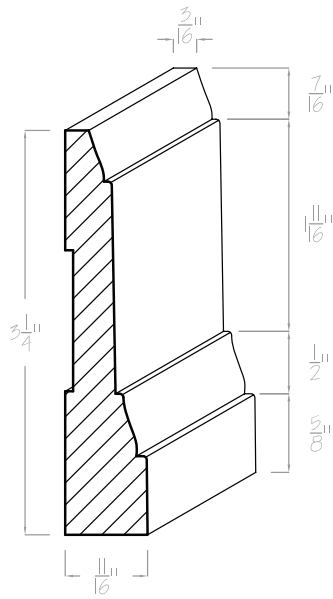
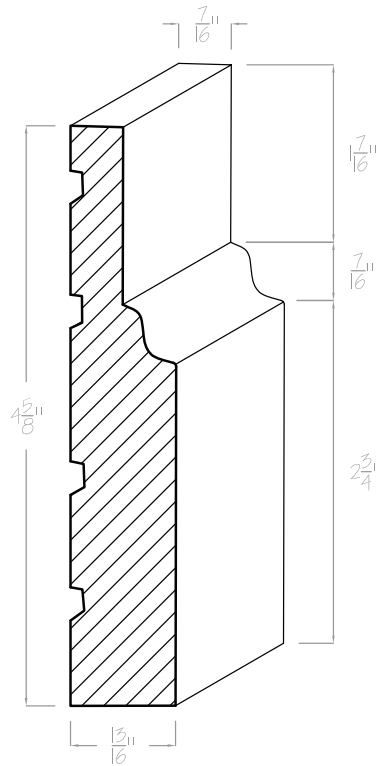


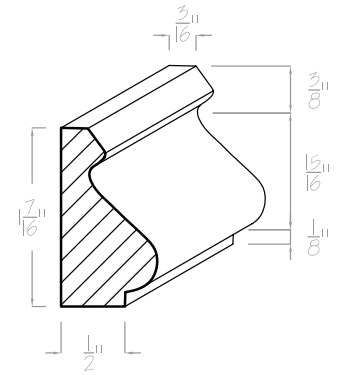
BASEBOARD MOLDING



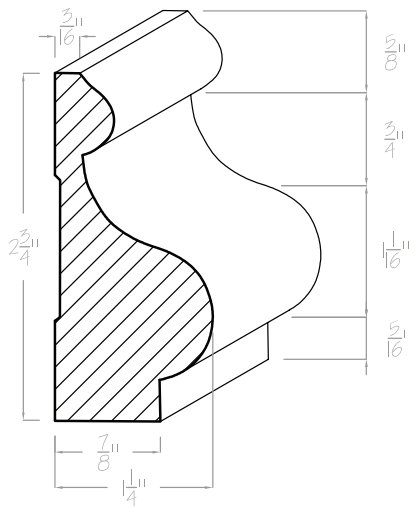
C-280



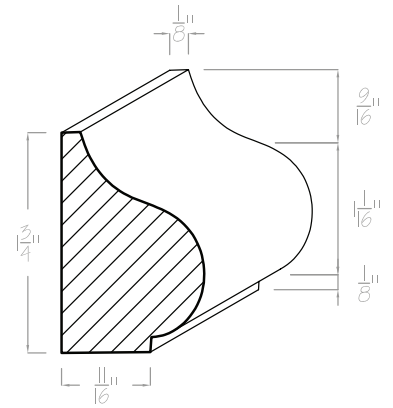
C-403



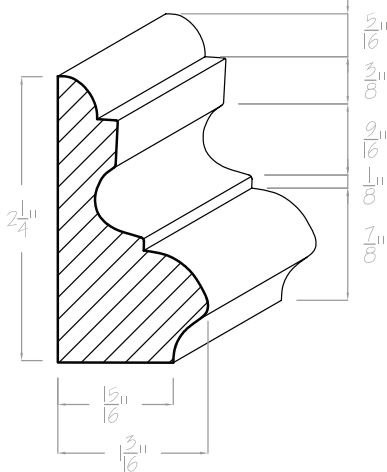
**S-405
BASE CAP**



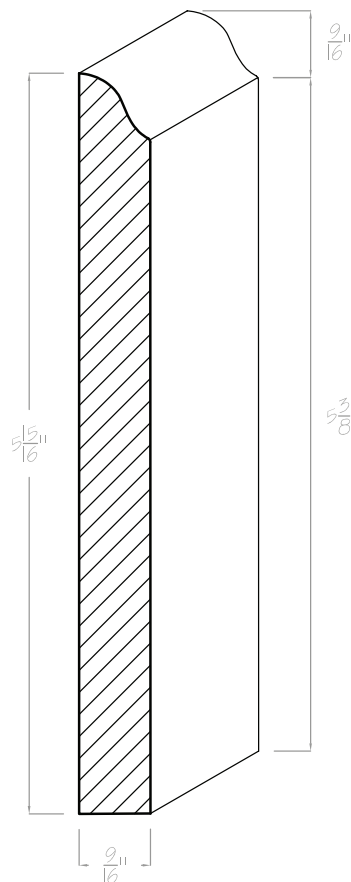
**C-401
BASE CAP**



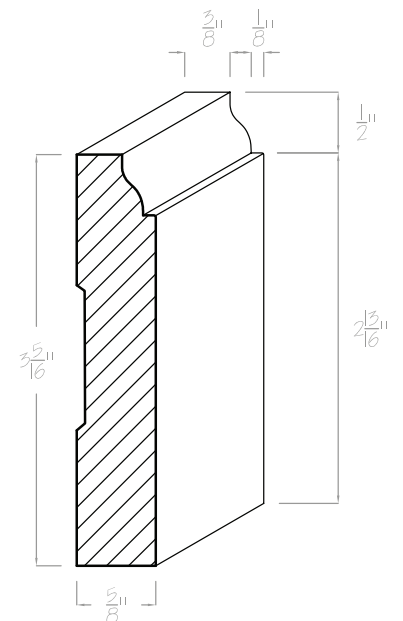
**C-406
BASE CAP**



**C-402
BASE CAP**

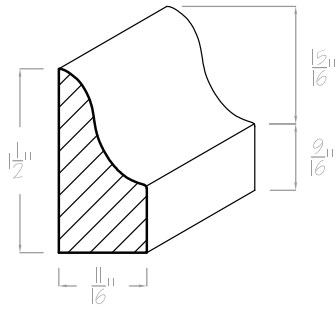


C-404

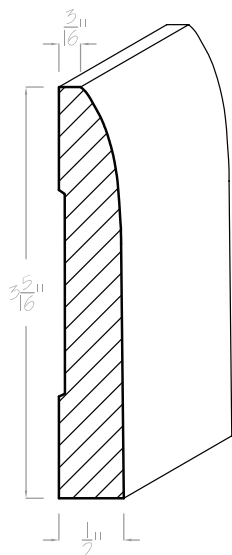


S-407

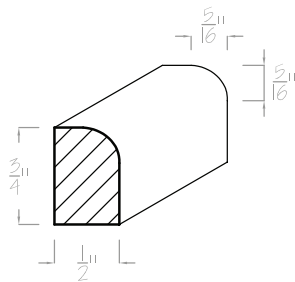
BASEBOARD MOLDING



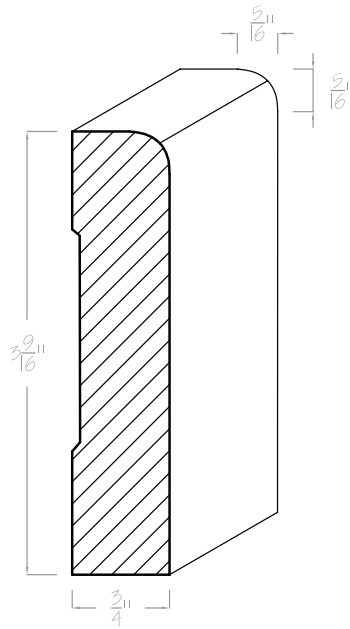
C-408
BASE SHOE



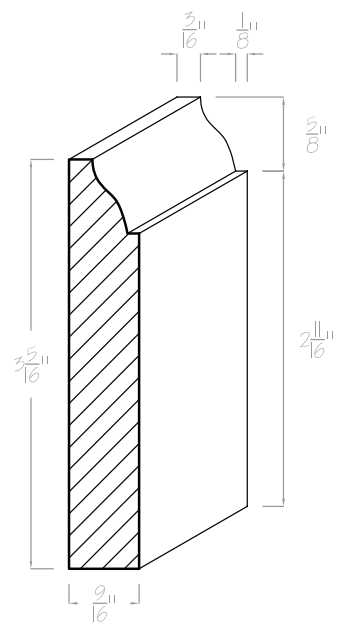
C-409



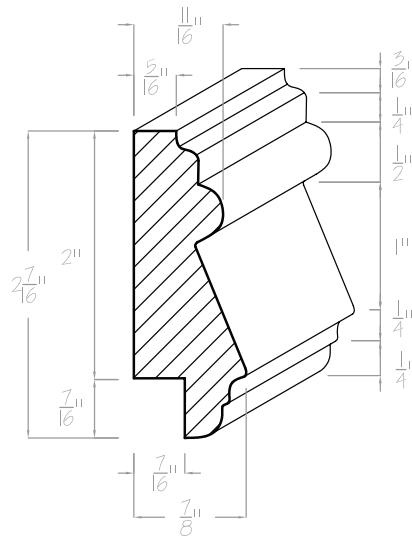
S-411
BASE SHOE



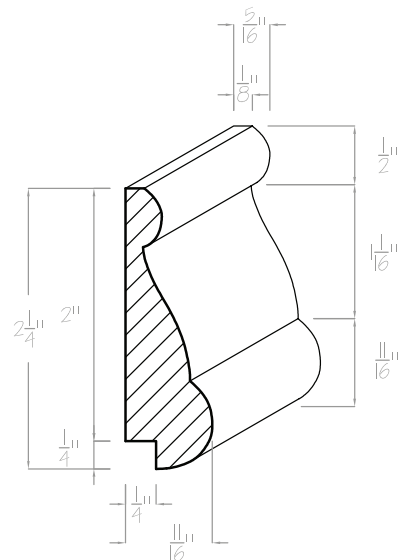
C-412



C-414

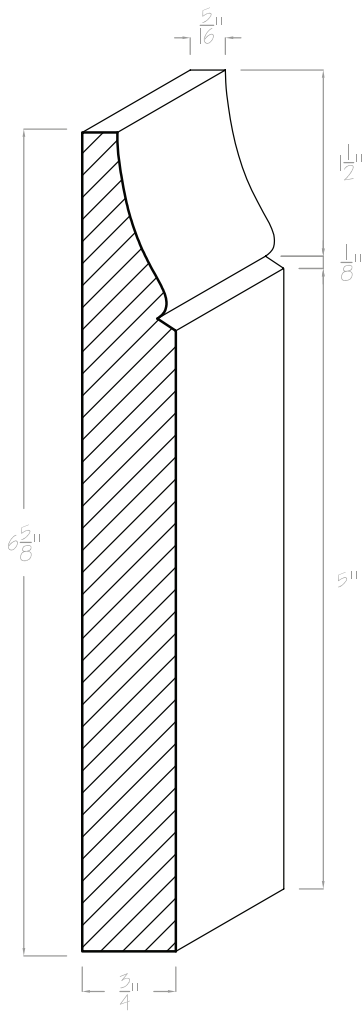


C-413
BASE CAP

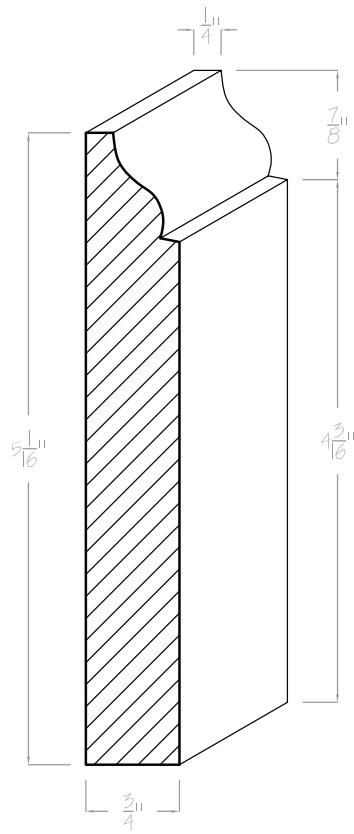


C-415

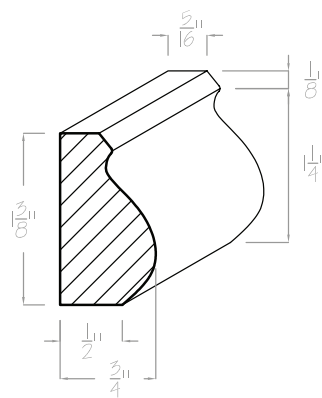
BASEBOARD MOLDING



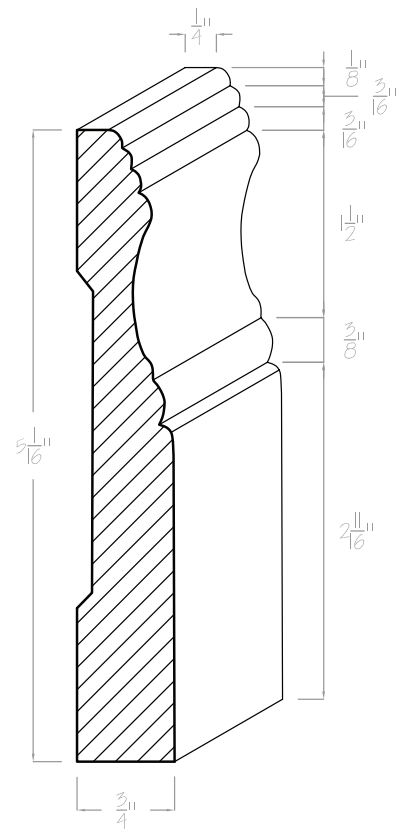
C-416



C-417

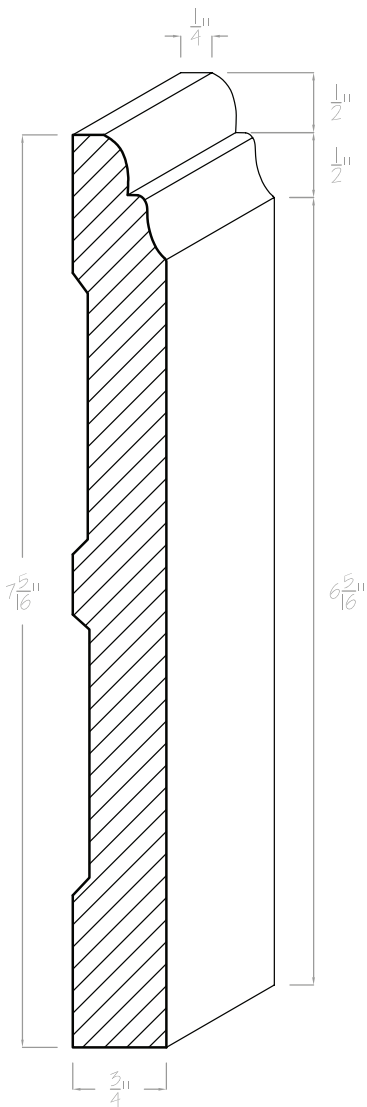


C-418

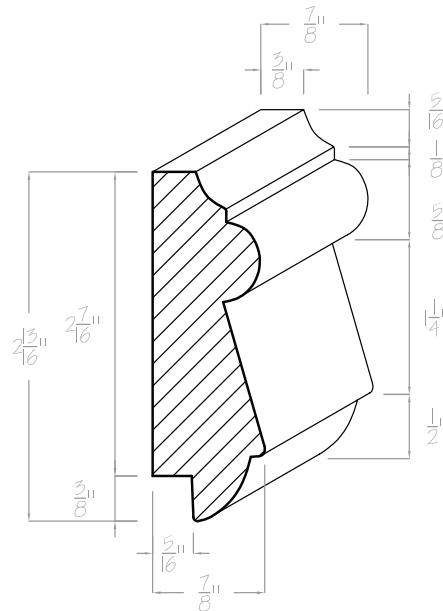


C-419

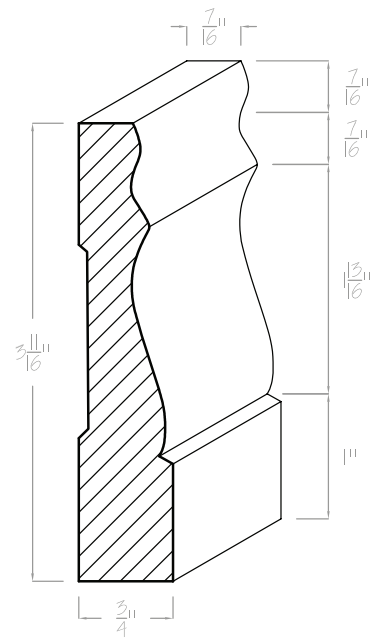
BASEBOARD MOLDING



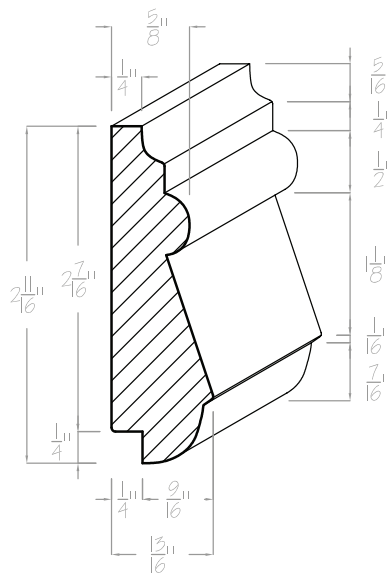
C-420



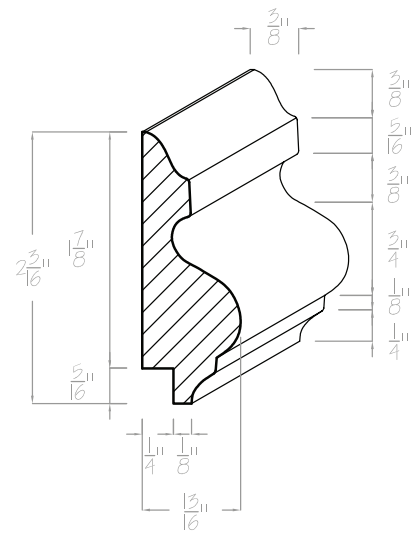
**C-422
BASE CAP**



C-425

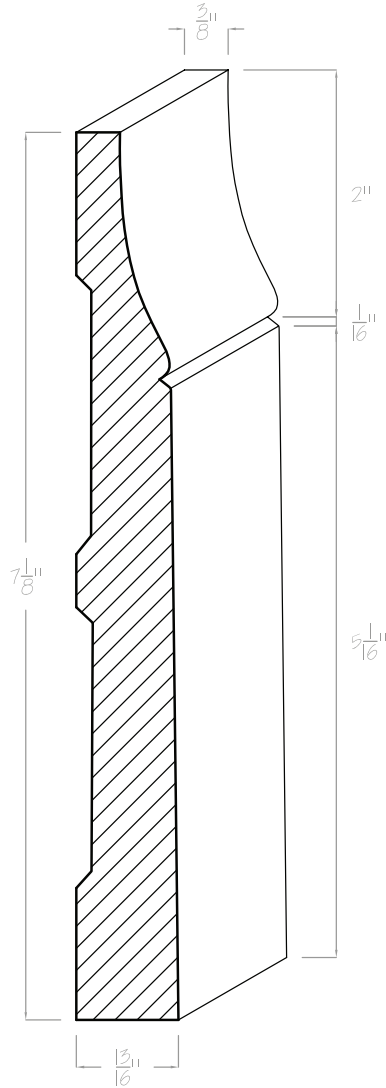


C-424

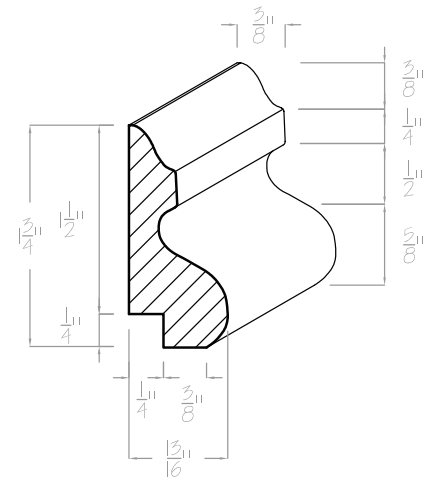


**C-428
BASE CAP**

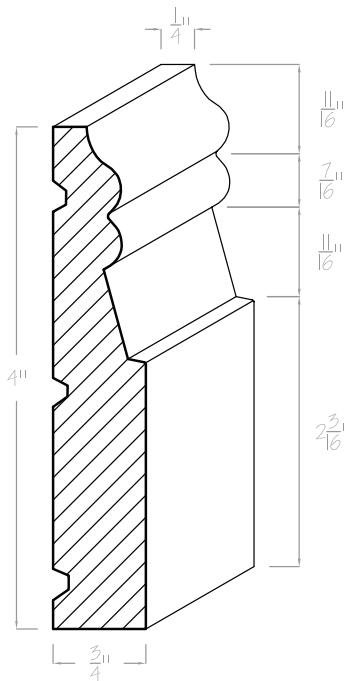
BASEBOARD MOLDING



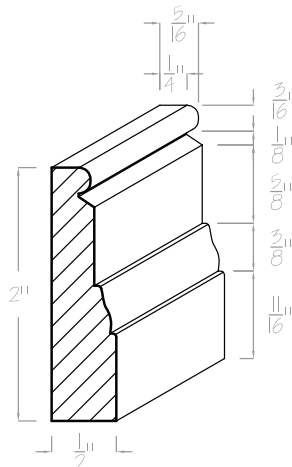
C-430
VARIOUS HEIGHTS
AVAILABLE



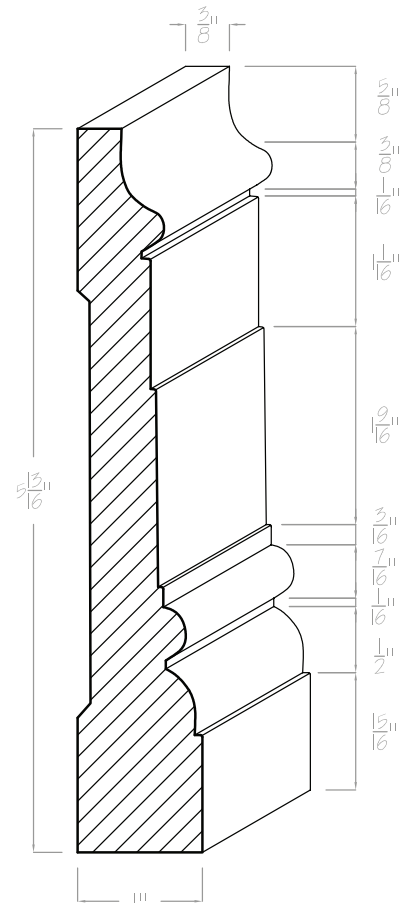
C-432
BASE CAP



C-429
VARIOUS HEIGHTS
AVAILABLE

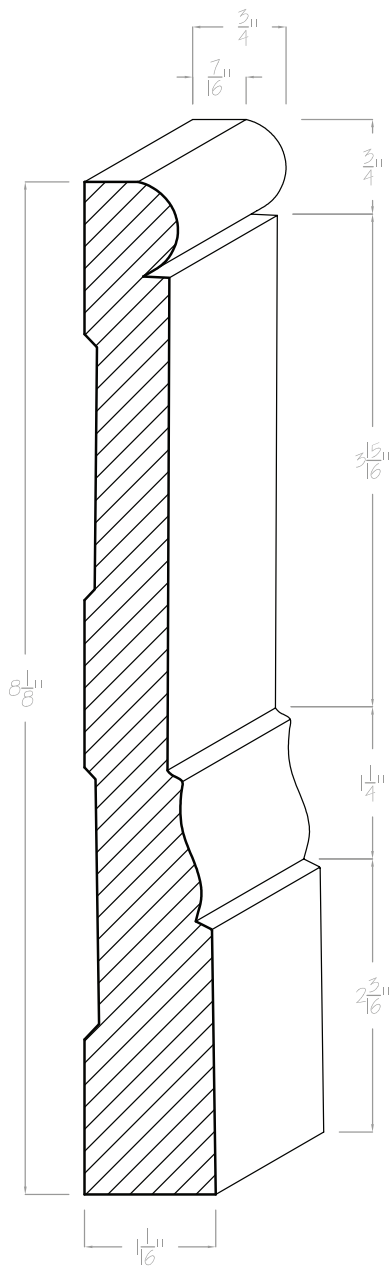


C-431

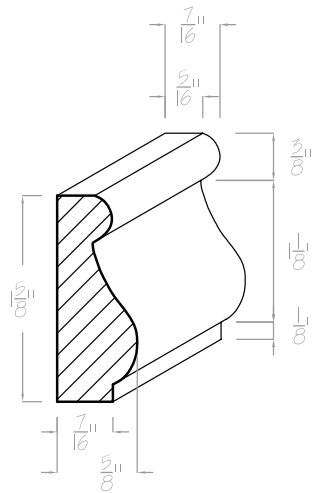


C-433

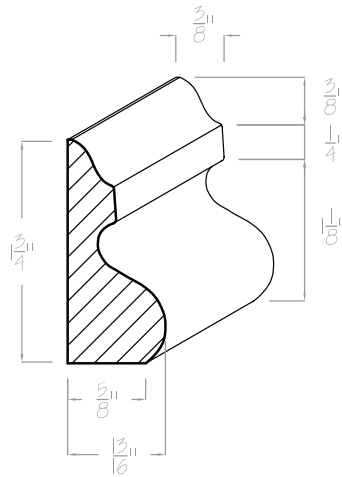
BASEBOARD MOLDING



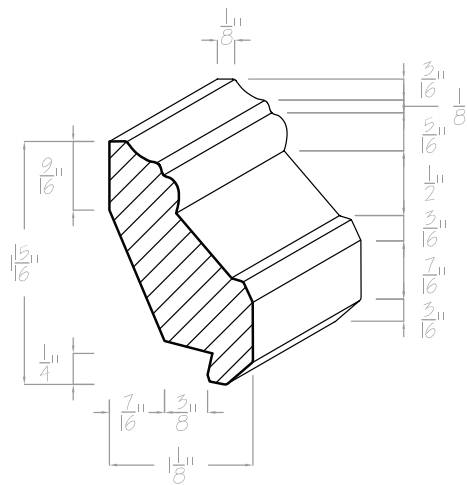
C-434A



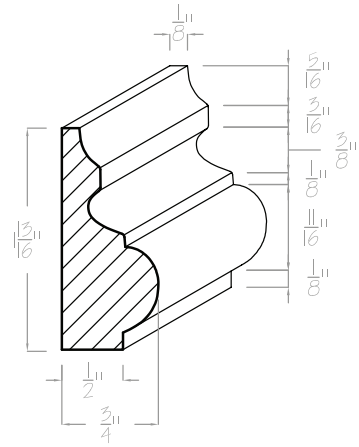
**C-434
BASE CAP**



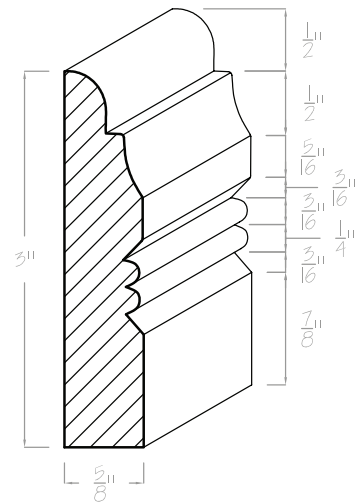
**C-435
BASE CAP**



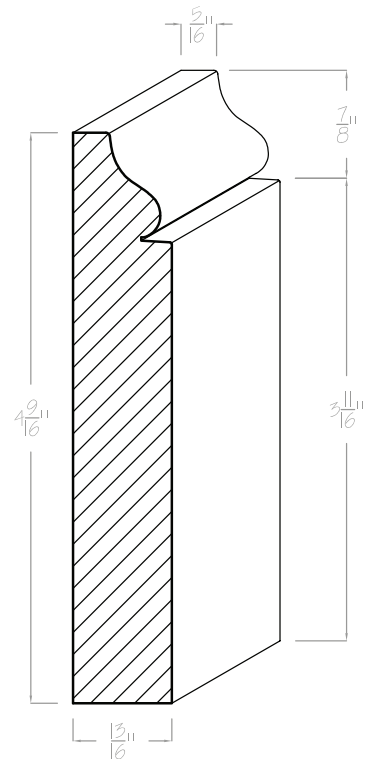
**C-436
BASE CAP**



C-437

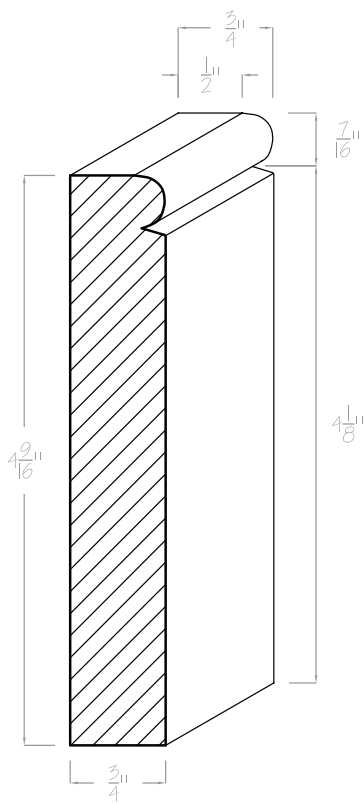


C-438

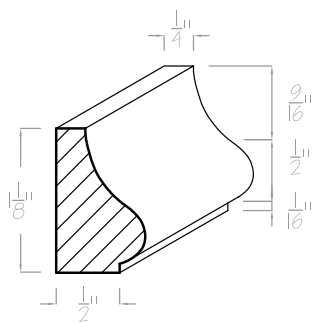


S-440

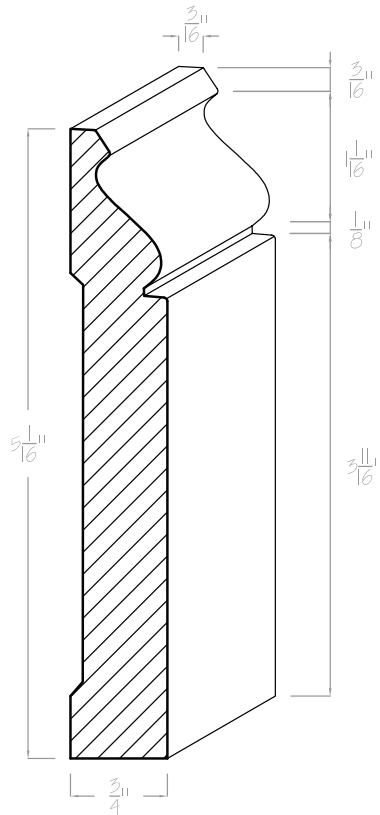
BASEBOARD MOLDING



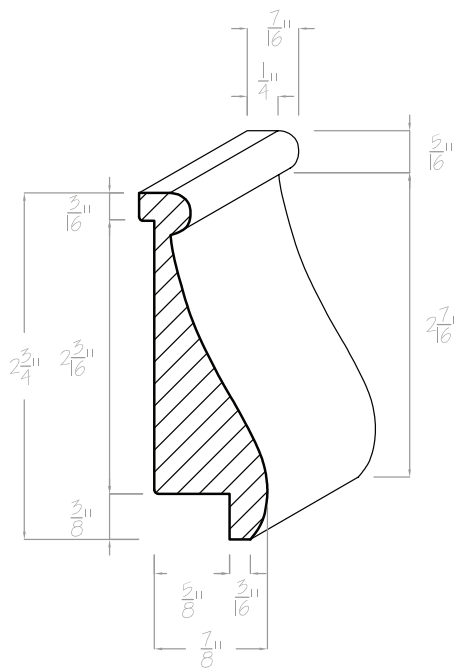
S-441



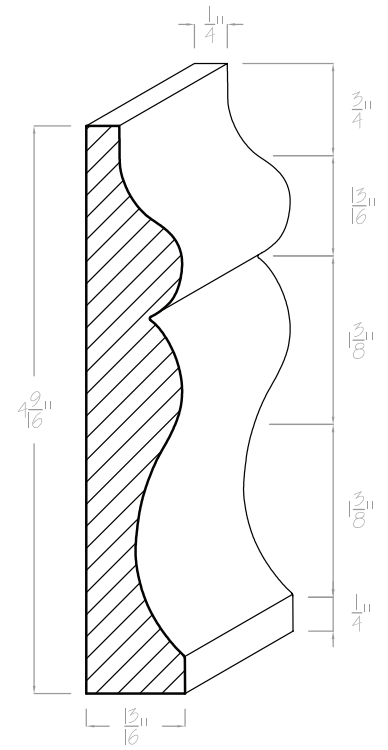
S-442
BASE CAP



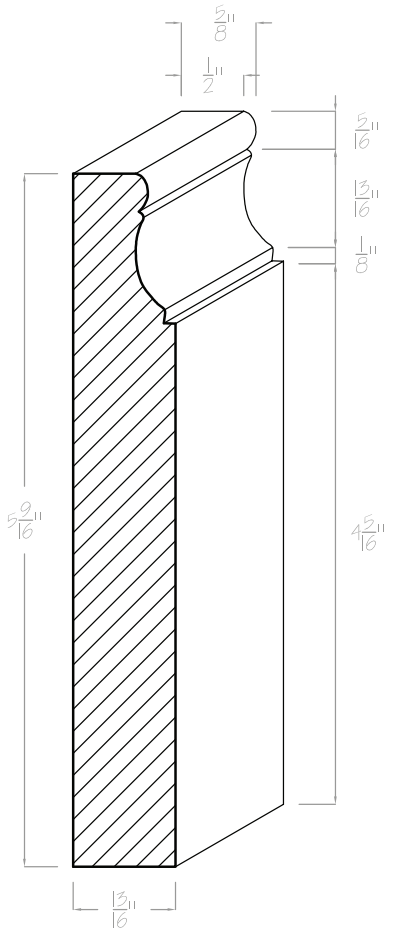
C-443



C-444
BASE CAP

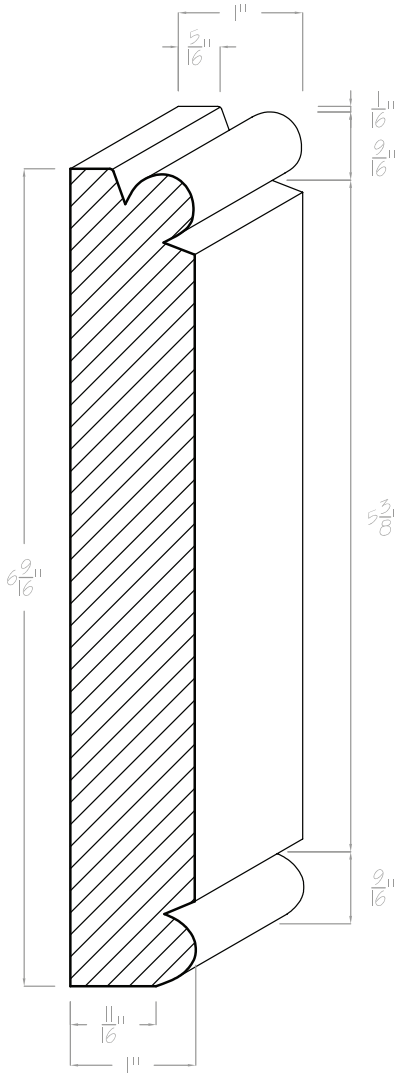


C-445

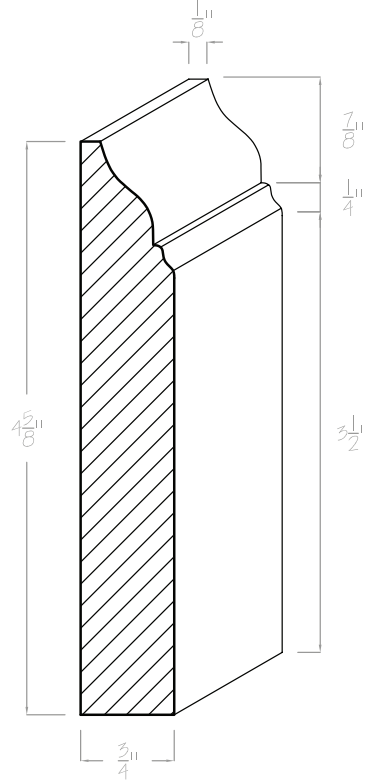


C-446

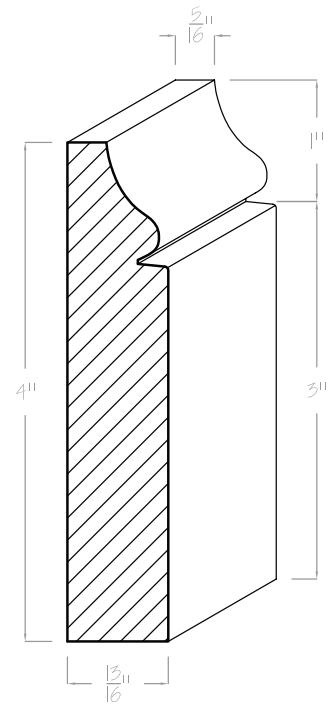
BASEBOARD MOLDING



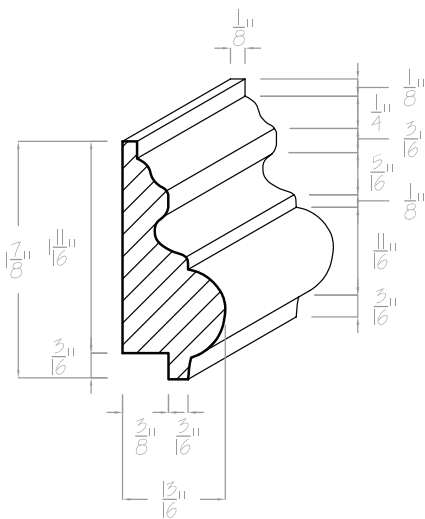
C-447



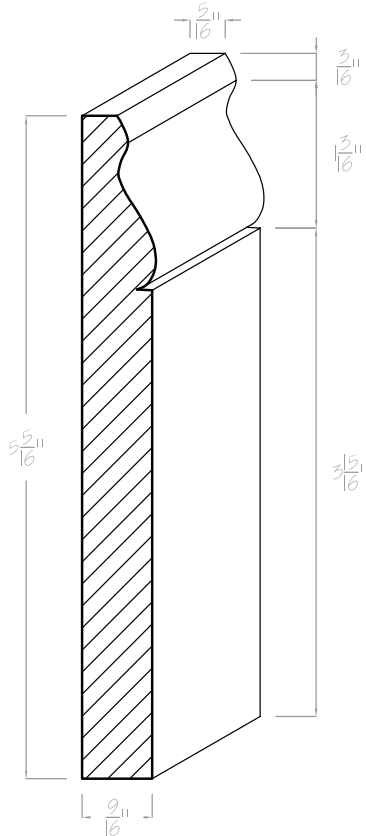
C-449



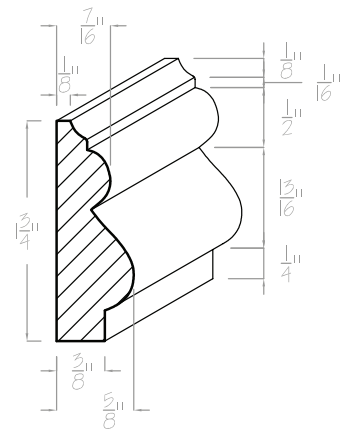
C-451



C-448
BASE CAP

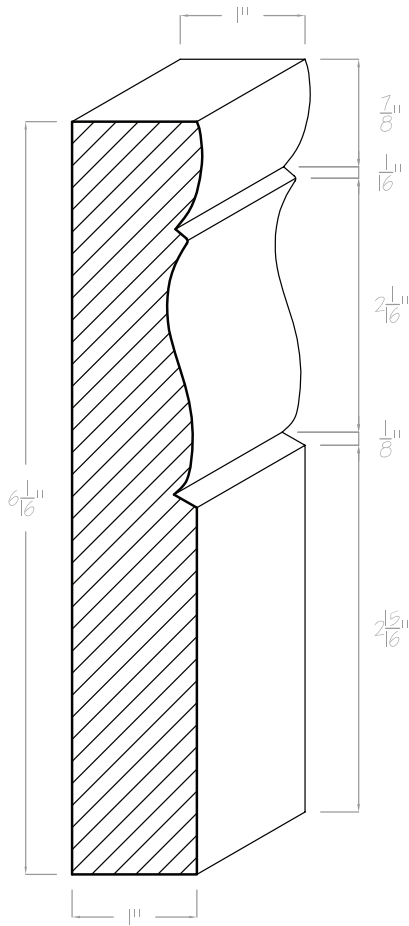


C-450

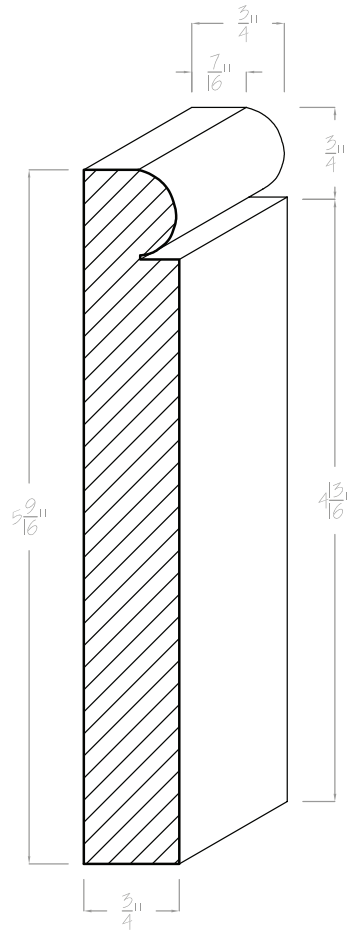


C-452

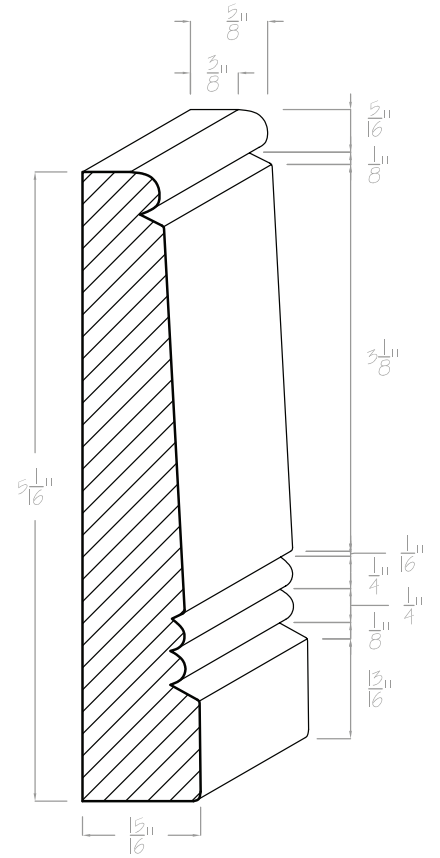
BASEBOARD MOLDING



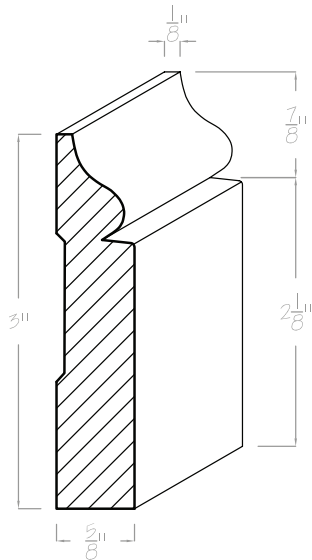
C-453
VARIOUS HEIGHTS
AVAILABLE



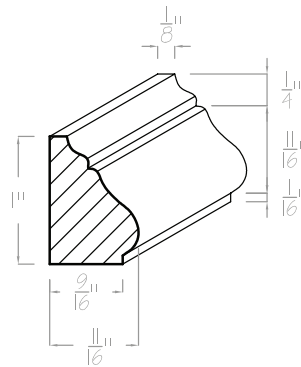
C-455



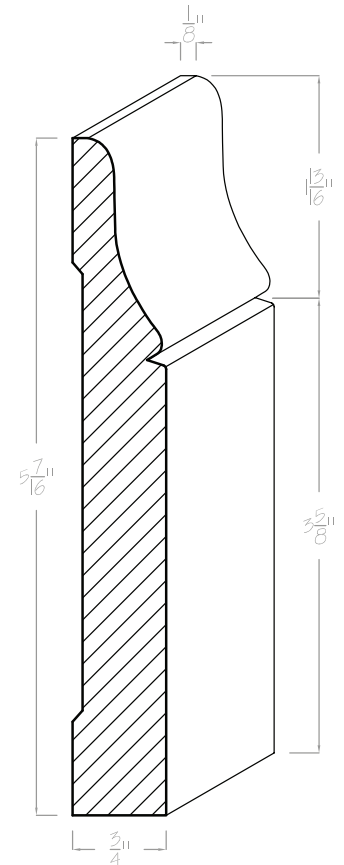
C-457



C-454

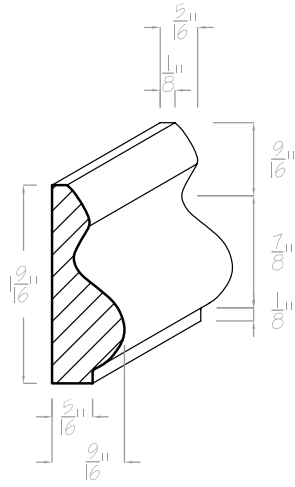


S-456
BASE CAP

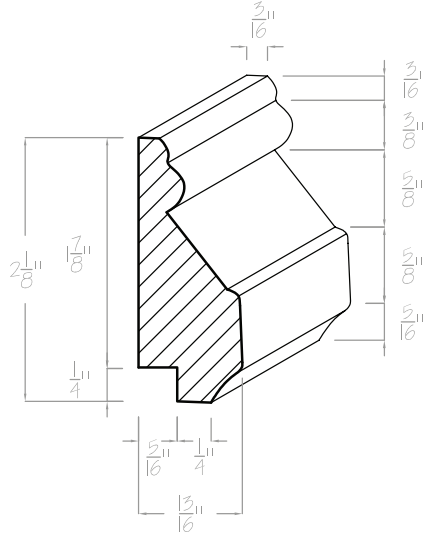


C-458

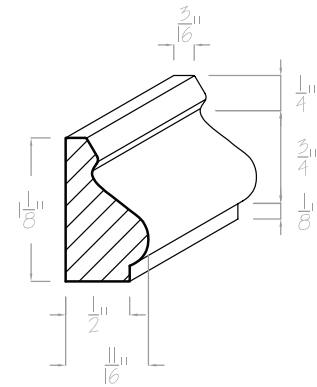
BASEBOARD MOLDING



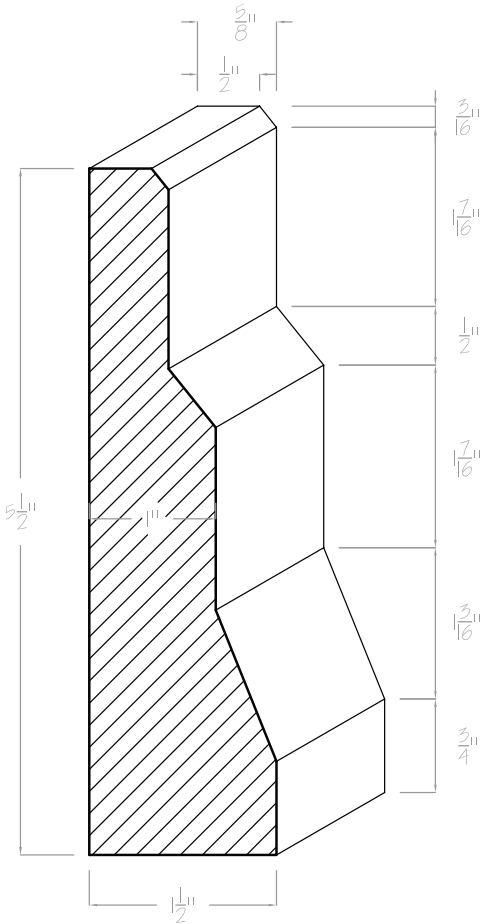
C-459



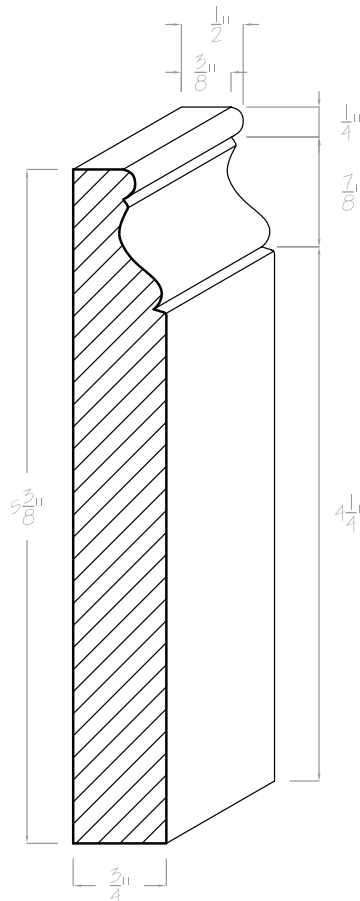
C-462



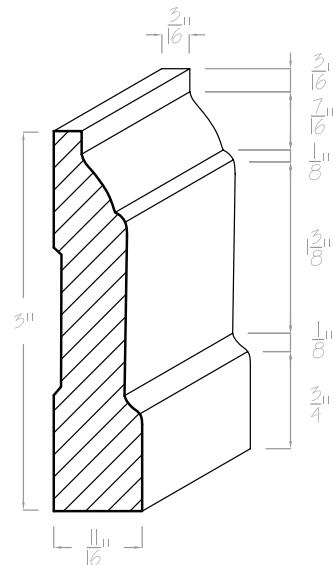
C-464



C-461

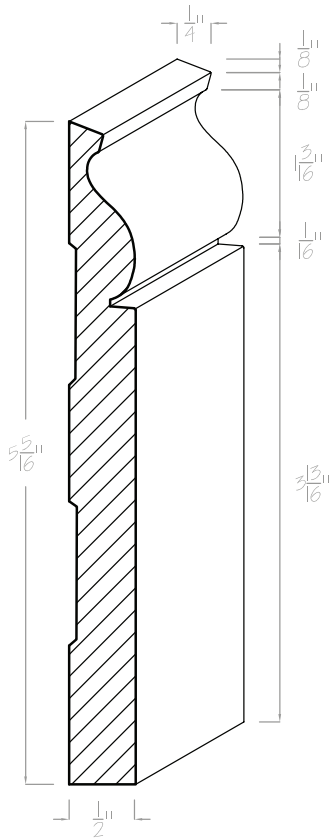


C-463

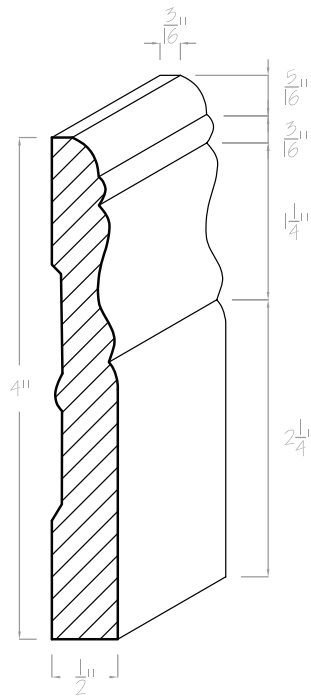


C-465

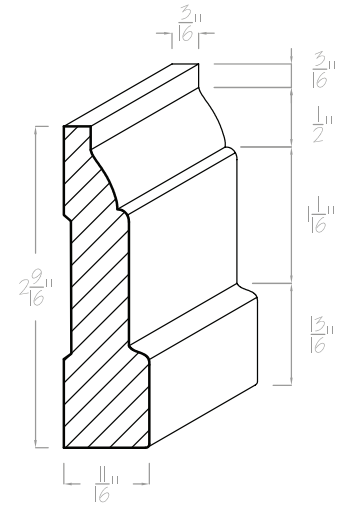
BASEBOARD MOLDING



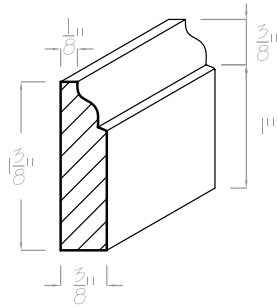
C-466



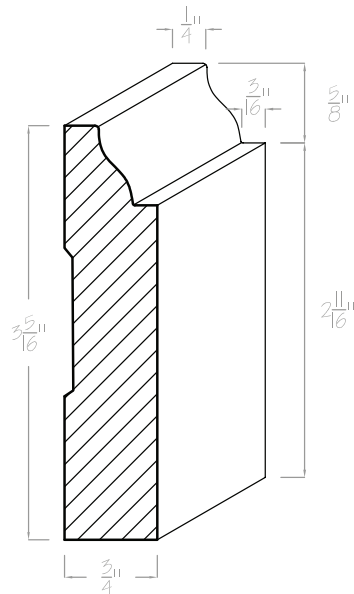
C-468



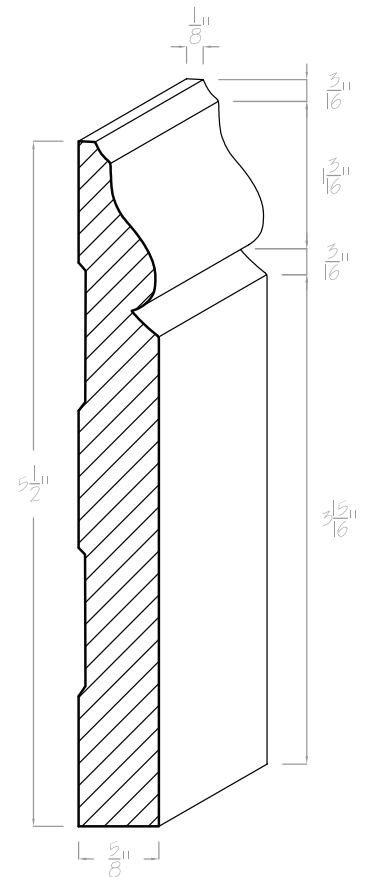
C-470



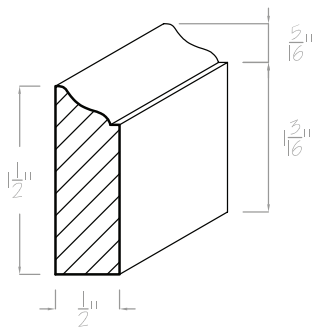
C-467



C-469

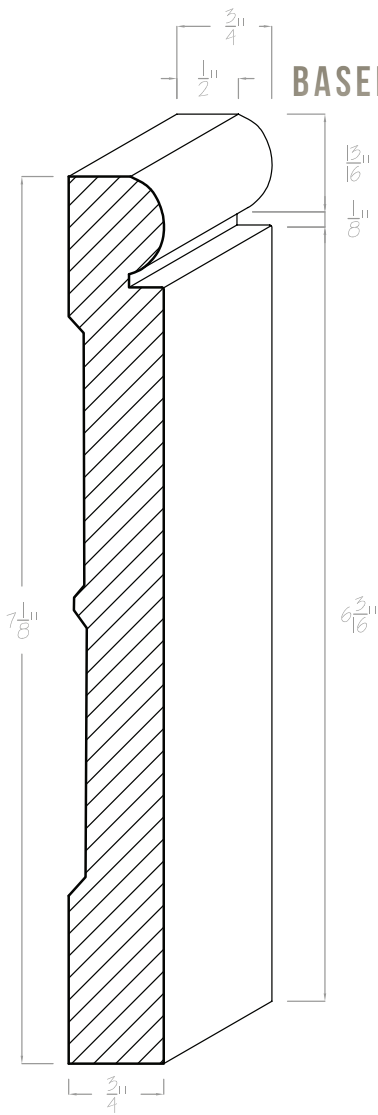


S-471

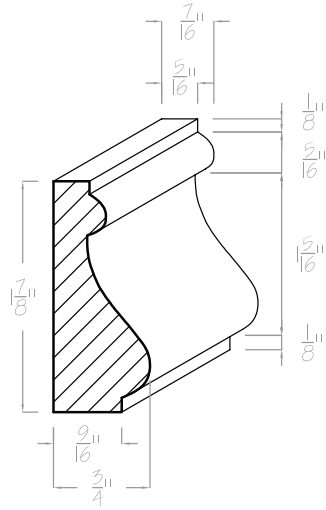


C-467A

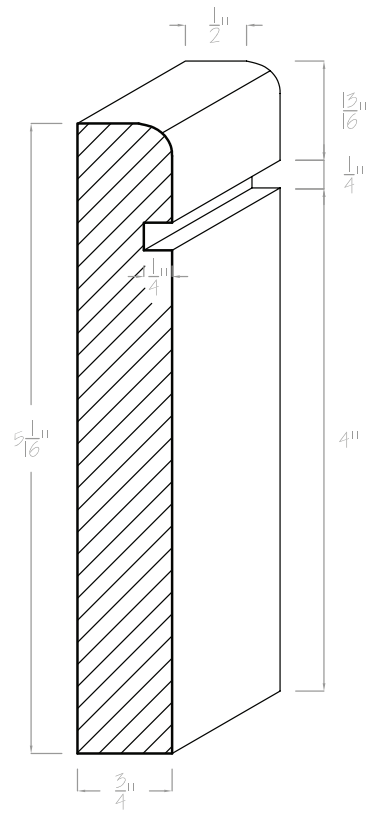
BASEBOARD MOLDING



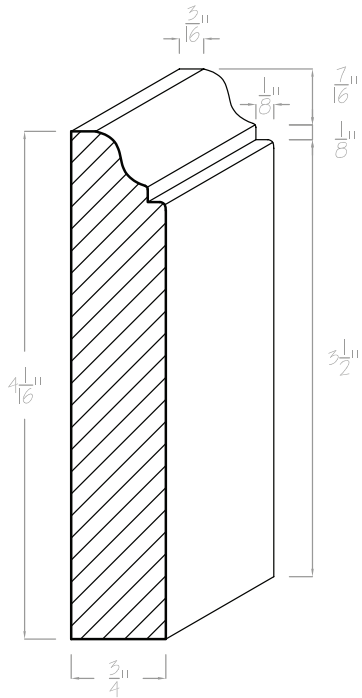
C-472



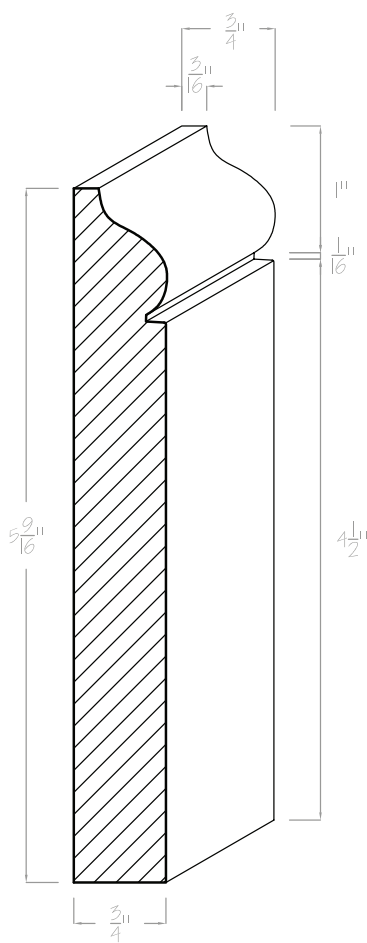
C-474



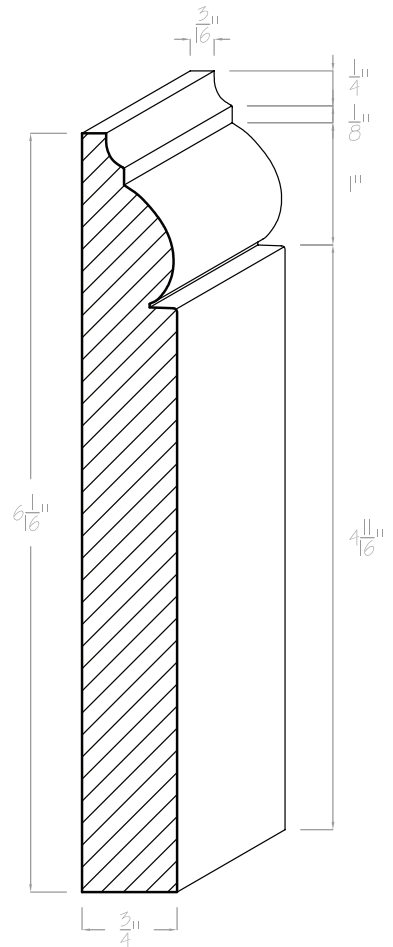
C-476



S-473

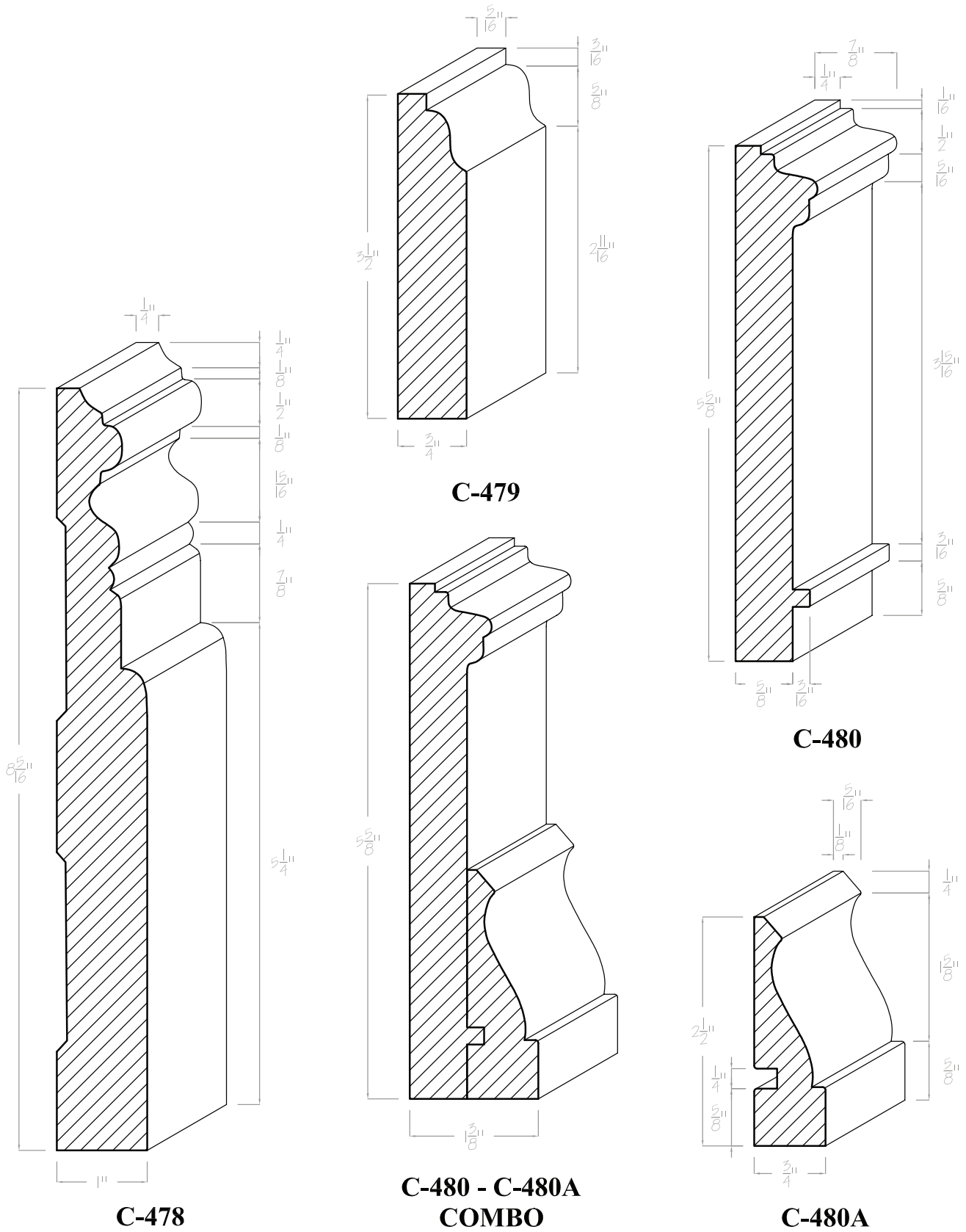


C-475

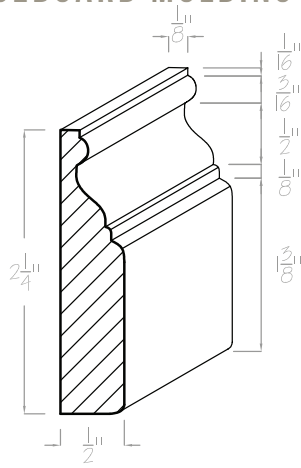


C-477

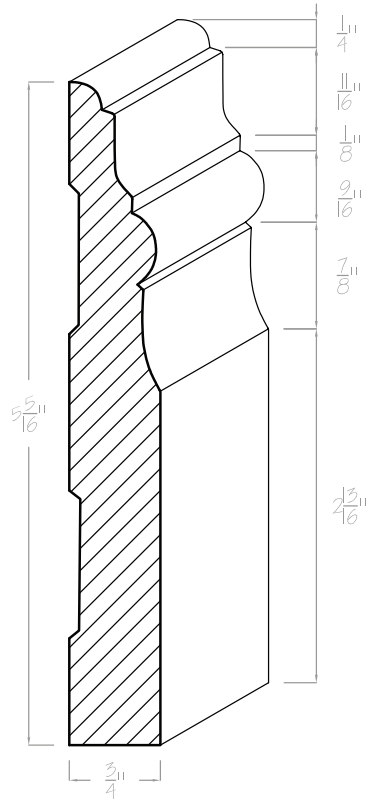
BASEBOARD MOLDING



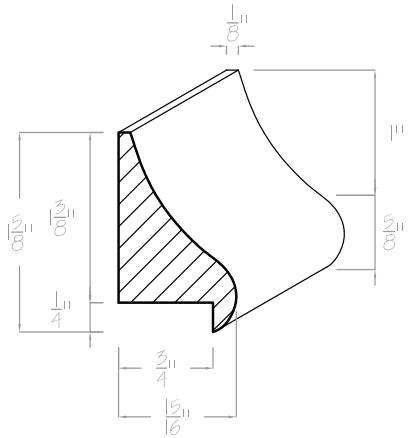
BASEBOARD MOLDING



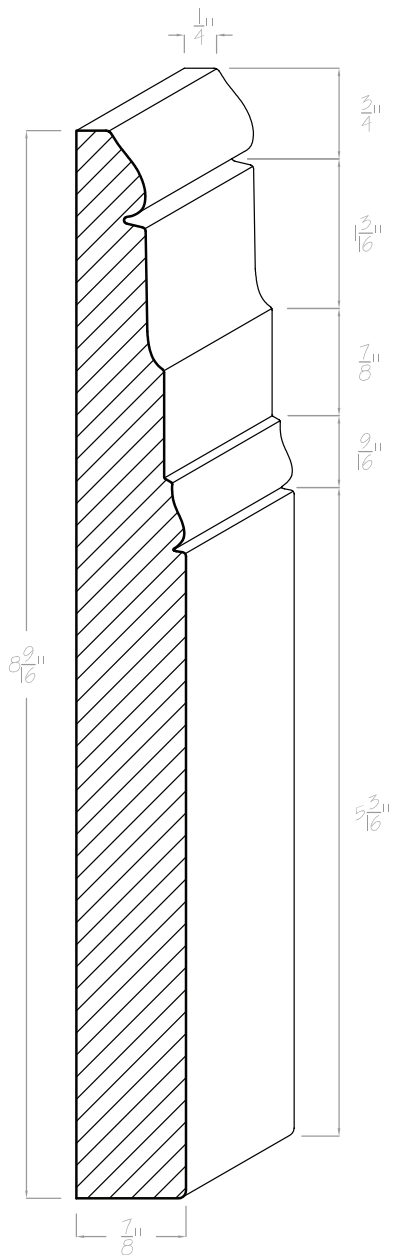
C-481



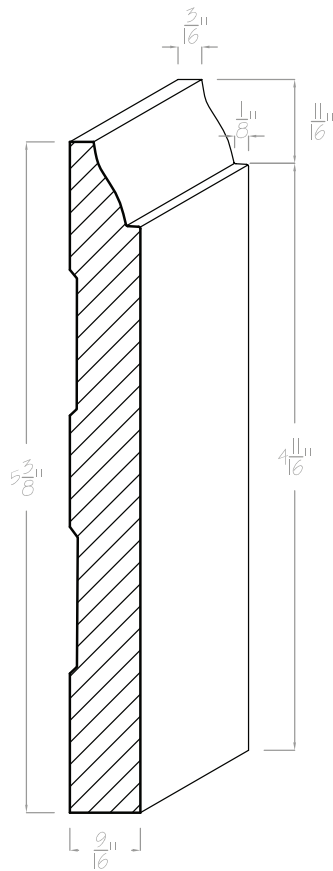
C-484



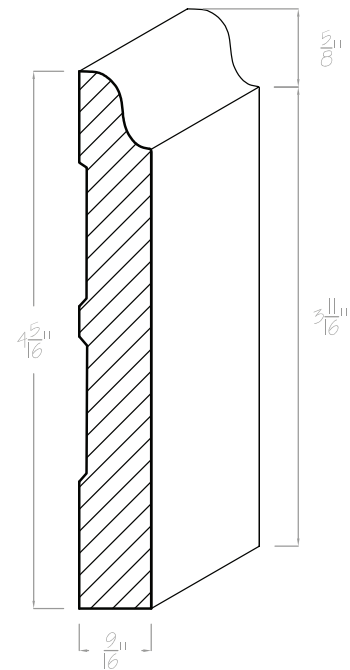
C-486



C-482

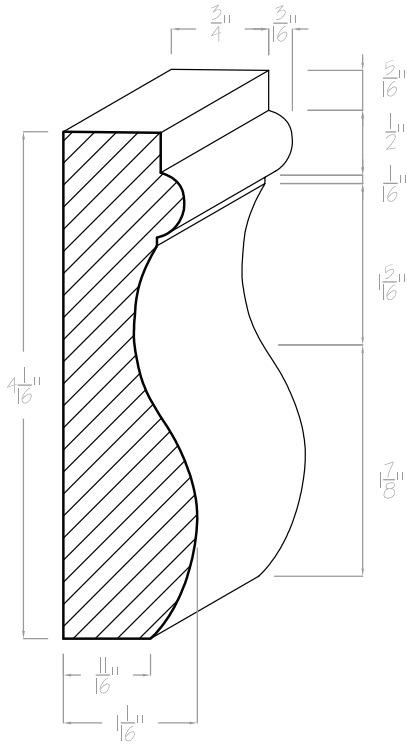


C-485
VARIOUS HEIGHTS
AVAILABLE, UP TO 6-1/2"

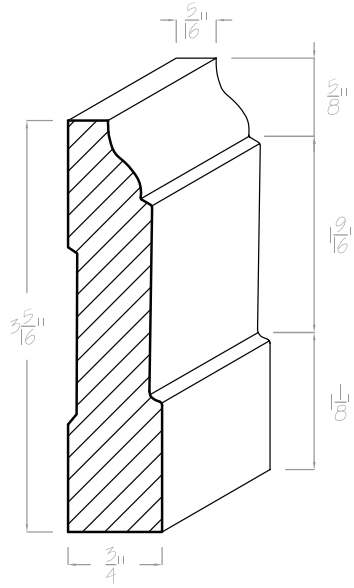


S-487

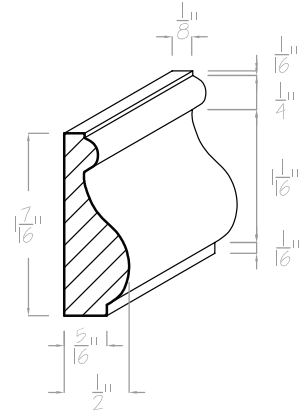
BASEBOARD MOLDING



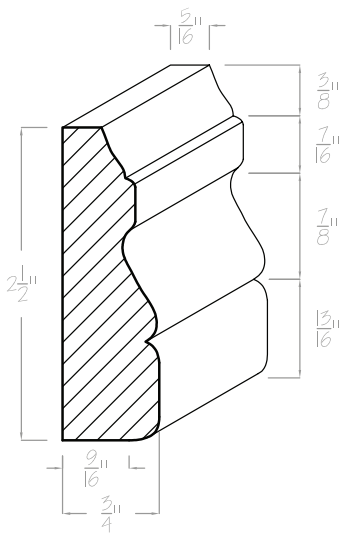
C-489



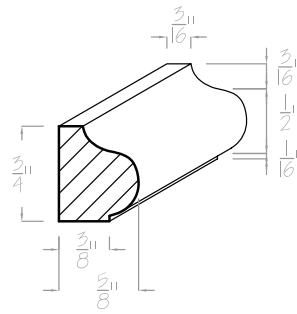
C-493



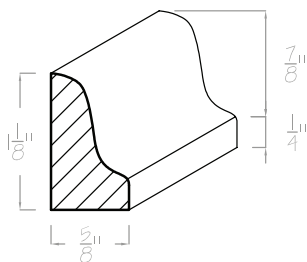
C-496



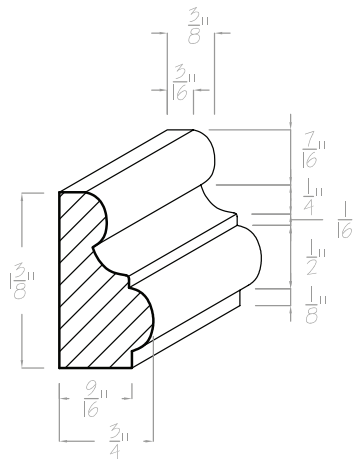
C-491



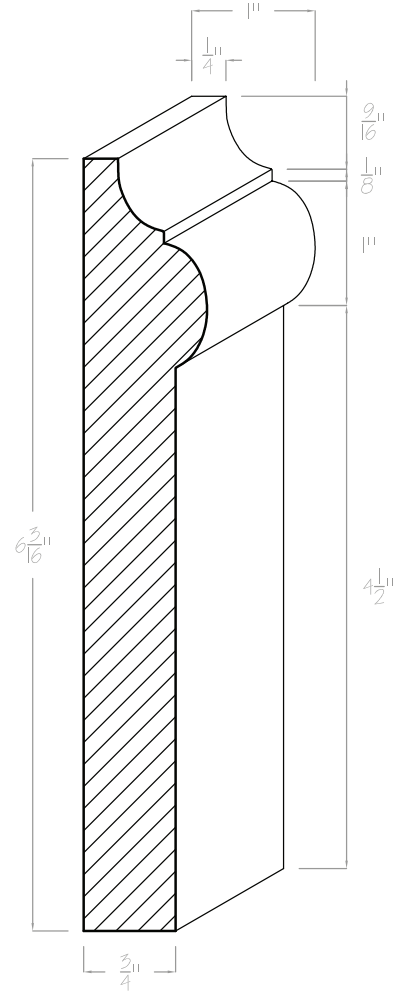
S-494



C-492

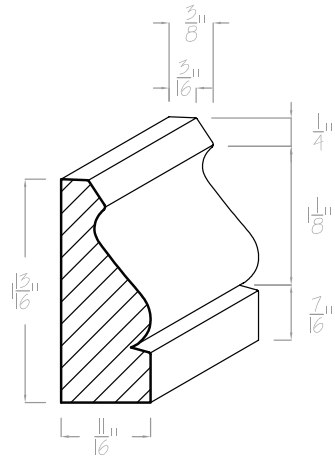


C-495

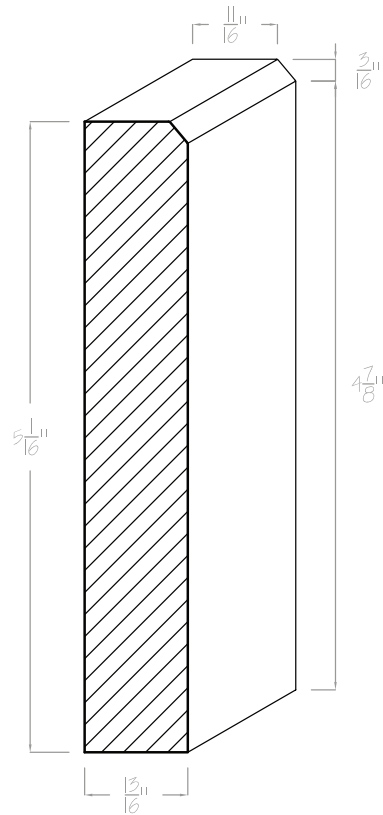


C-497

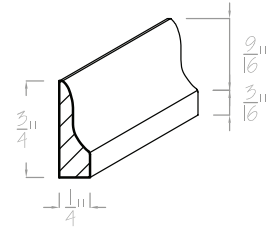
BASEBOARD MOLDING



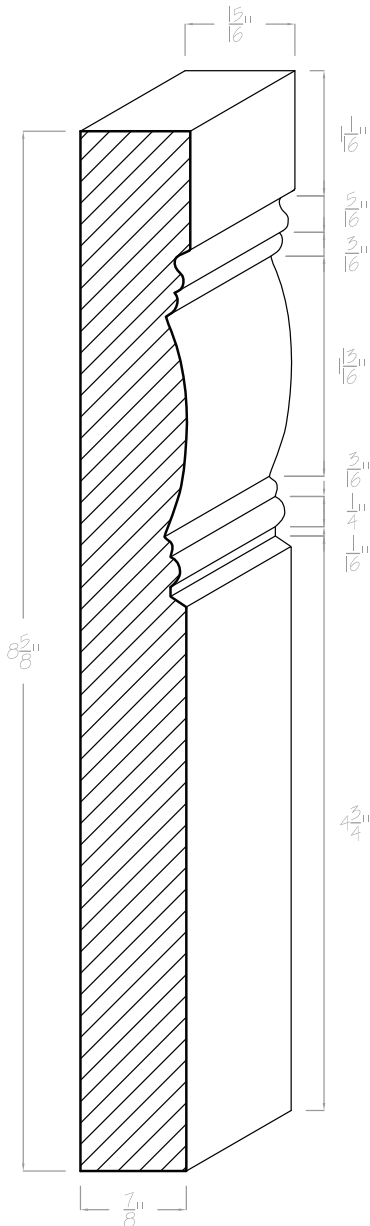
C-498



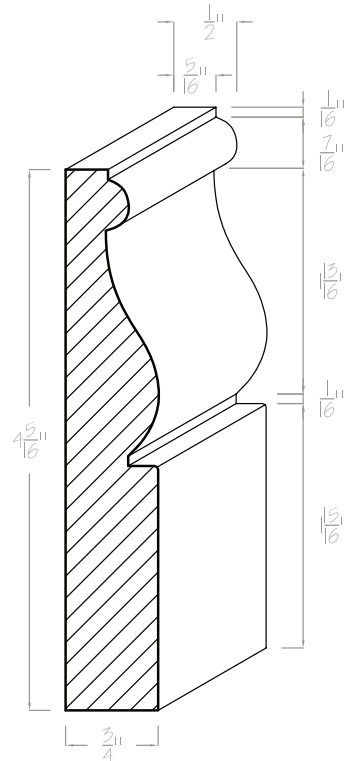
C-4001



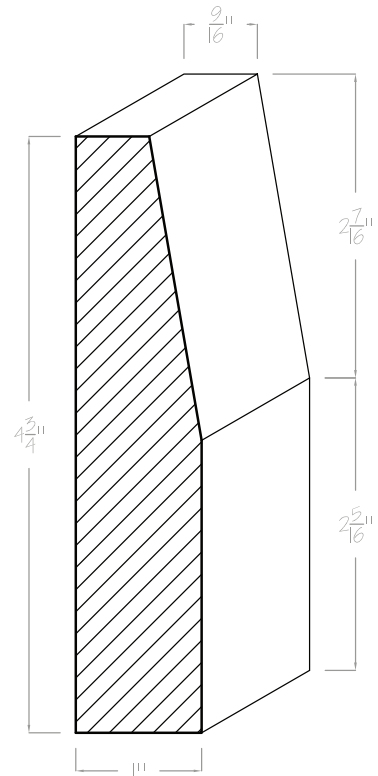
C-4003



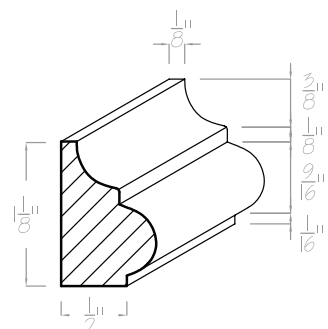
C-499
VARIOUS HEIGHTS
AVAILABLE



S-4002

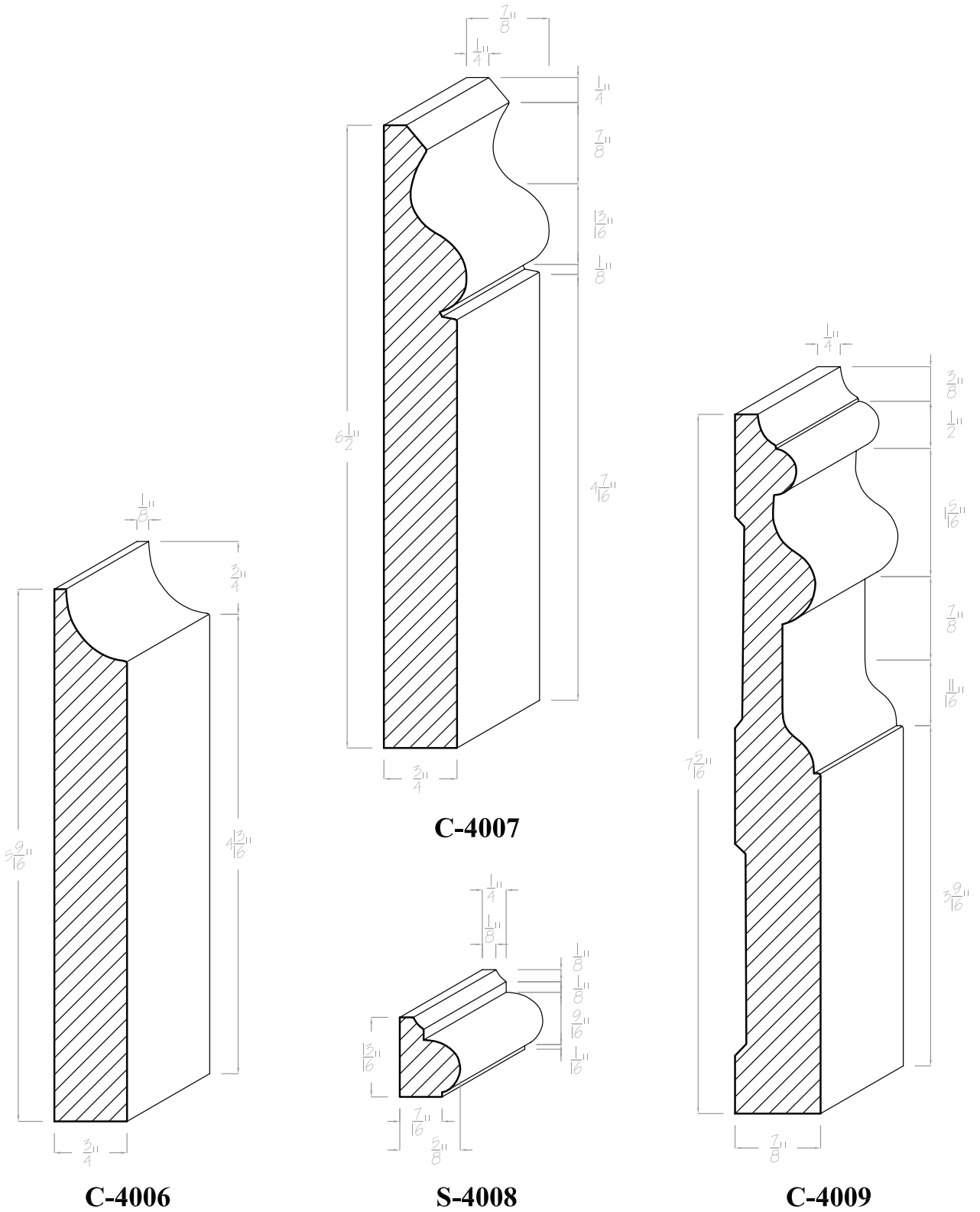


C-4004

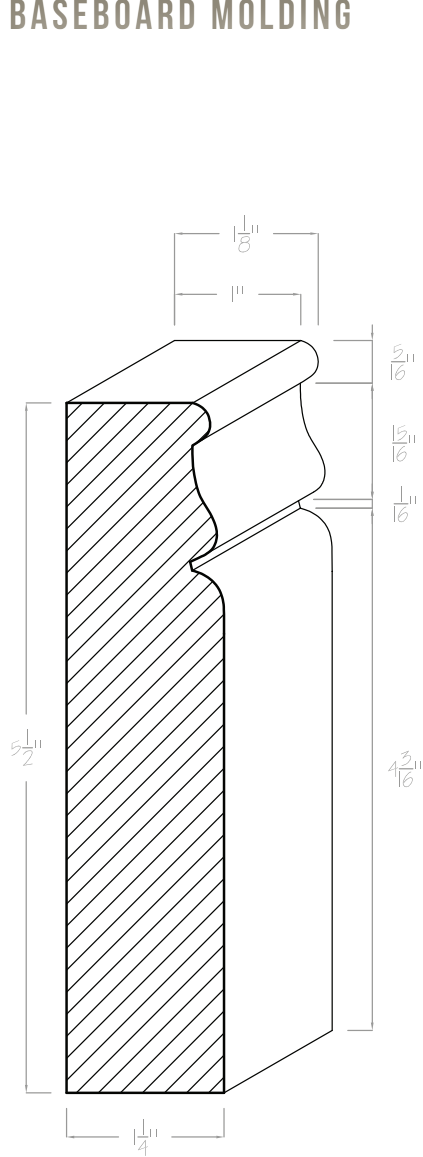


C-4005

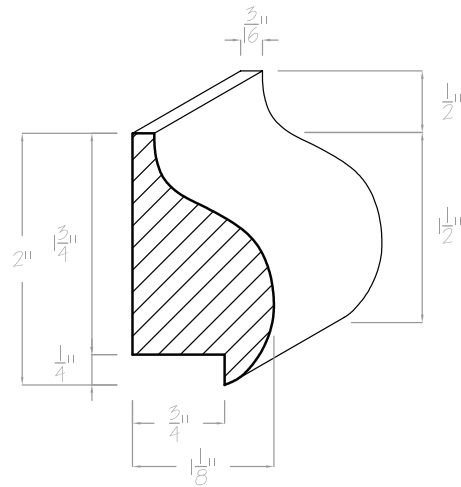
BASEBOARD MOLDING



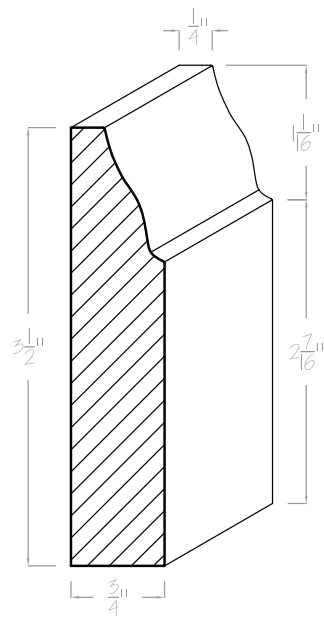
BASEBOARD MOLDING



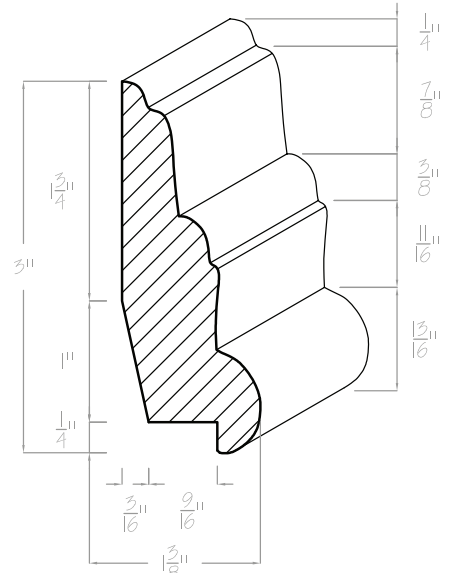
C-4010



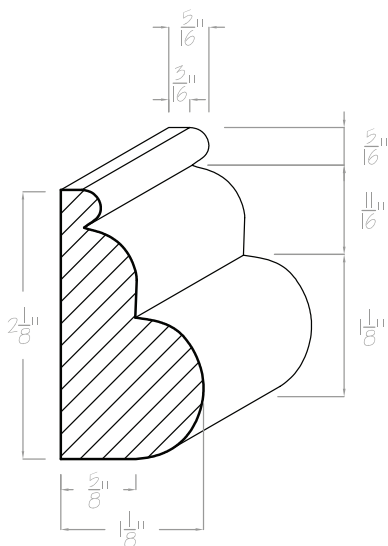
C-4012



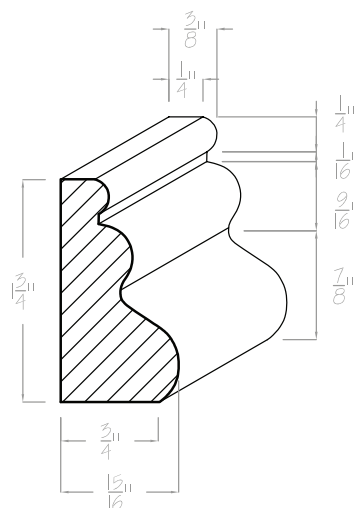
C-4013



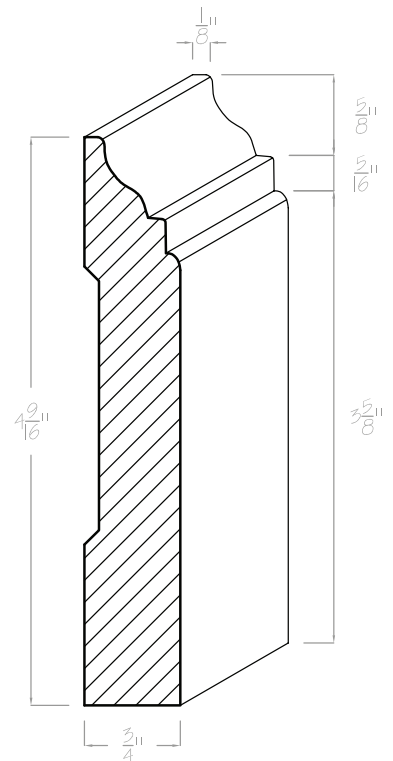
C-4015



C-4011

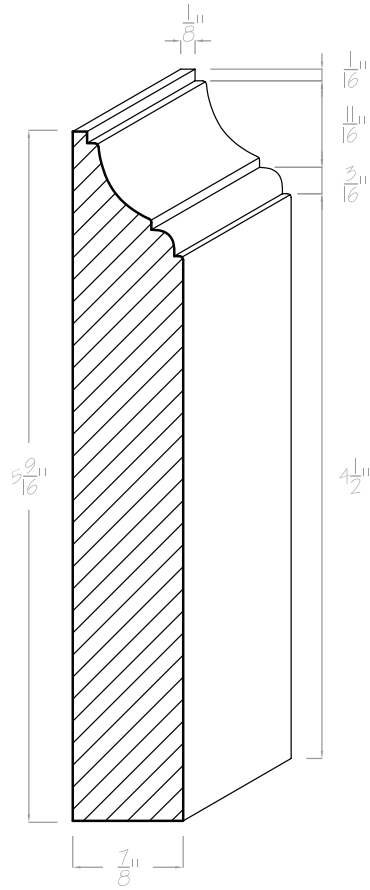


C-4014

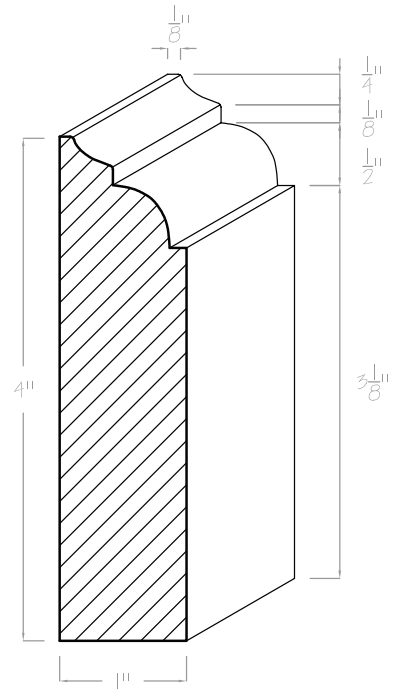


C-4016

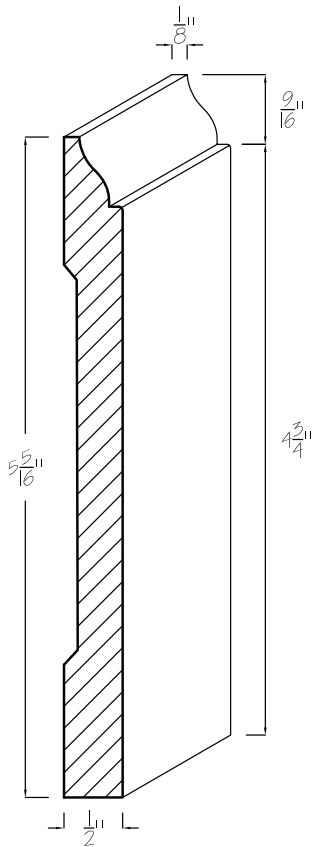
BASEBOARD MOLDING



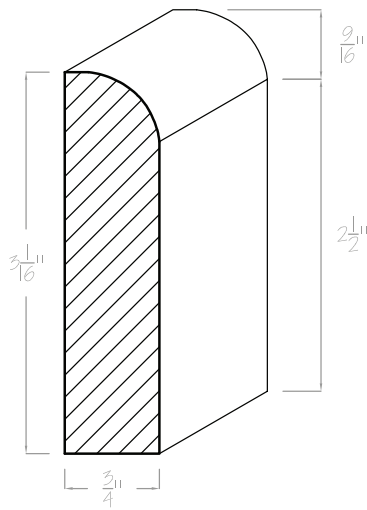
C-4018



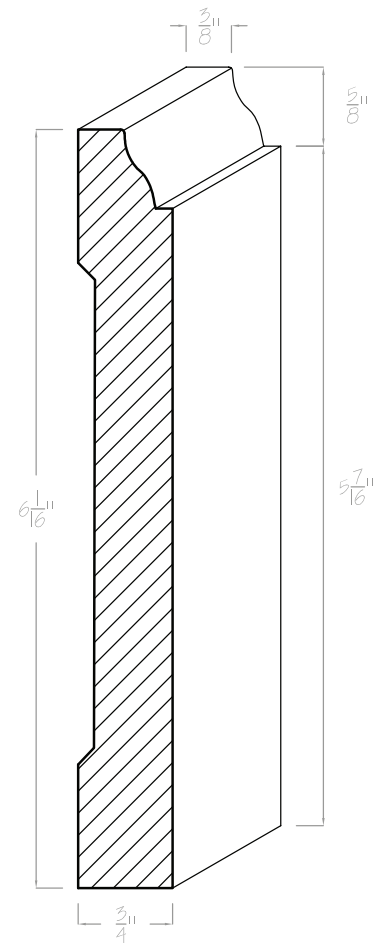
C-4020



C-4017

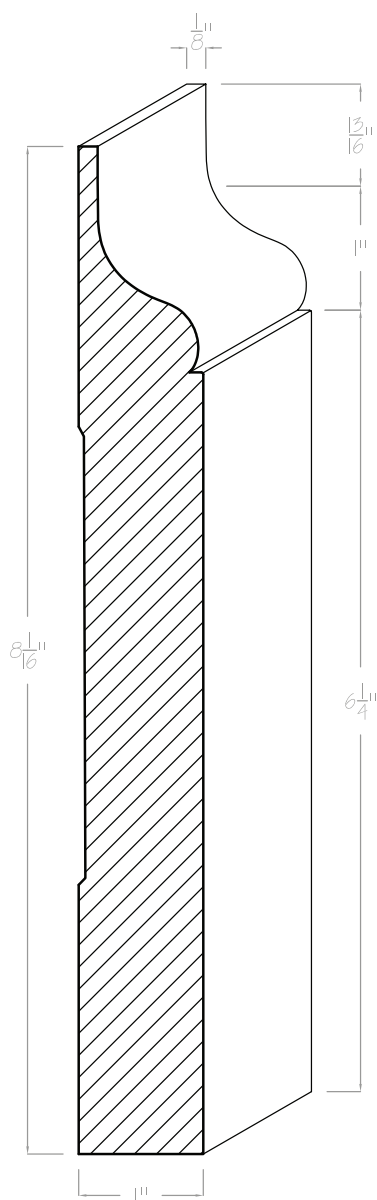


C-4019

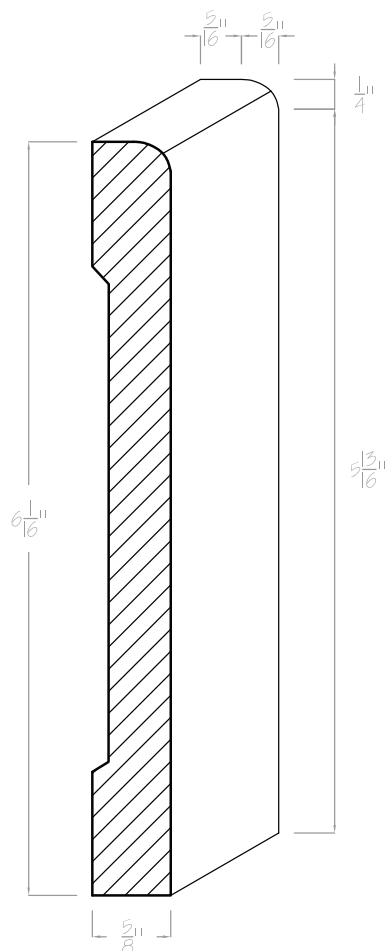


C-4021

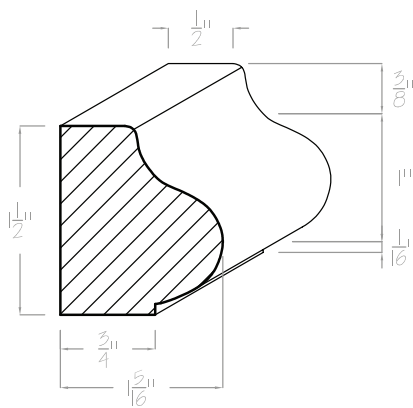
BASEBOARD MOLDING



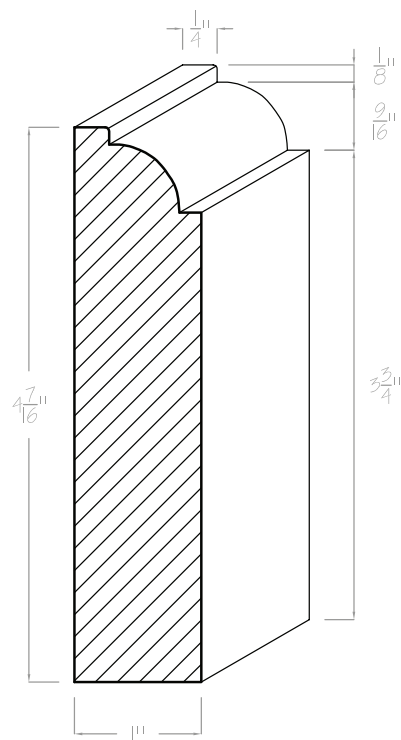
C-4022



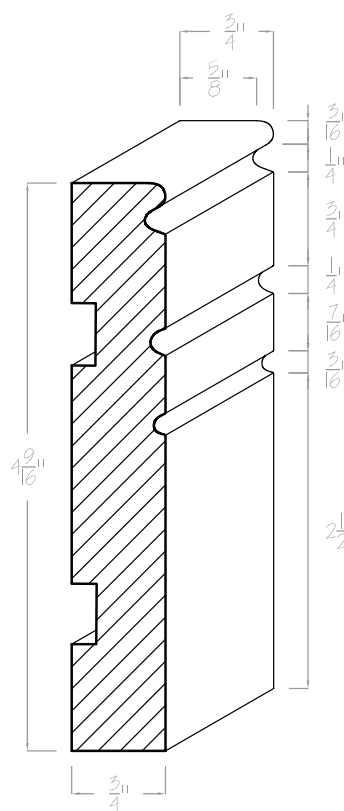
C-4023



C-4024

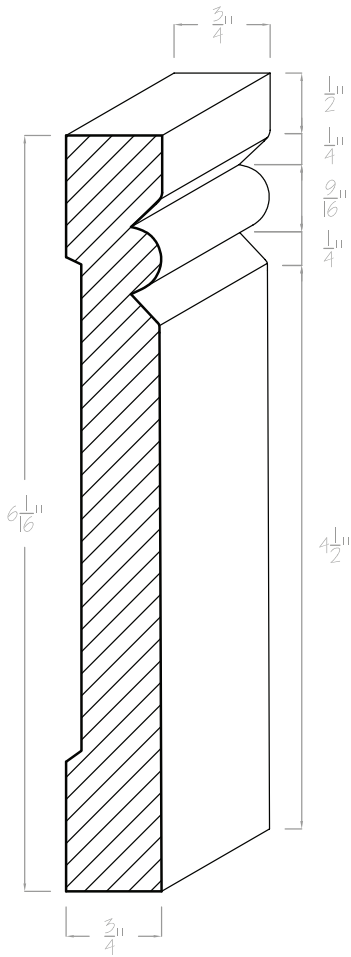


C-4025

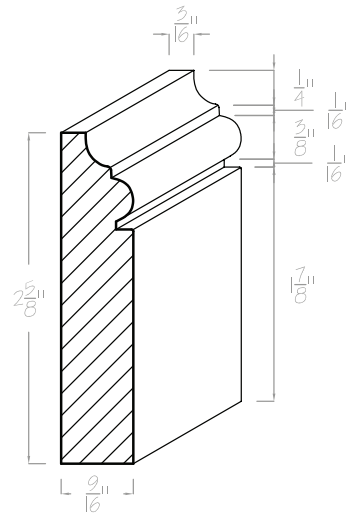


C-4026

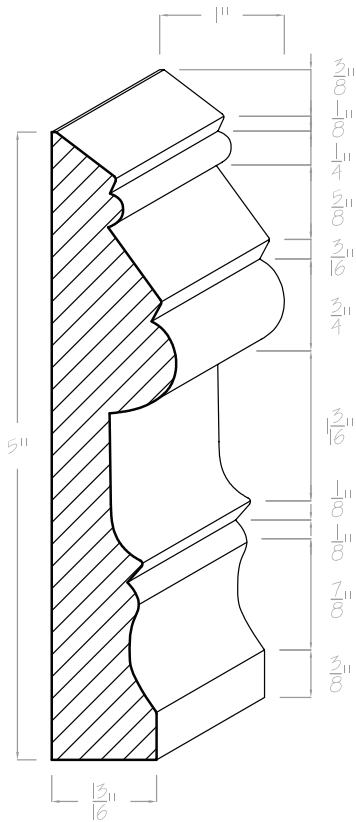
BASEBOARD MOLDING



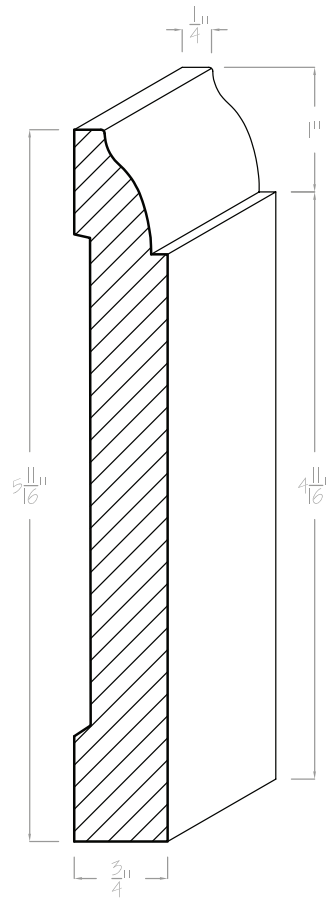
C-4027



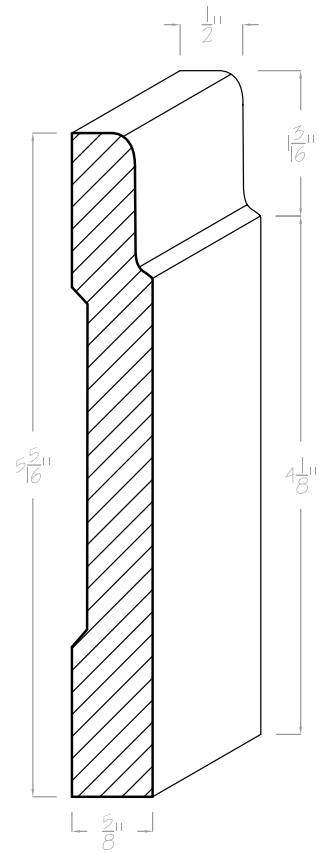
C-4030



C-4028

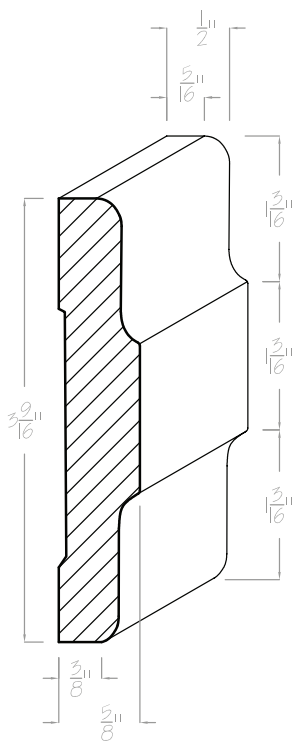


C-4032

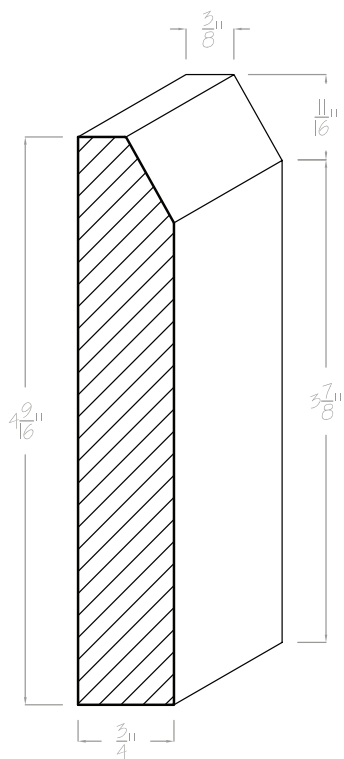


C-4033

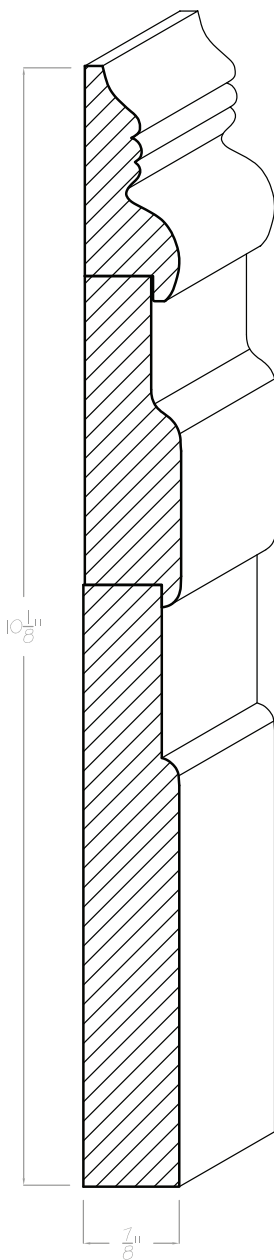
BASEBOARD MOLDING



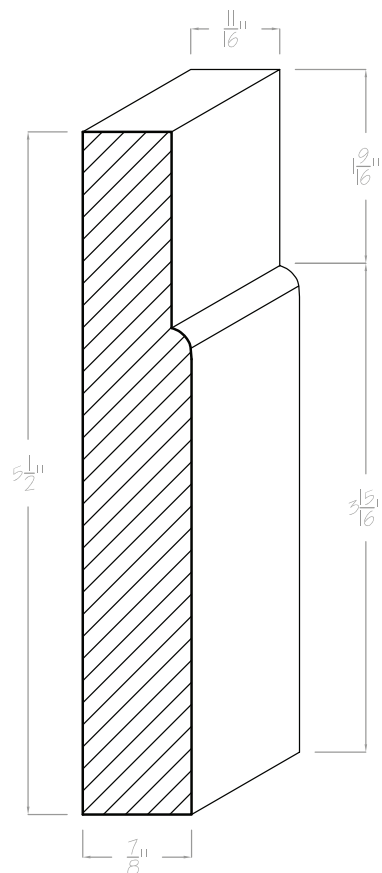
C-4033A



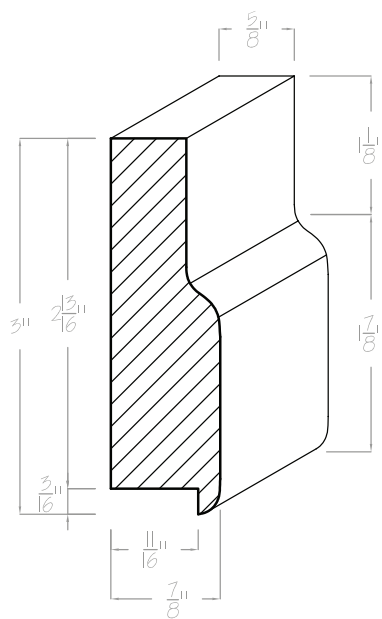
C-4034



**C-4035/C-4036/C-4037
COMBO**

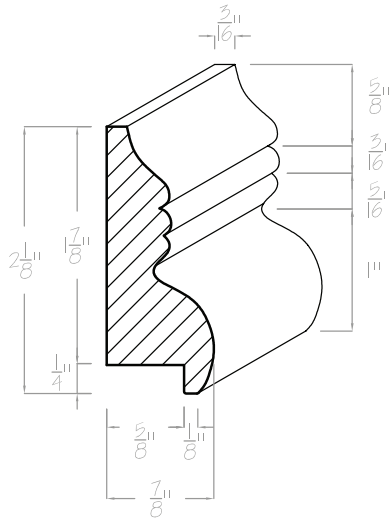


C-4035

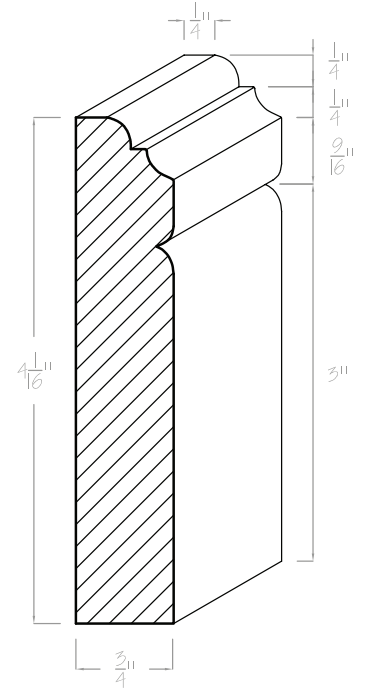


C-4036

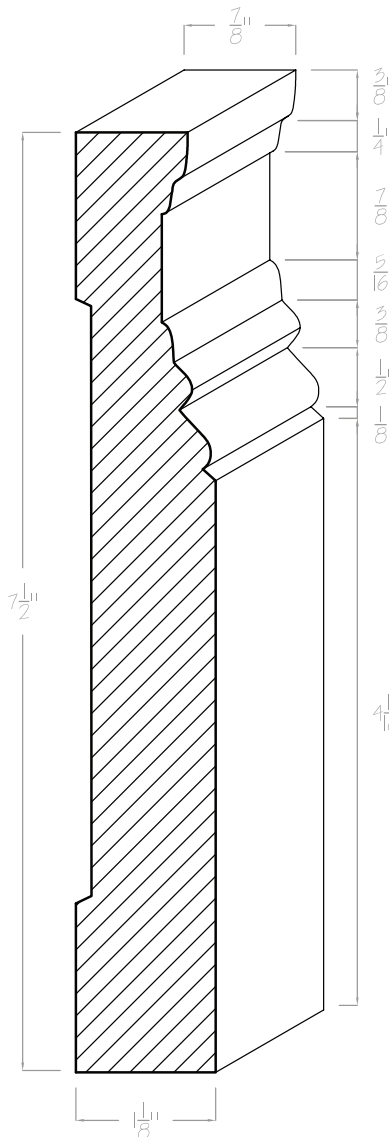
BASEBOARD MOLDING



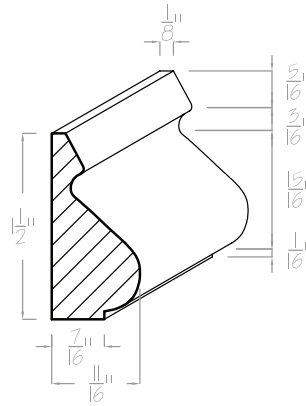
C-4037



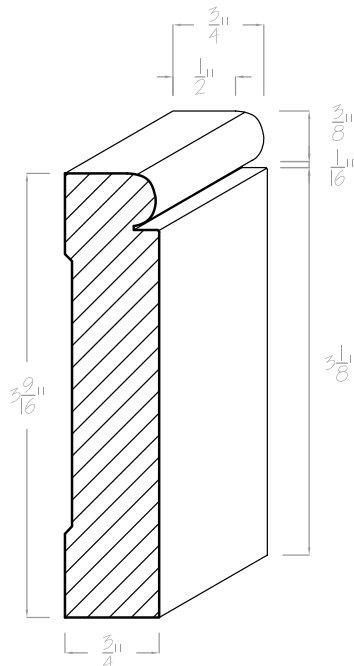
C-4041



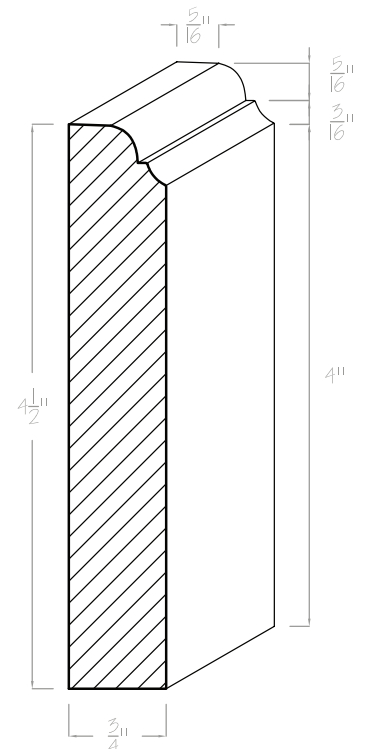
C-4038



C-4039

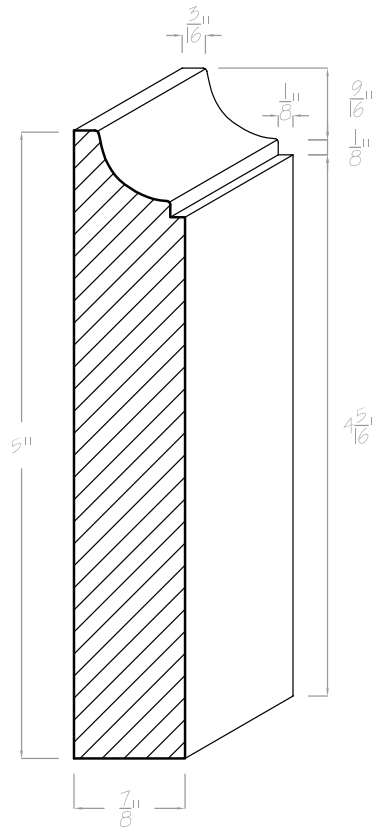


C-4040

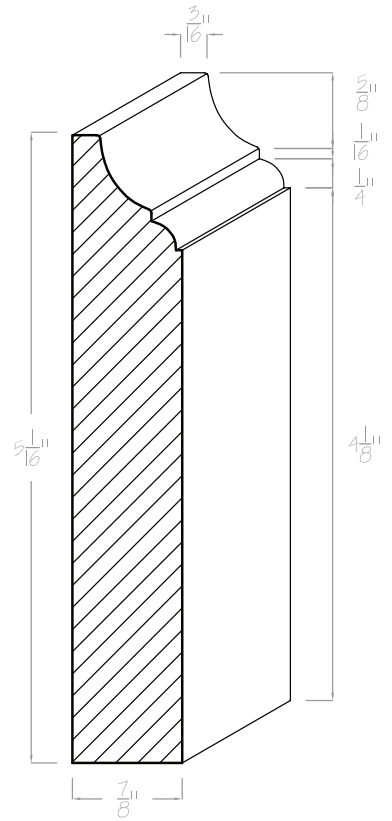


C-4041A

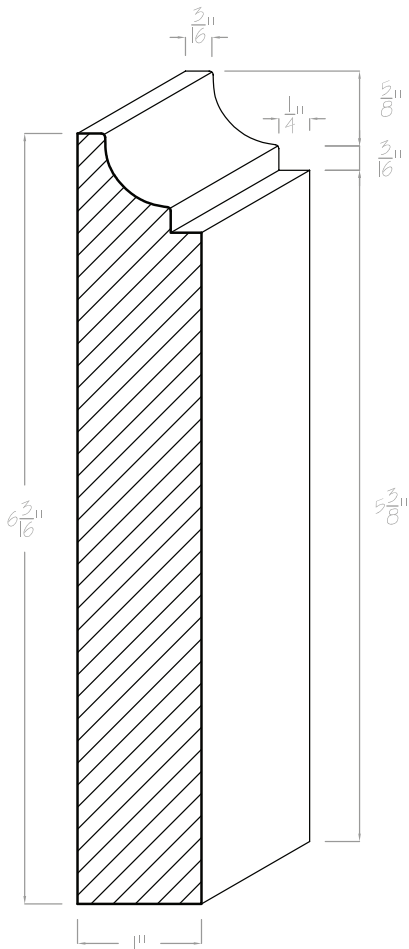
BASEBOARD MOLDING



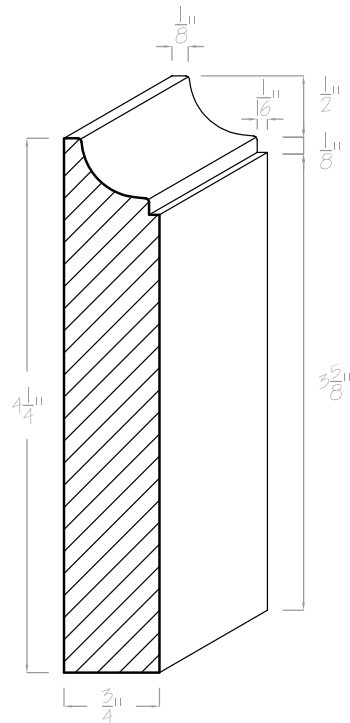
C-4042A



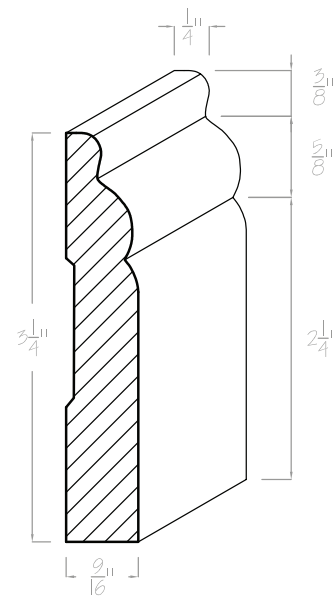
C-4043



C-4042

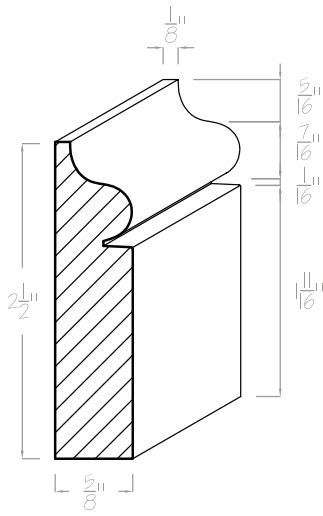


C-4042B

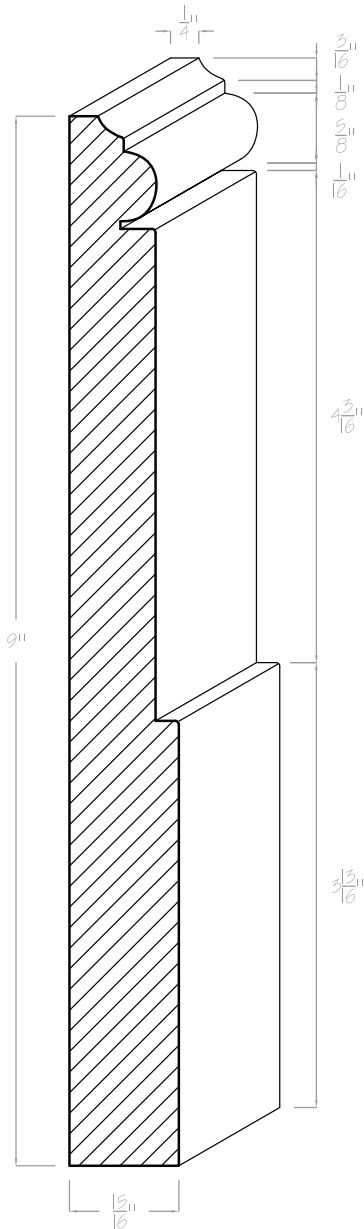


C-4044

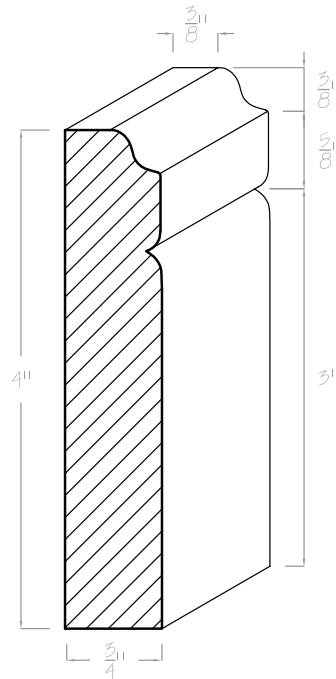
BASEBOARD MOLDING



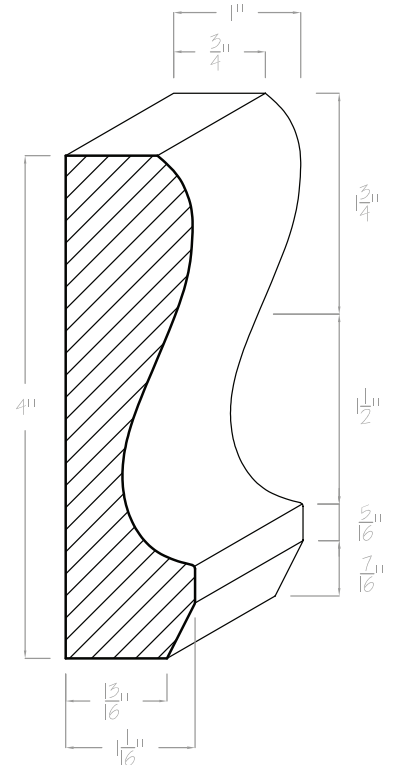
C-4045



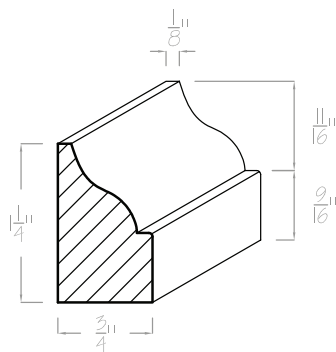
C-4046
VARIOUS HEIGHTS
AVAILABLE



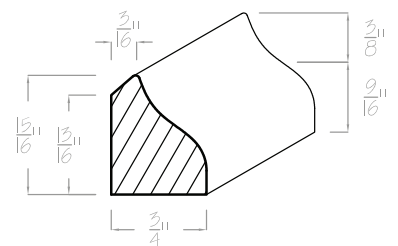
C-4048



C-4050

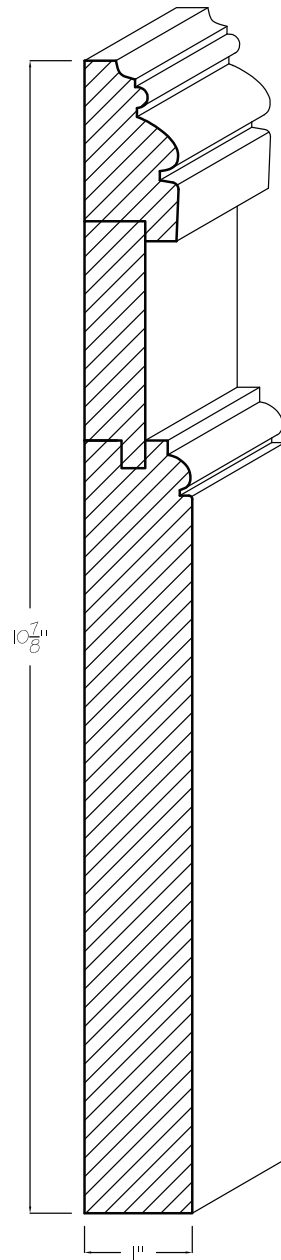


C-4049

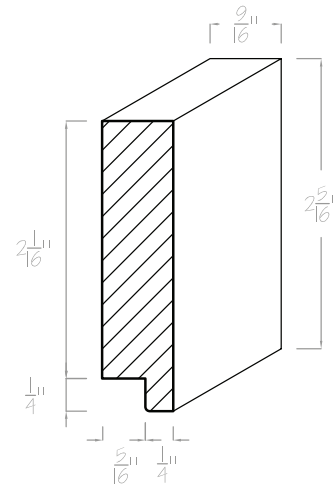


C-4050A

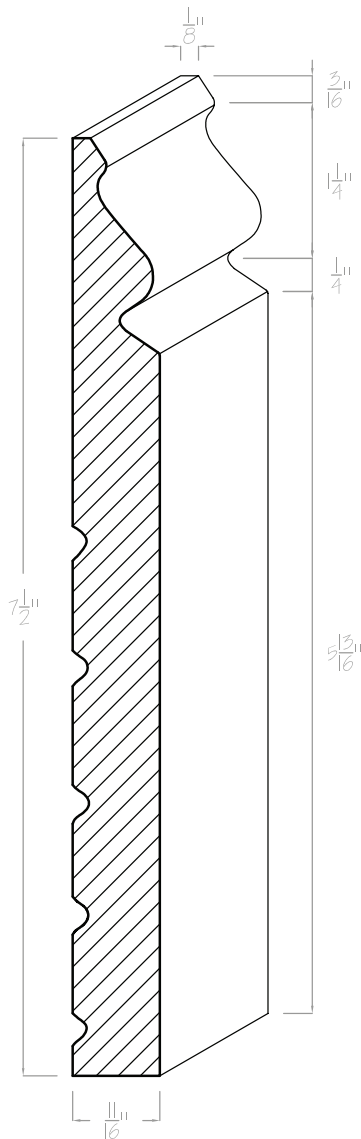
BASEBOARD MOLDING



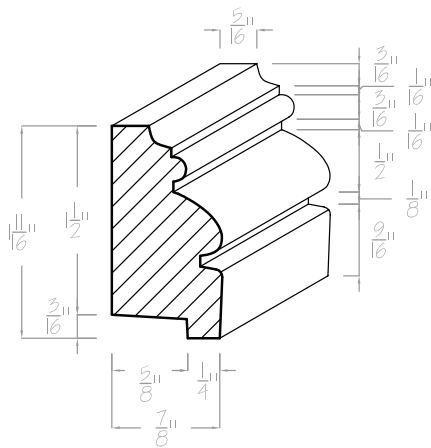
**C-4052A/C-4052B/C-4052C
COMBO**



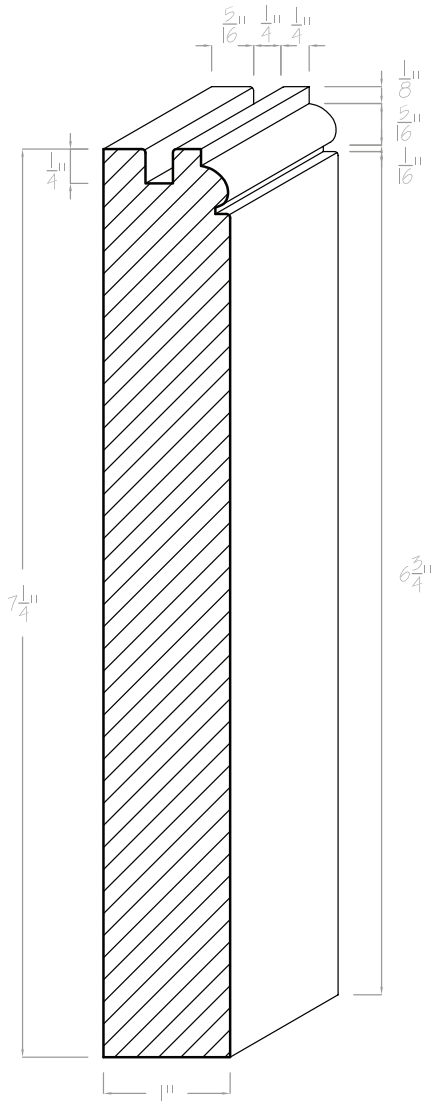
C-4052B



C-4051

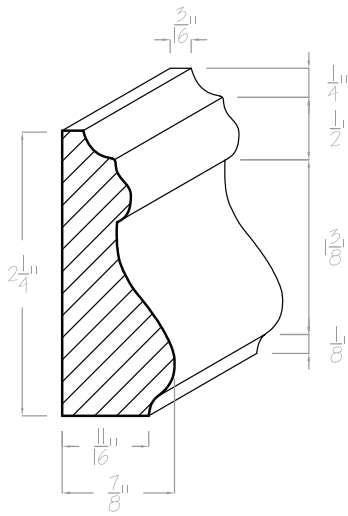


C-4052A

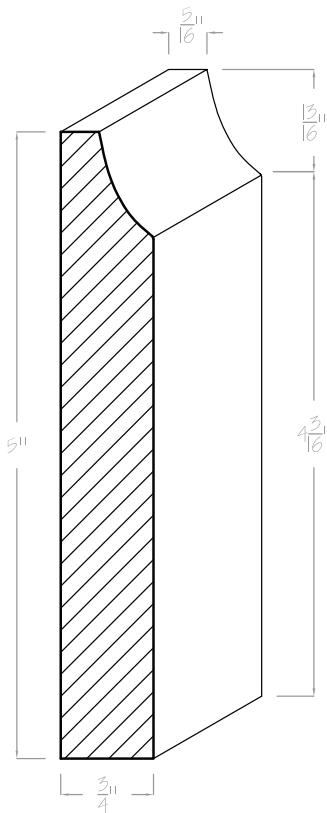


C-4052C

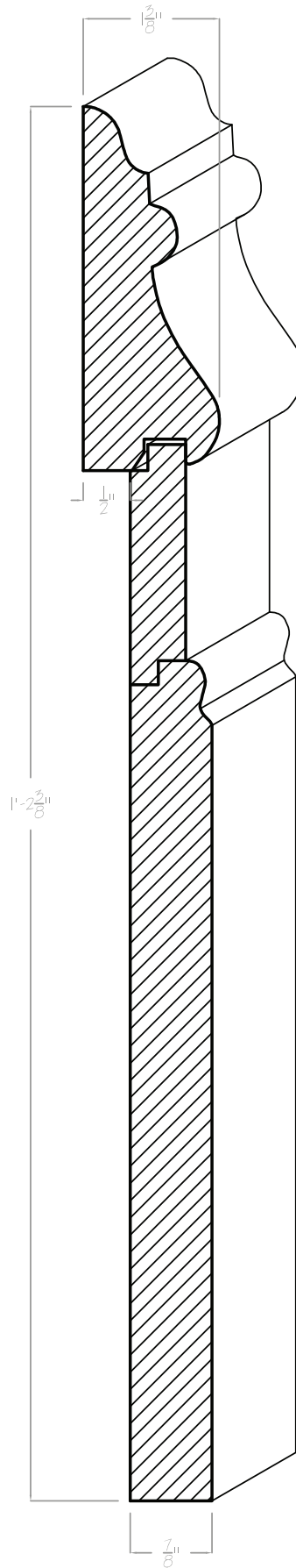
BASEBOARD MOLDING



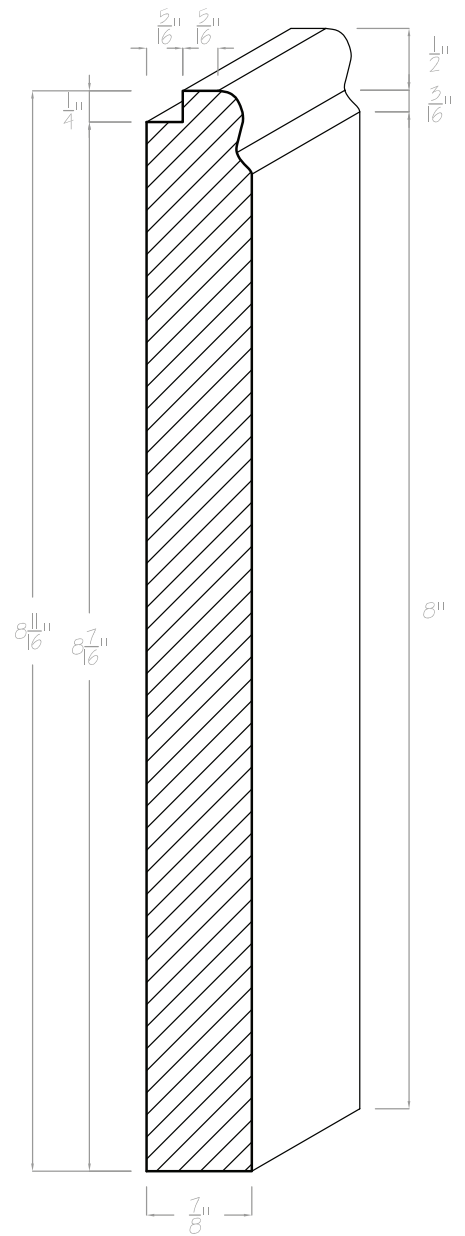
C-4053



C-4054

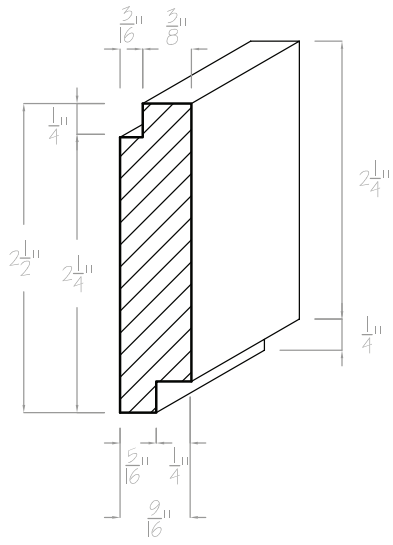


**C-4055/C-4055A/C-4055B
COMBO**

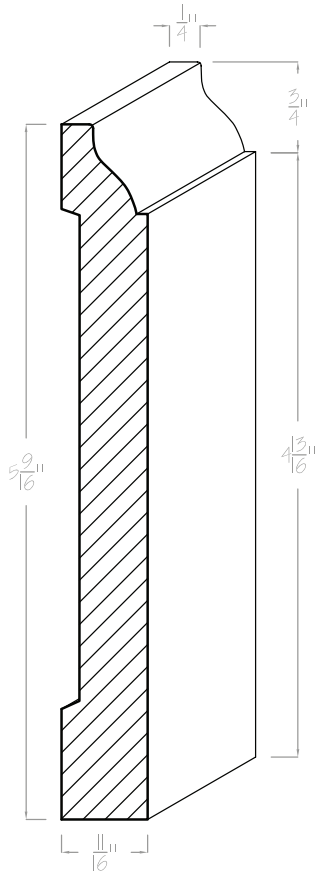


C-4055

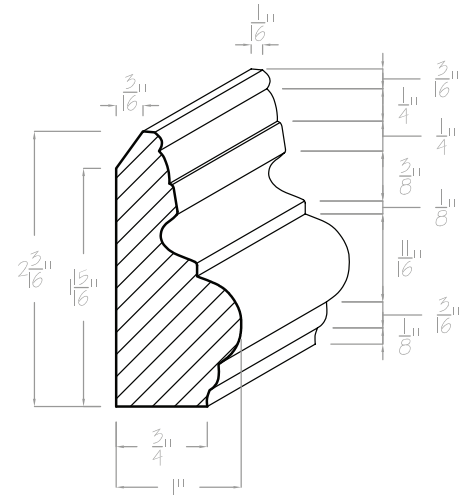
BASEBOARD MOLDING



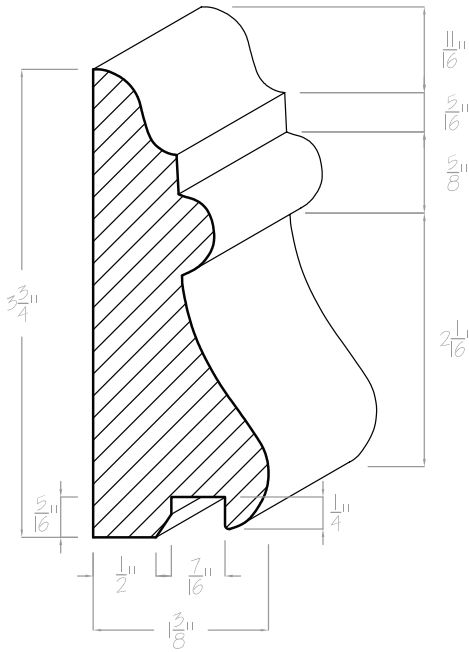
C-4055A



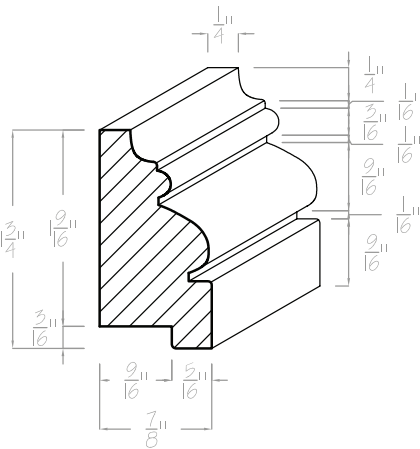
C-4057



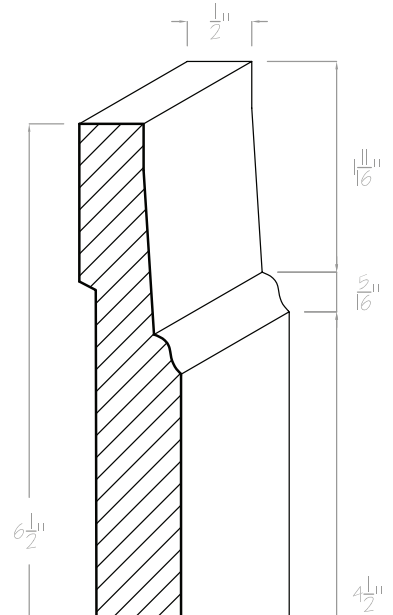
C-4059



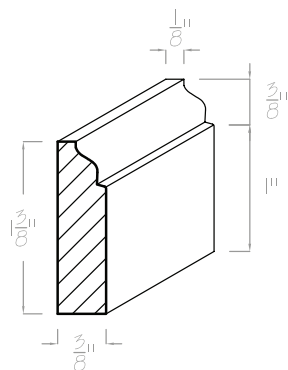
C-4055B



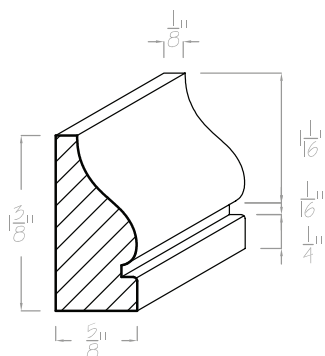
C-4057A



C-4060

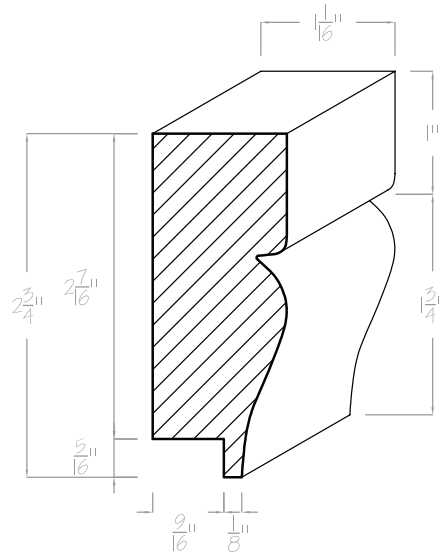


C-4056

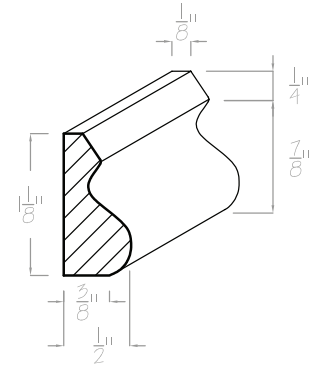


C-4058

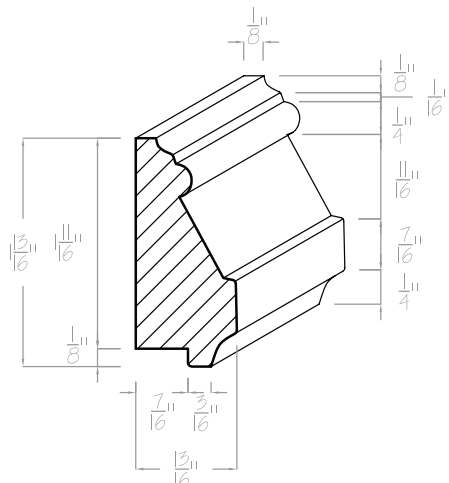
BASEBOARD MOLDING



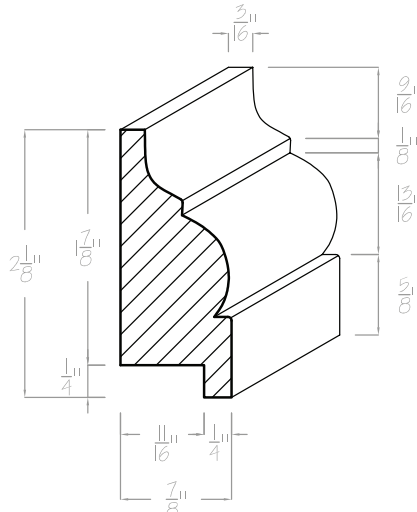
C-4065



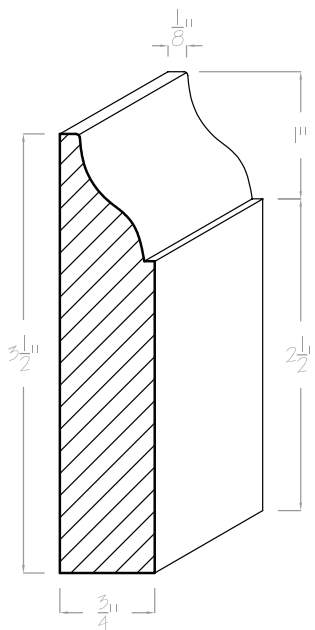
C-4068



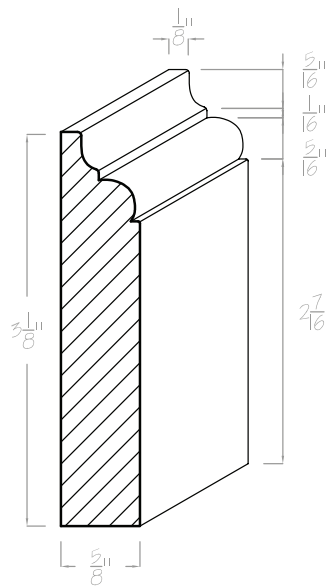
C-4061



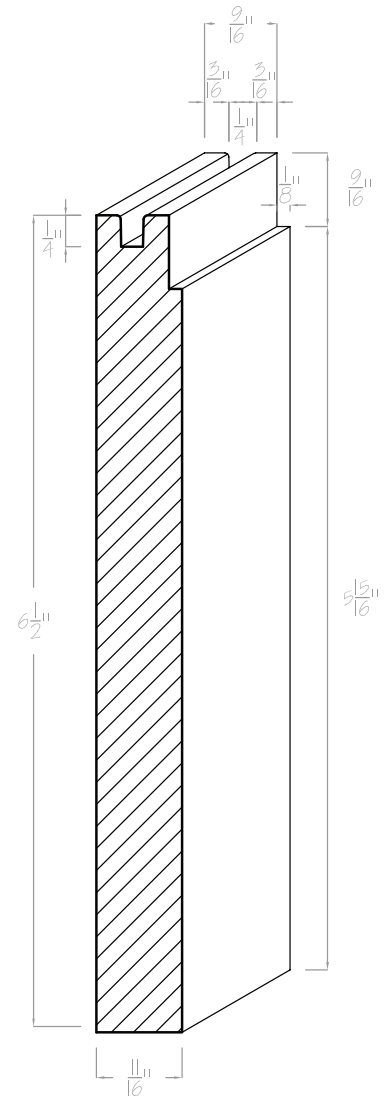
C-4066



C-4062

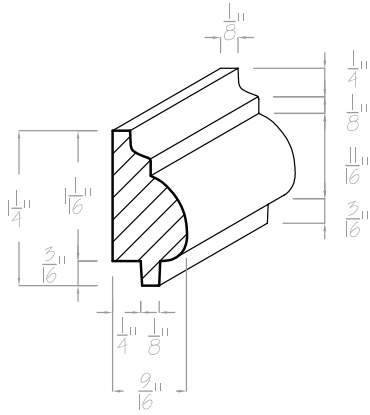


C-4067

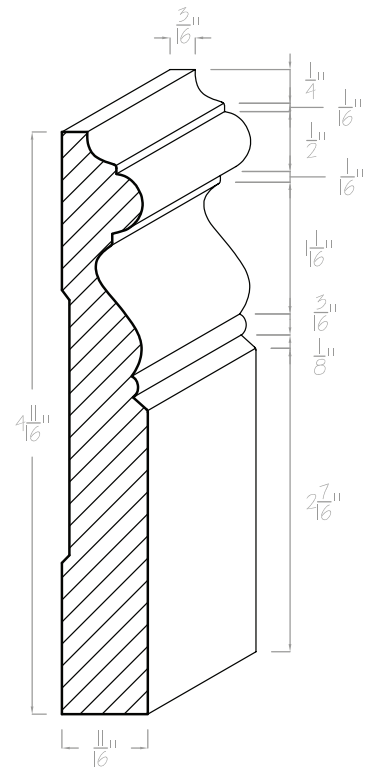


C-4069

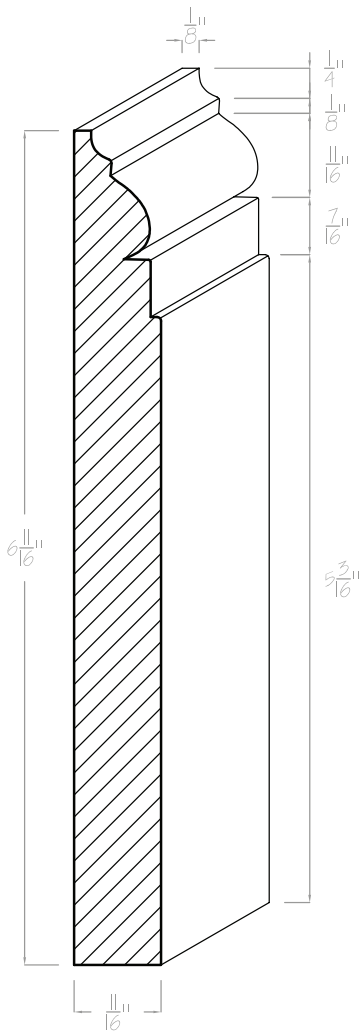
BASEBOARD MOLDING



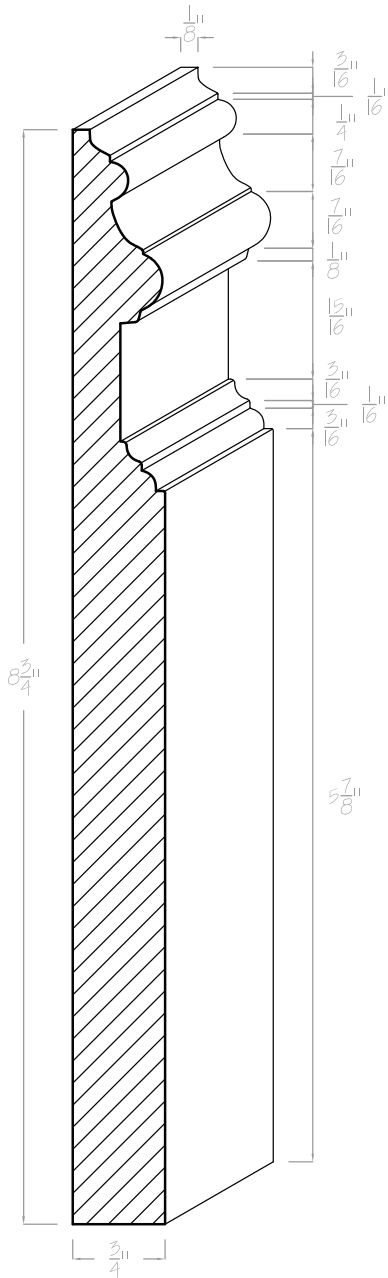
C-4070



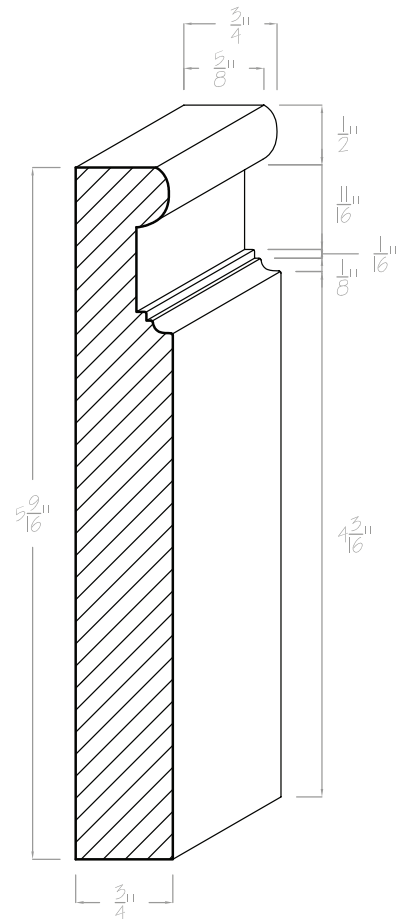
C-4073



C-4071

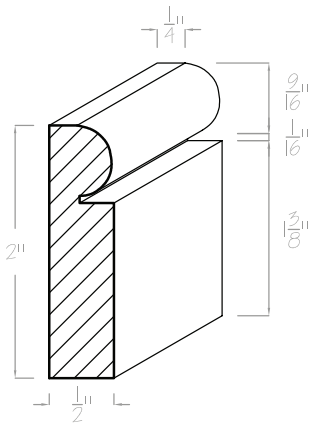


C-4072

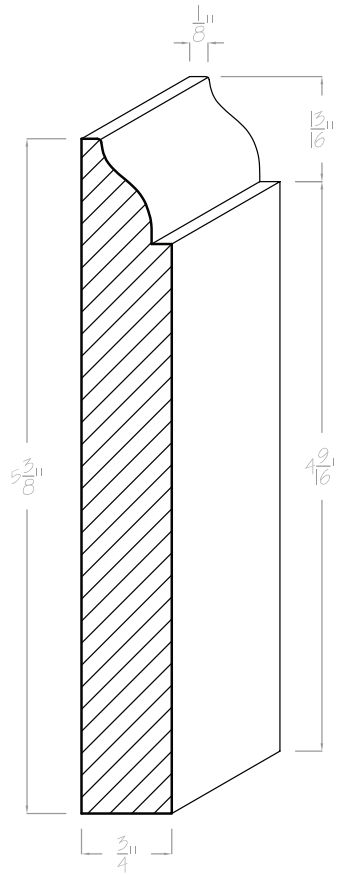


C-4074

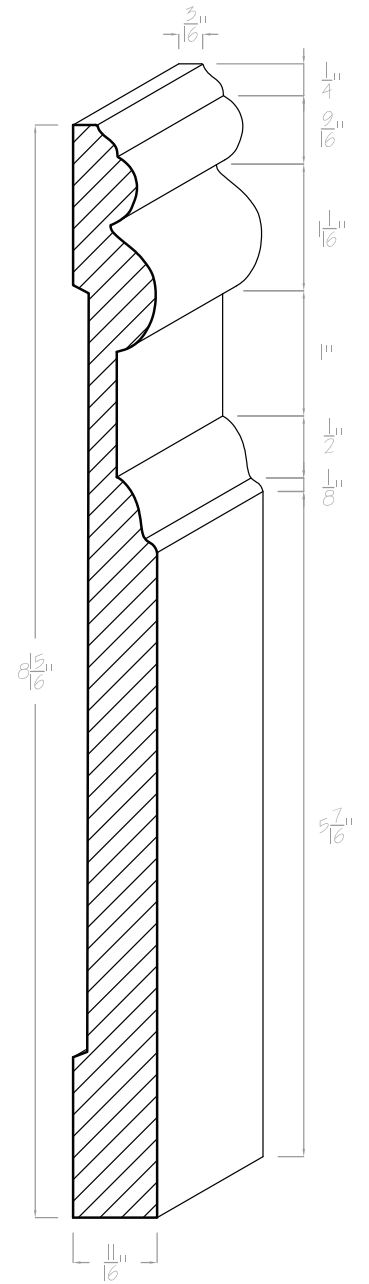
BASEBOARD MOLDING



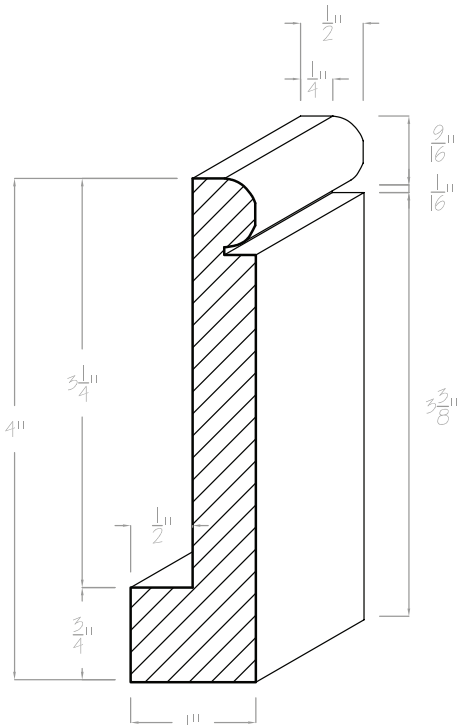
C-4075



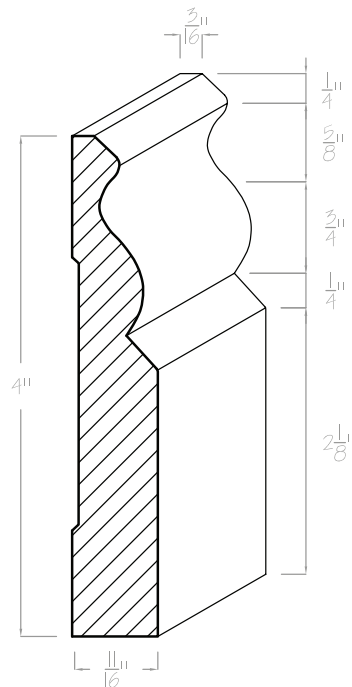
C-4076



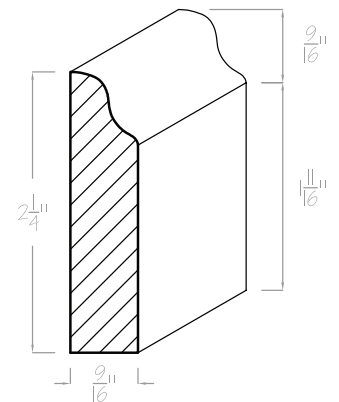
C-4078



C-4075A

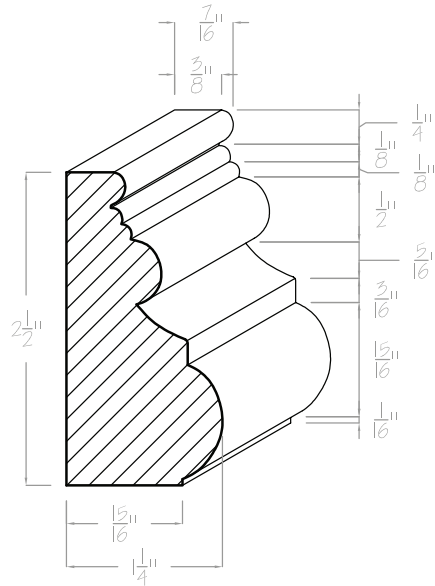


C-4077

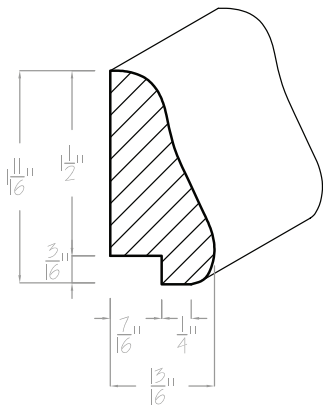


C-4078A

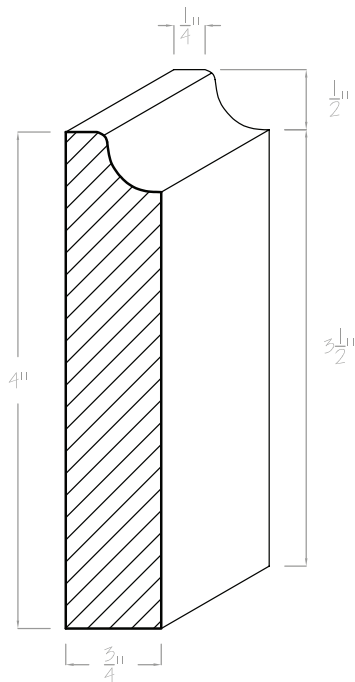
BASEBOARD MOLDING



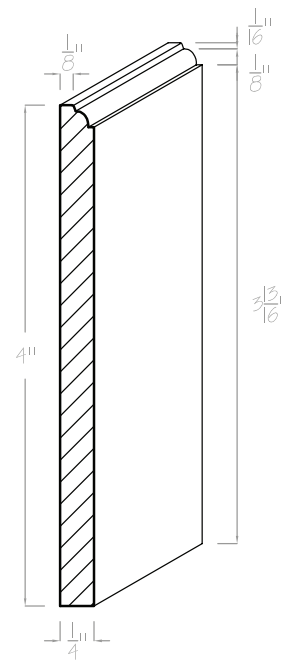
C-4081



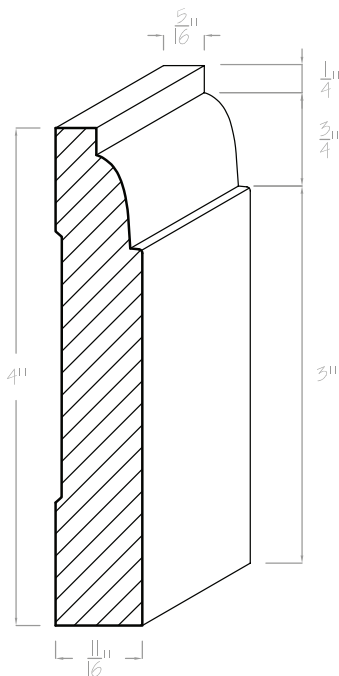
C-4079



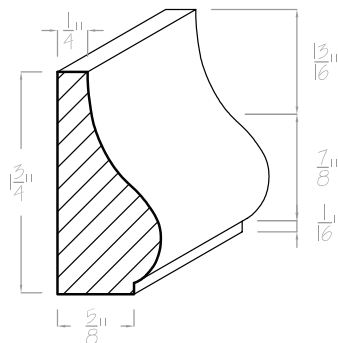
C-4082



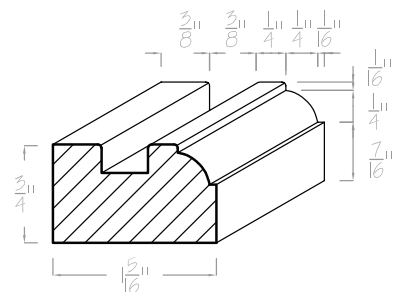
C-4084



C-4080



C-4083



C-4085A