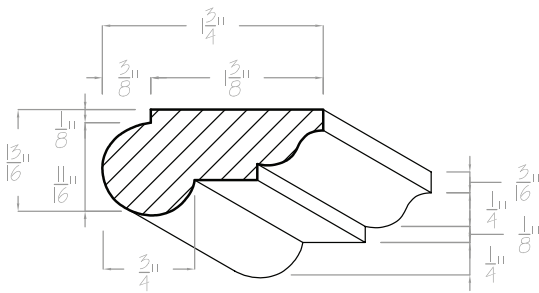
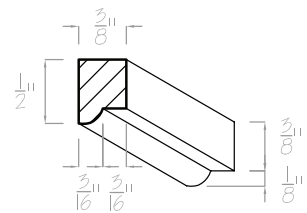


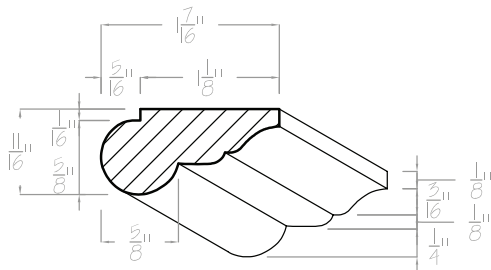
CABINET MOLDING



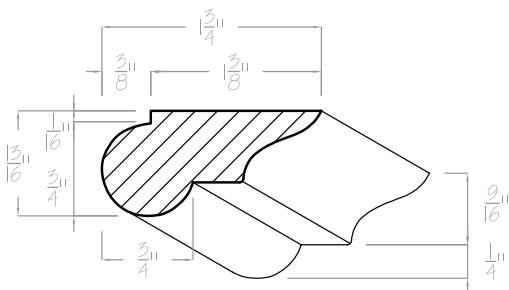
C-700



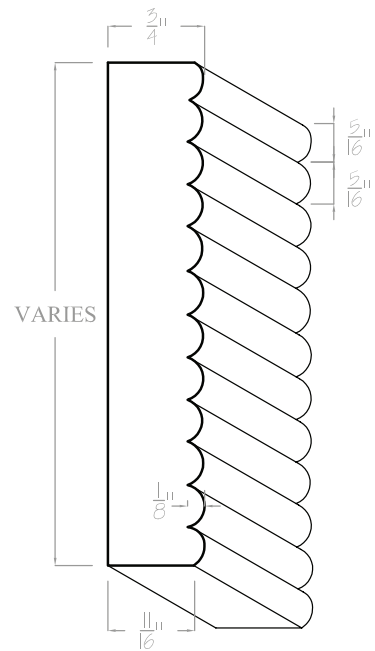
S-704
GLASS STOP



C-700A

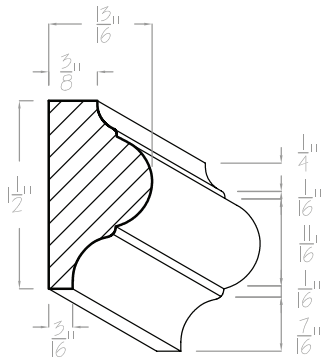


C-702

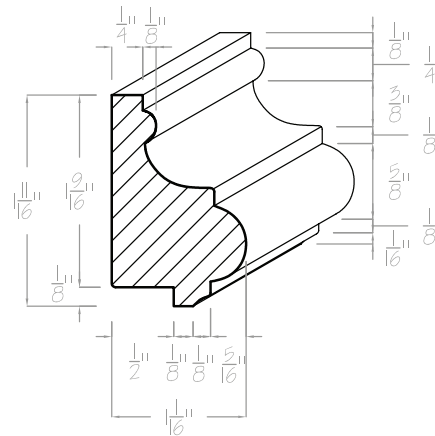


S-705

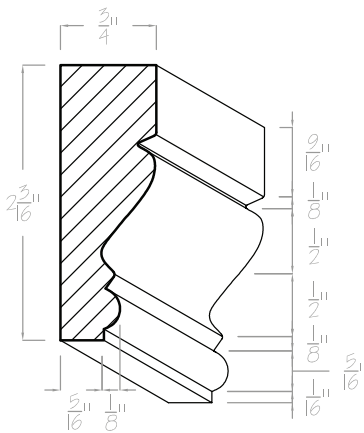
CABINET MOLDING



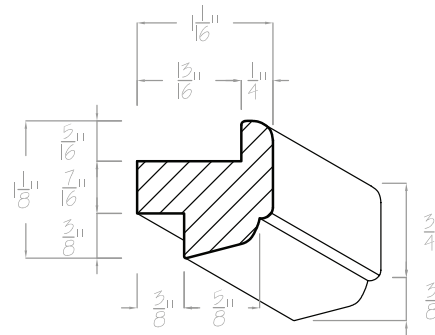
C-706



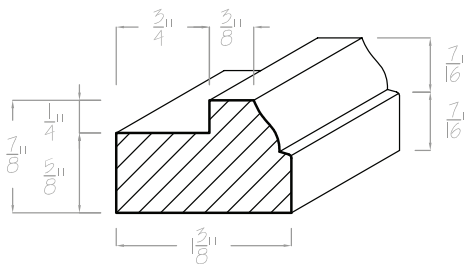
C-710



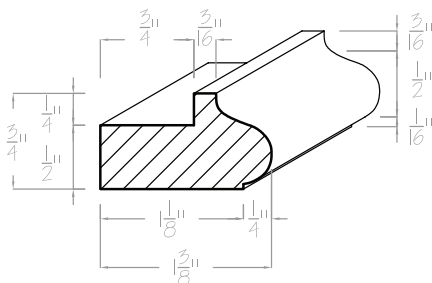
C-707



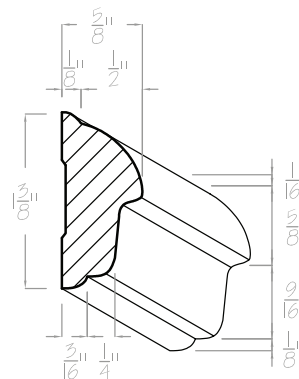
C-711



C-708

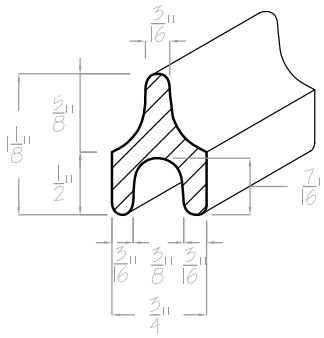


C-709

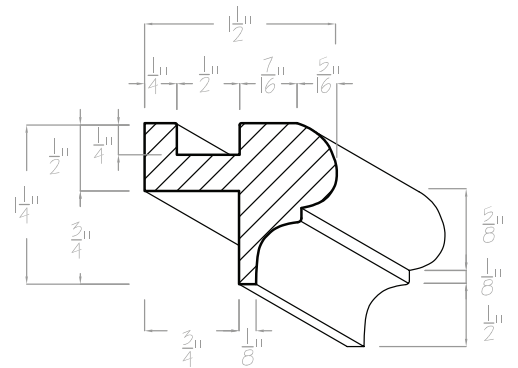
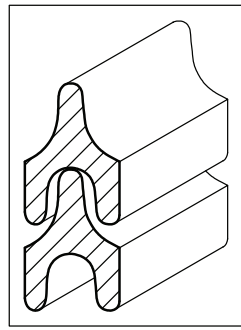


C-712

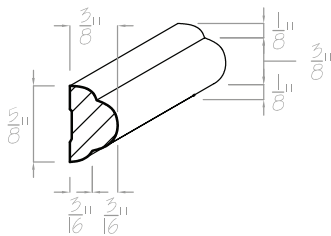
CABINET MOLDING



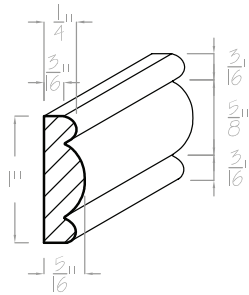
C-713



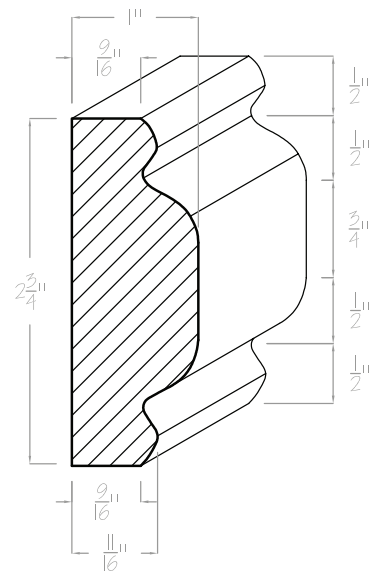
C-724



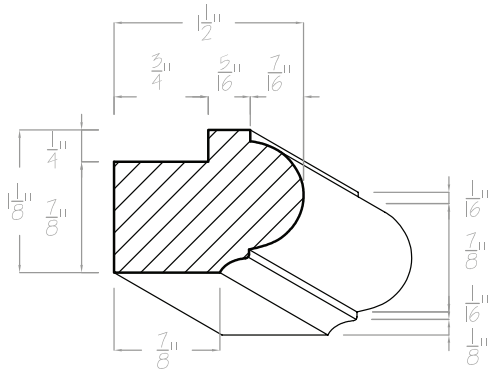
S-714



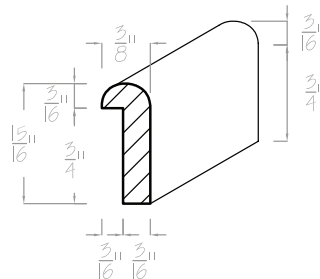
S-718



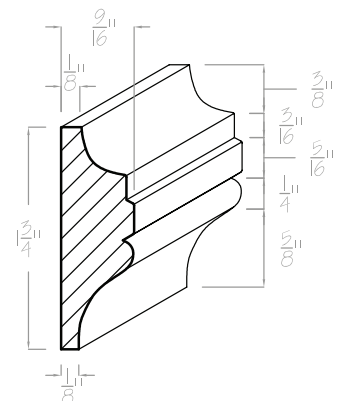
C-729



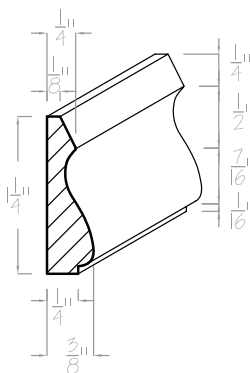
C-716



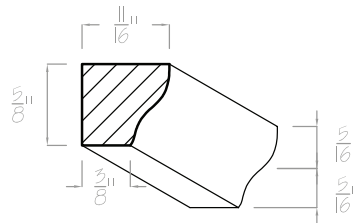
S-719



C-730

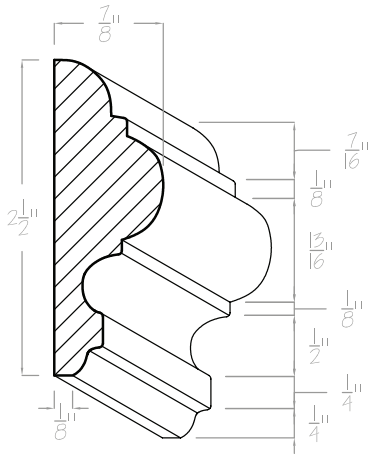


C-717

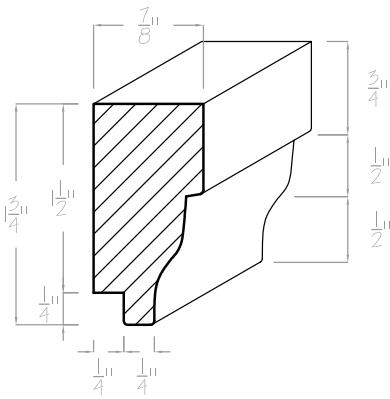


S-720

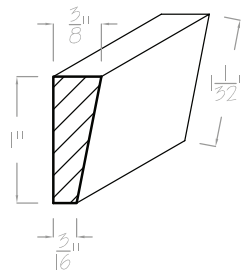
CABINET MOLDING



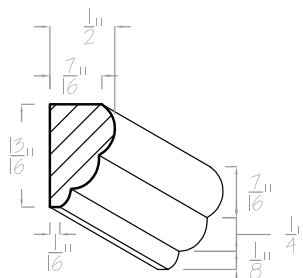
C-731



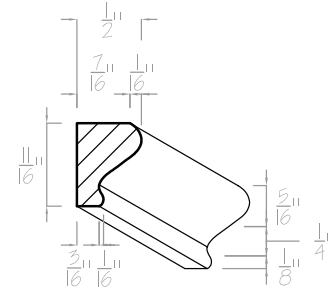
C-732



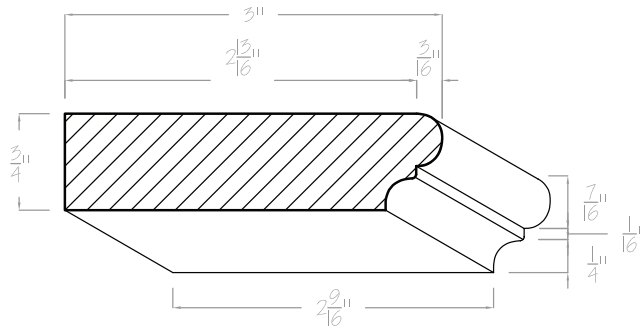
S-734



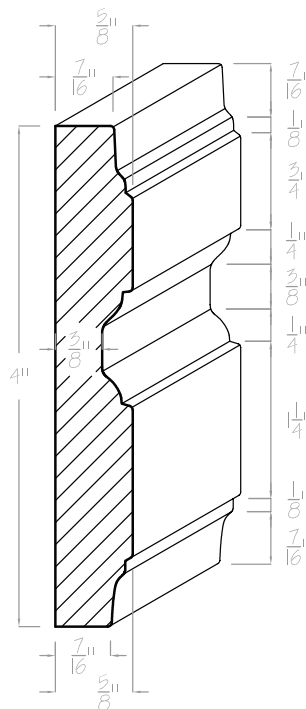
S-735



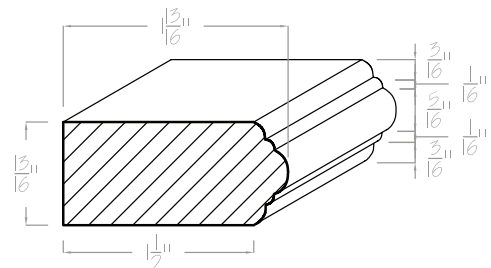
S-738



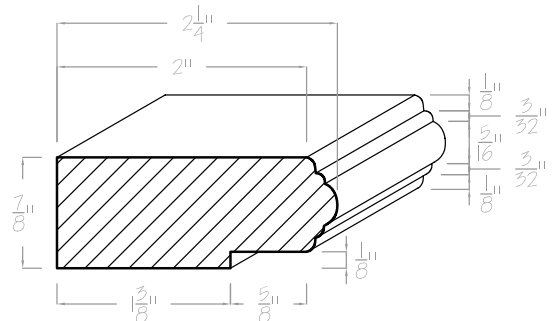
C-736



S-737

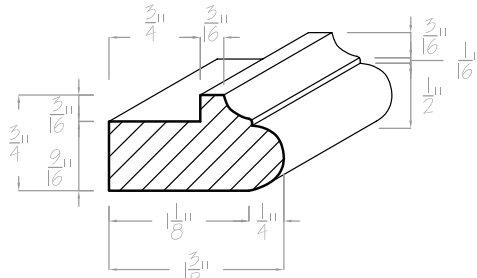


S-739

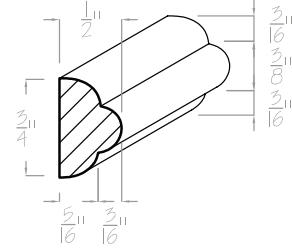


S-739A
UNDERCABINET MOLDING

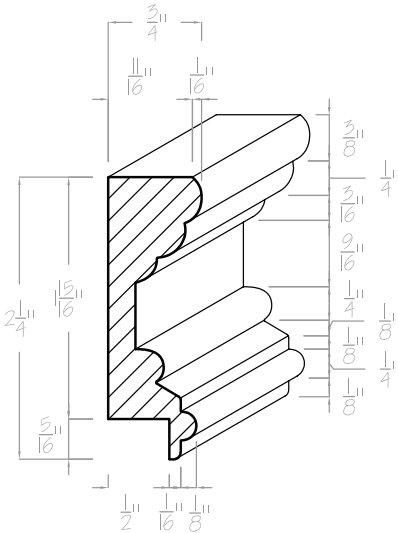
CABINET MOLDING



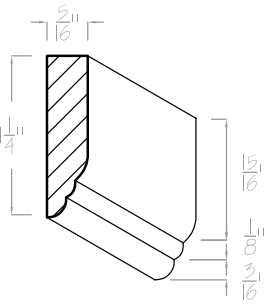
S-749
UNDER CABINET TRIM



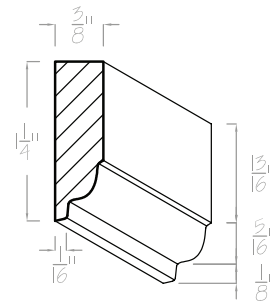
S-754



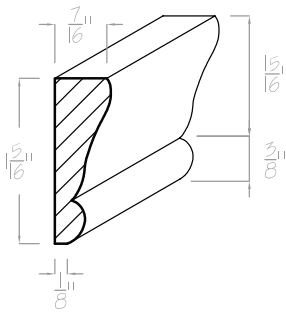
C-746



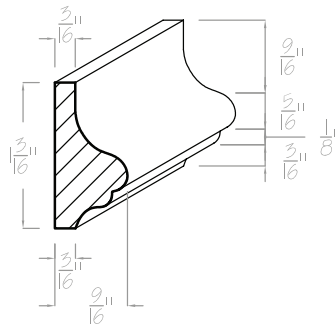
S-750
SCRIBE



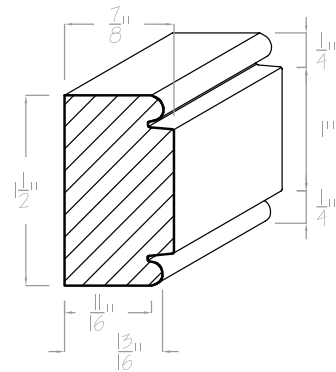
S-755
SCRIBE



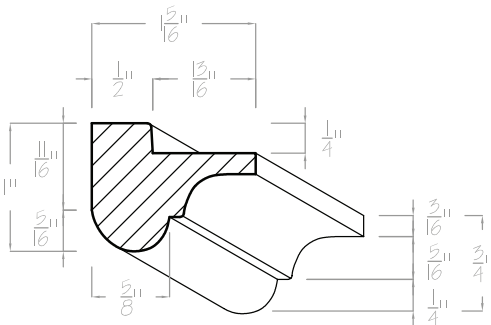
C-747



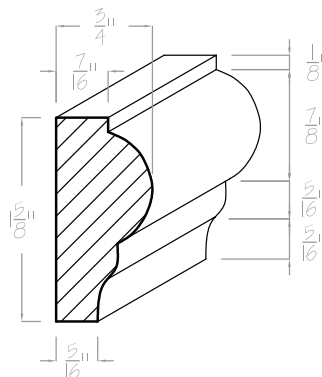
S-752



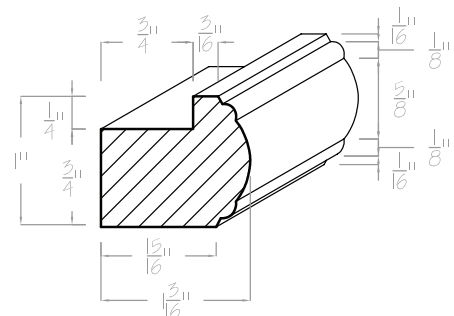
C-756



S-748
SKIRTING

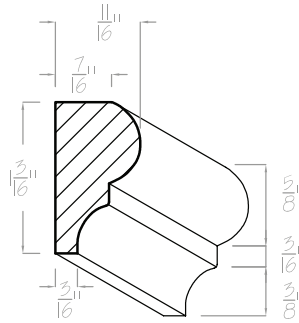


C-753

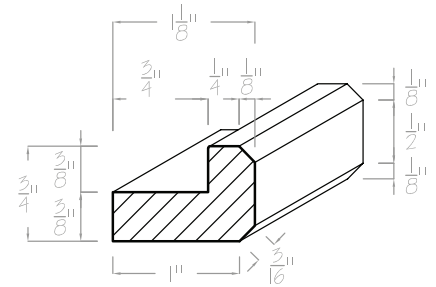


S-758

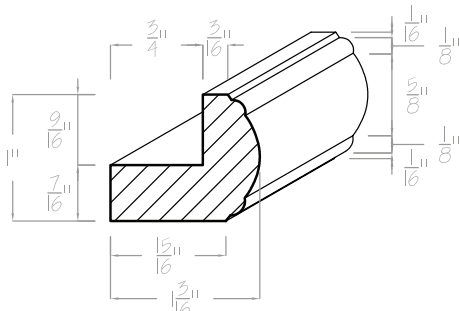
CABINET MOLDING



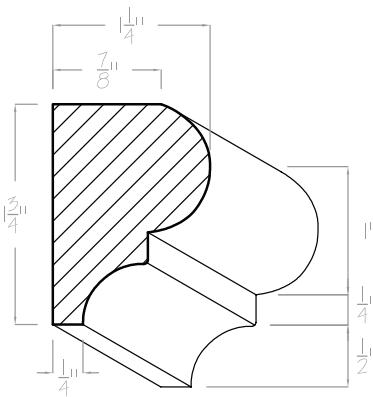
C-761



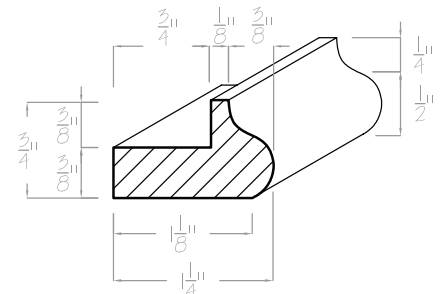
S-764



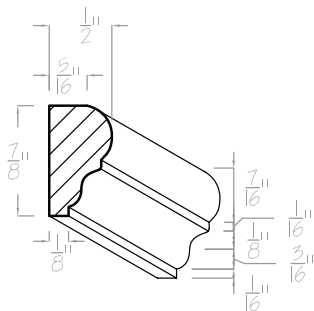
S-758A



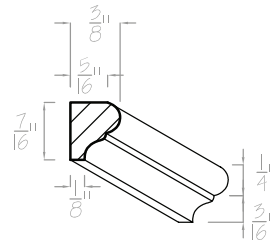
C-761A



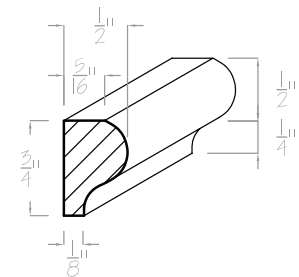
S-765



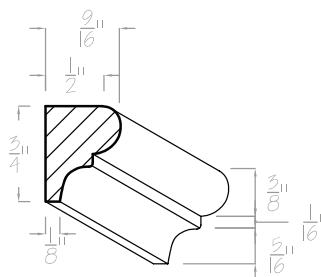
S-759



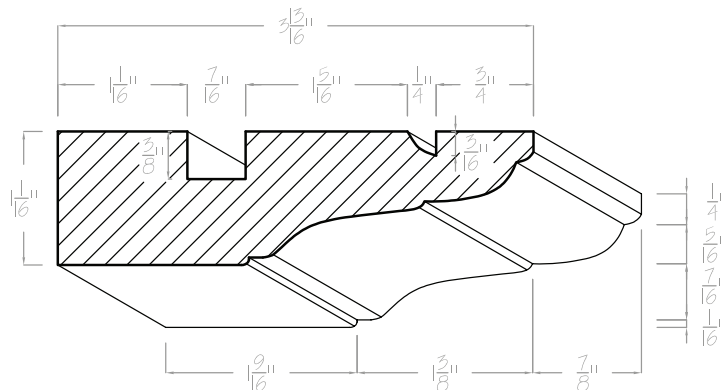
S-762



S-766

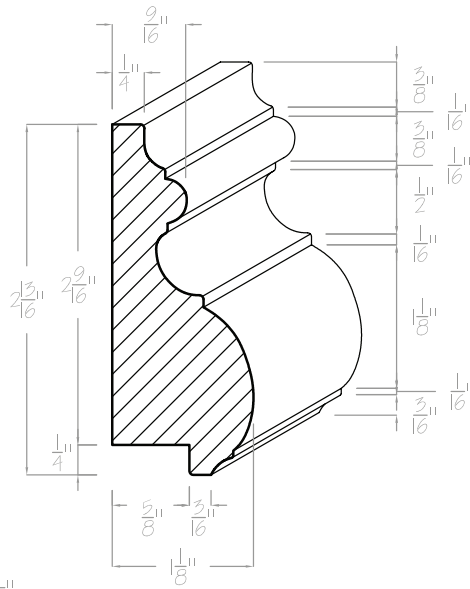


S-760

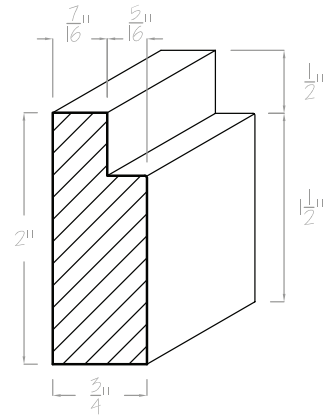


C-763

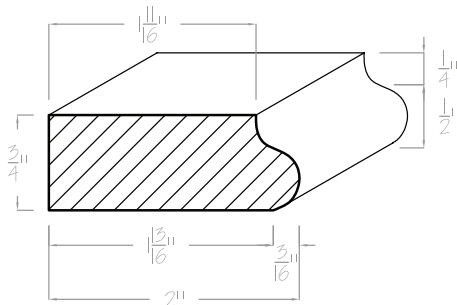
GABINET MOLDING



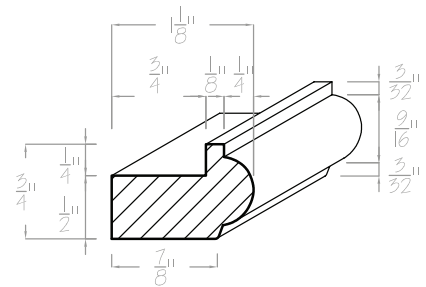
C-770



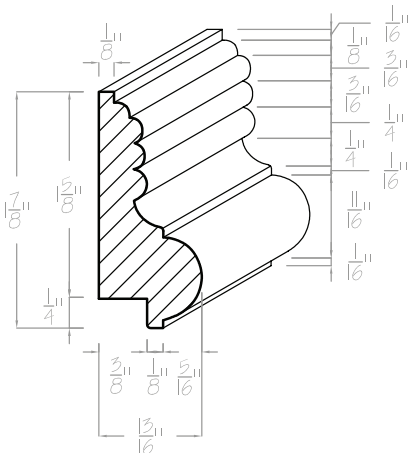
C-772A



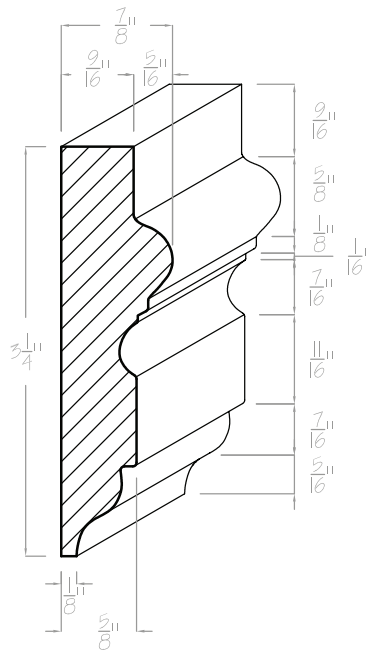
C-767



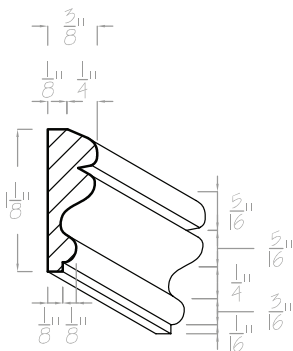
C-773



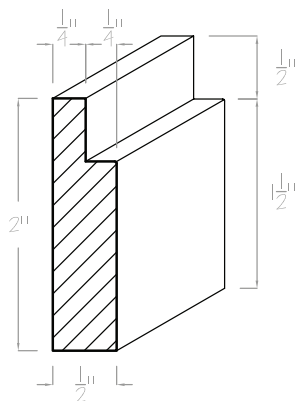
C-768



C-771

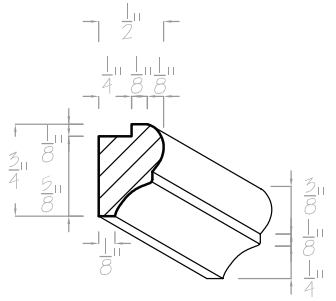


C-769

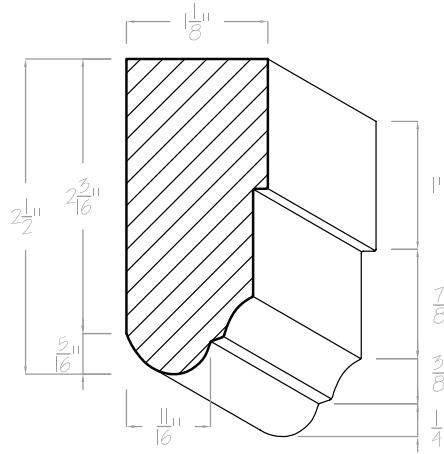


C-772

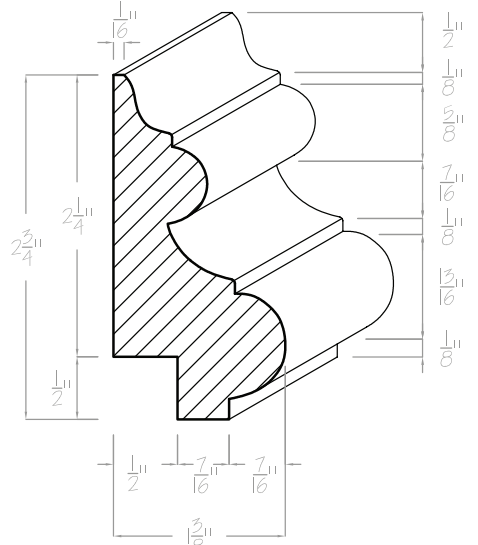
CABINET MOLDING



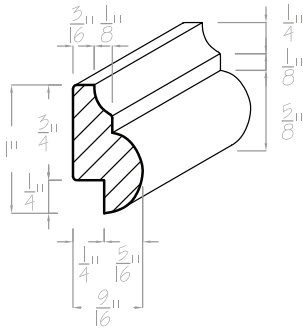
S-784



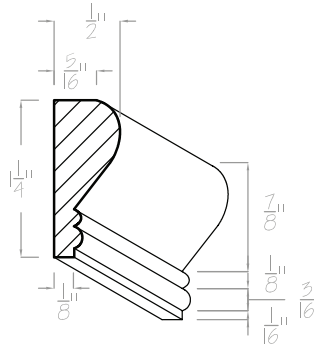
S-778



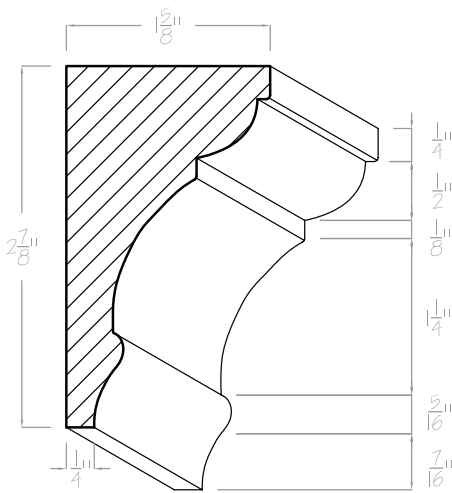
C-786



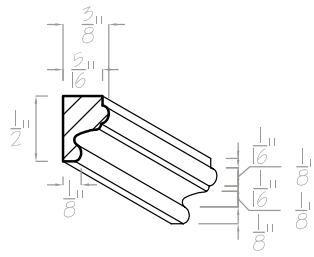
S-775



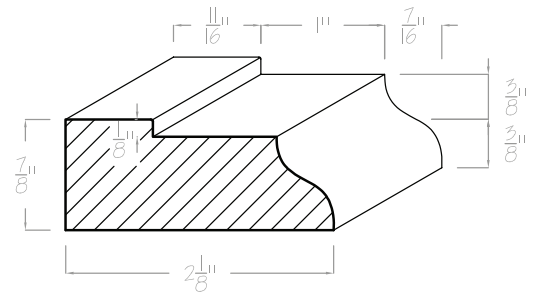
S-779



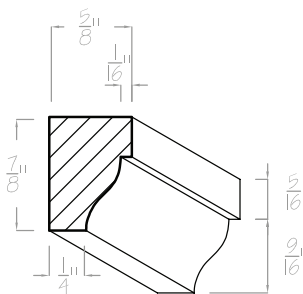
C-776



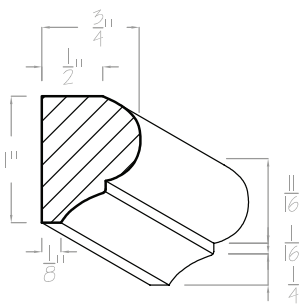
S-780



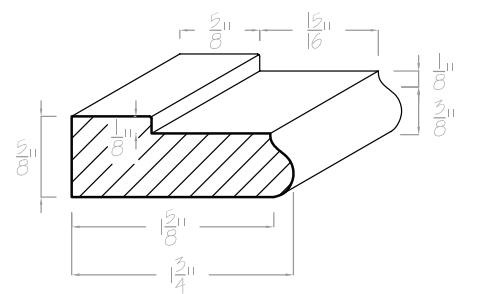
C-787
UNDER CABINET MOLDING



S-777

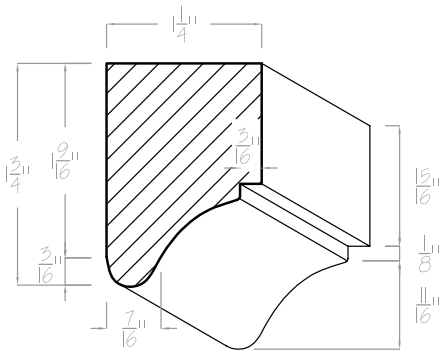


S-782

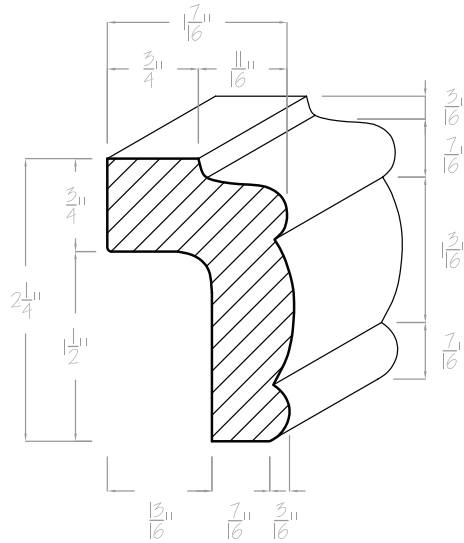


C-788

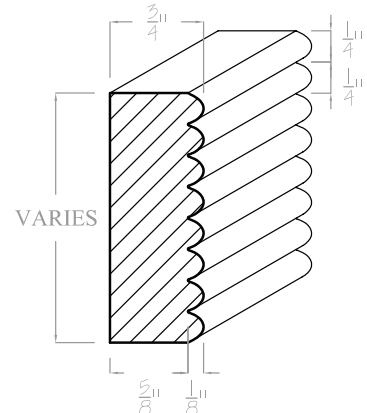
CABINET MOLDING



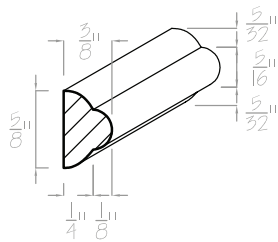
C-789



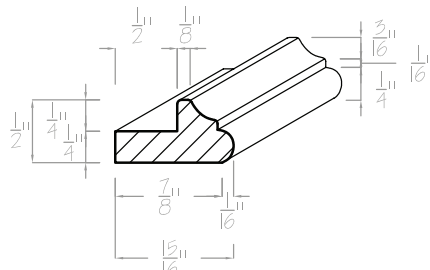
C-792C



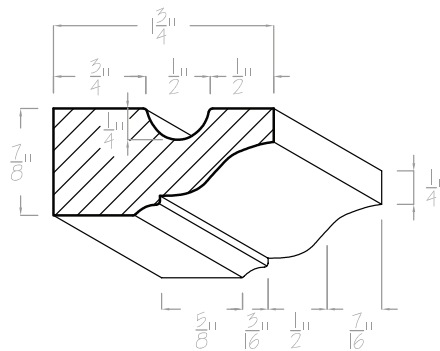
C-797



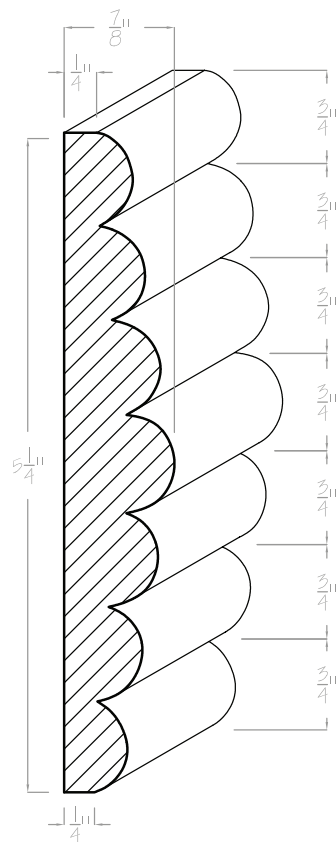
S-790



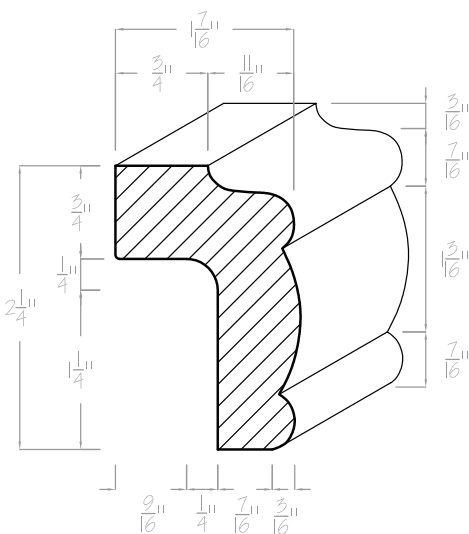
S-793



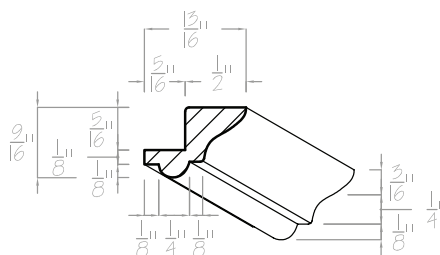
**C-795
PLATE RAIL**



**C-798A
ACCENT MOLDING**

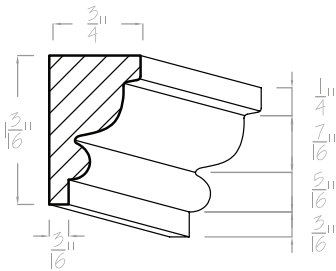


C-792

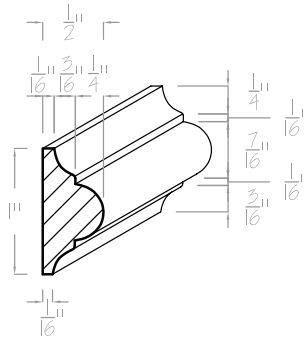


S-796

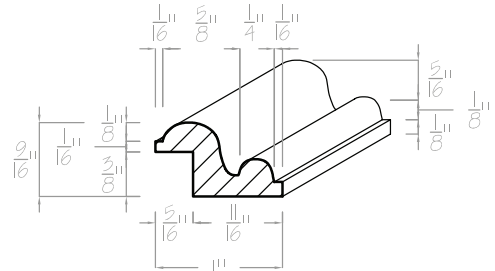
CABINET MOLDING



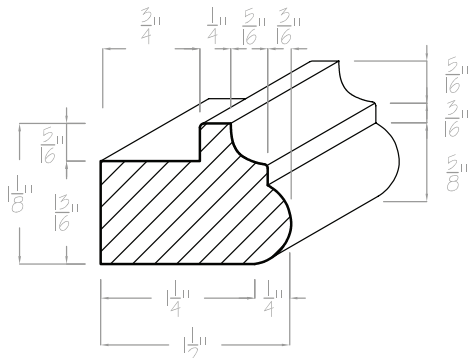
C-7008



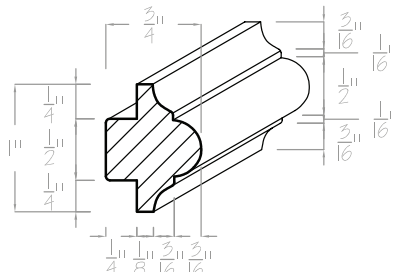
C-7012



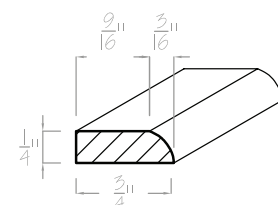
S-7015



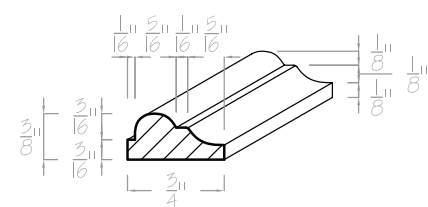
C-7009



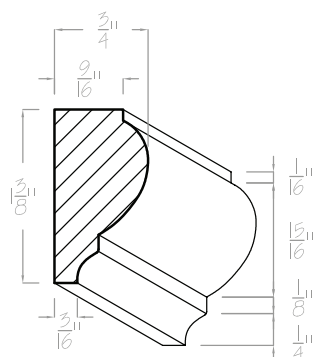
S-7012A



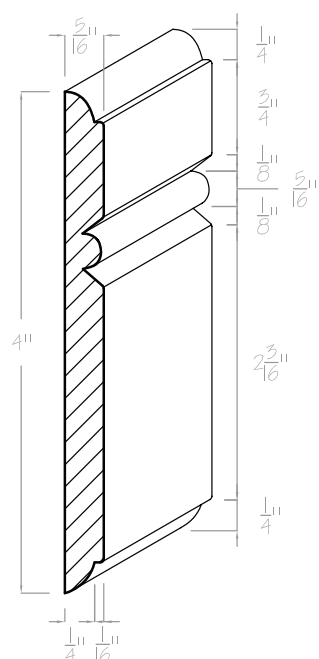
S-7016



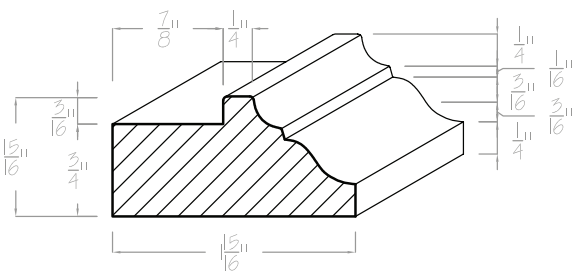
S-7017



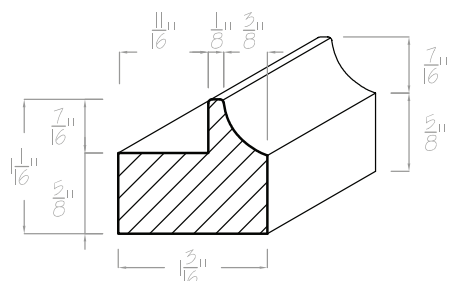
C-7010



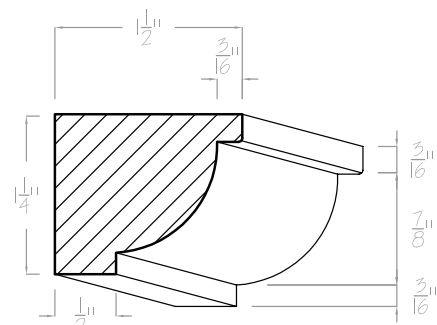
S-7013



C-7018

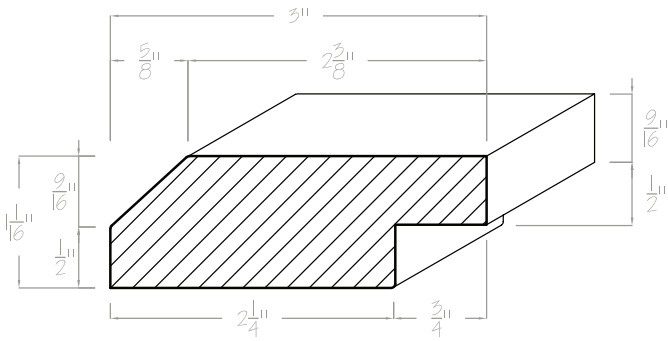


C-7011

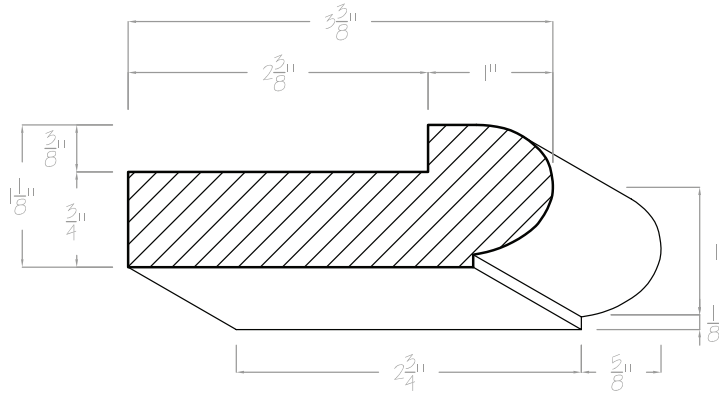


C-7019

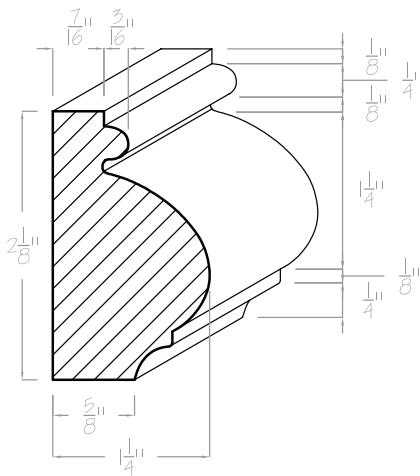
CABINET MOLDING



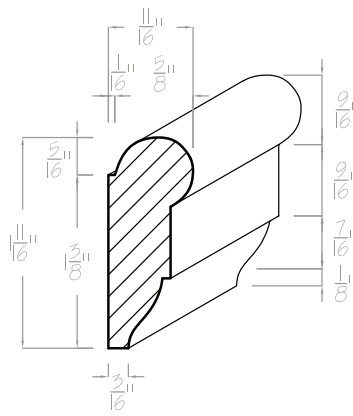
C-7030



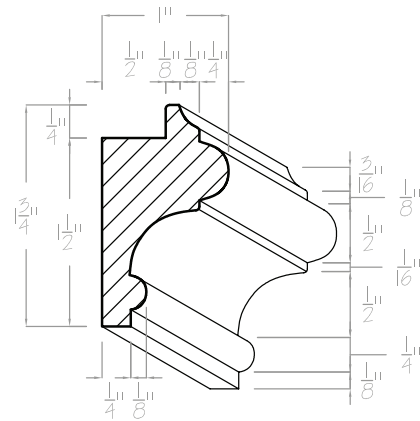
C-7035



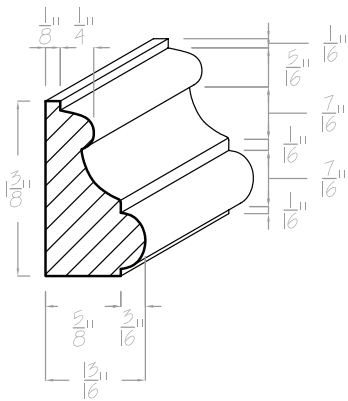
C-7031



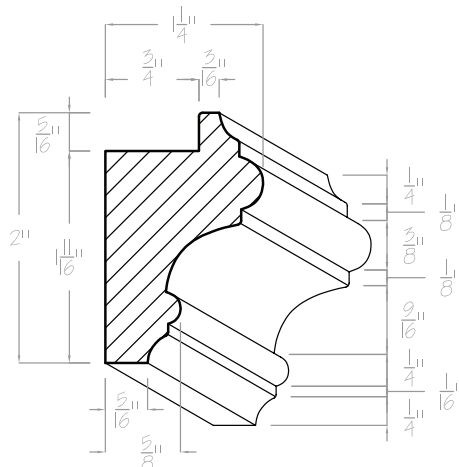
C-7036



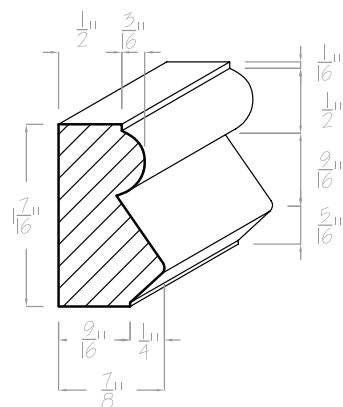
C-7038



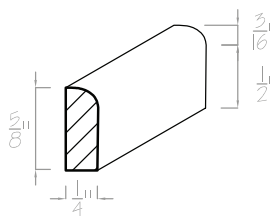
C-7033



C-7037

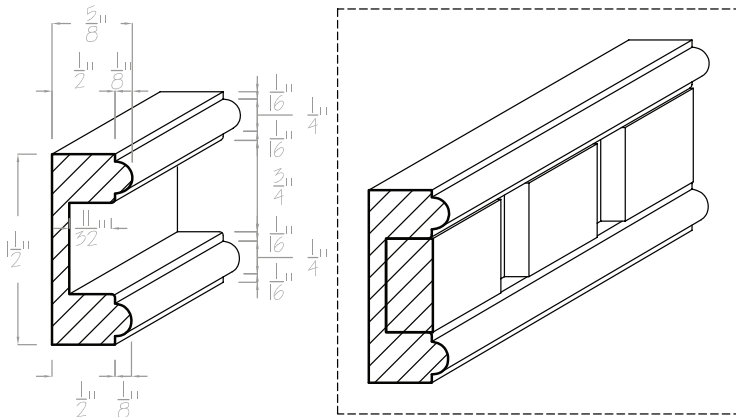


C-7039

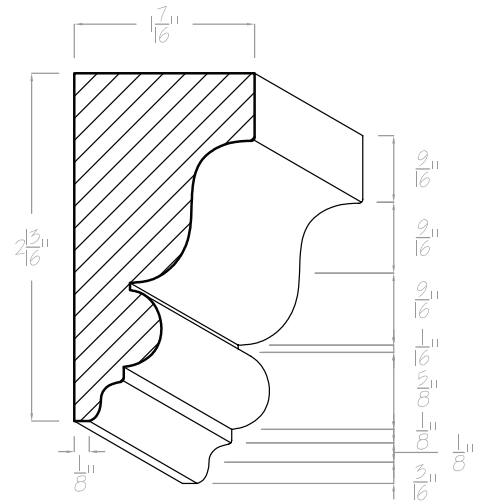


S-7034

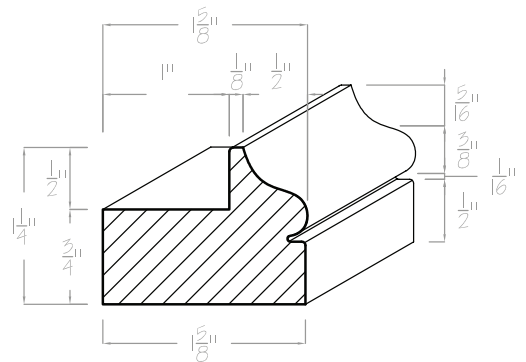
CABINET MOLDING



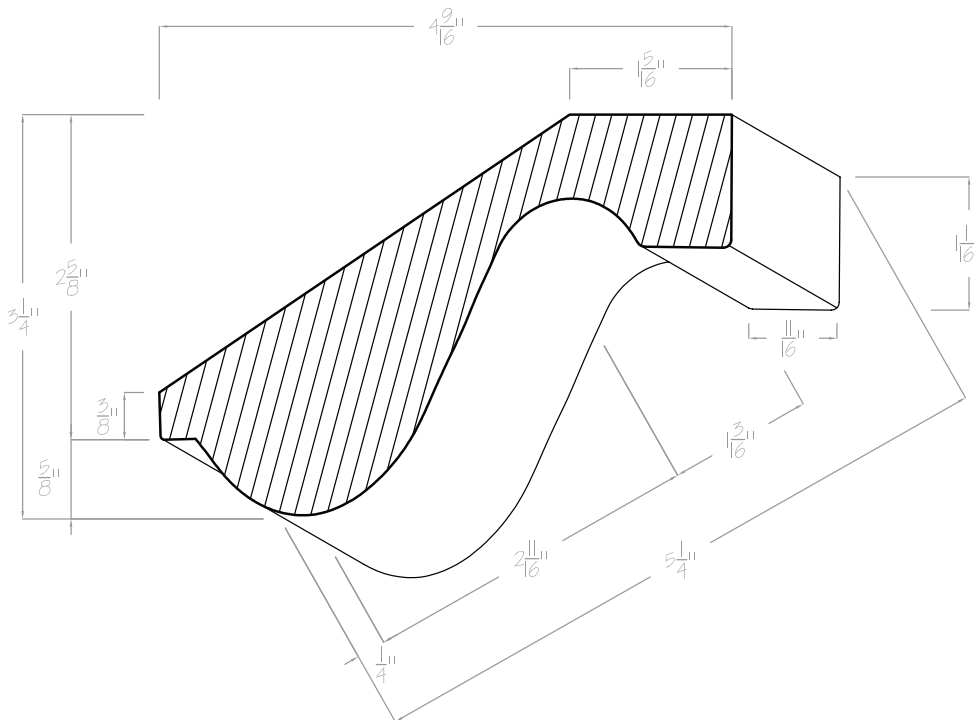
C-7040
(FOR 3/4" DENTIL OR ROPE APPLICATION)



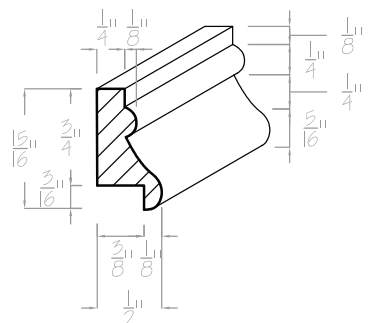
C-7041



C-7043

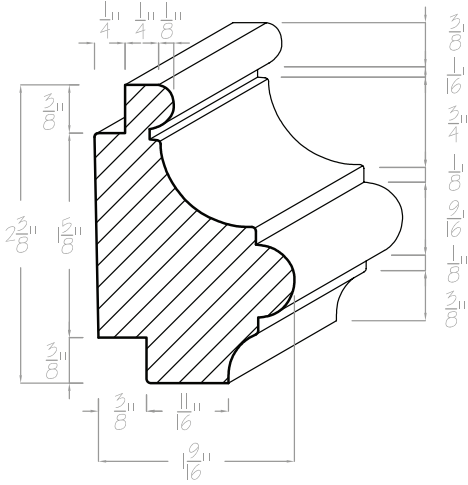


C-7042

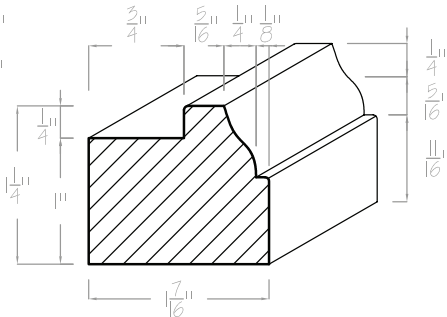


C-7044

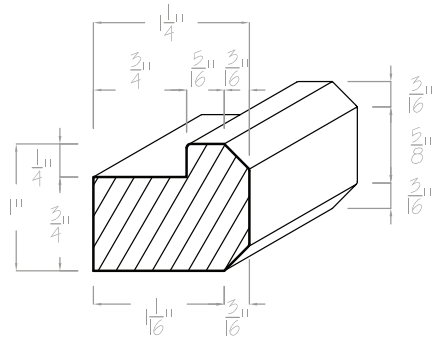
CABINET MOLDING



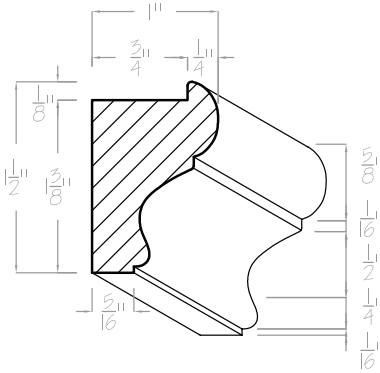
C-7045



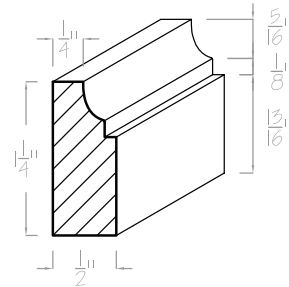
C-7049



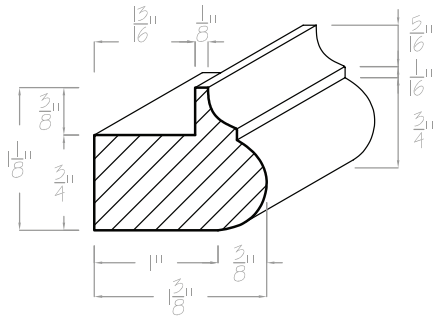
C-7054



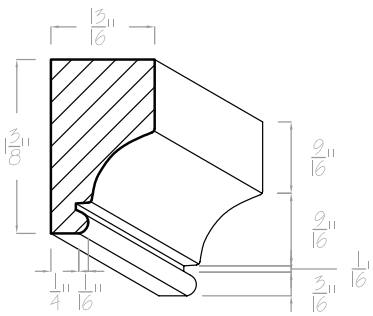
C-7046



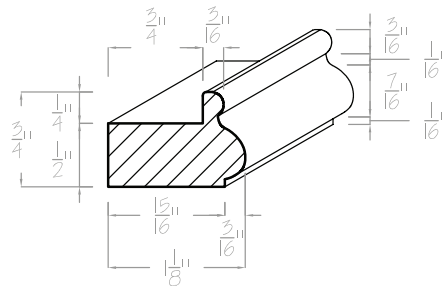
C-7050



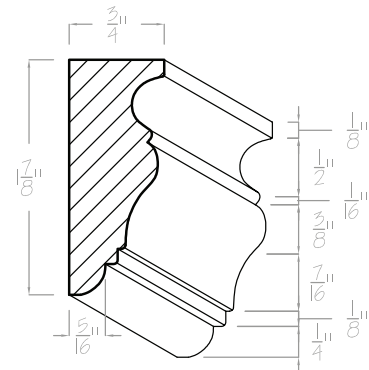
C-7055



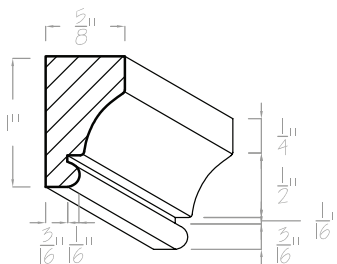
C-7047



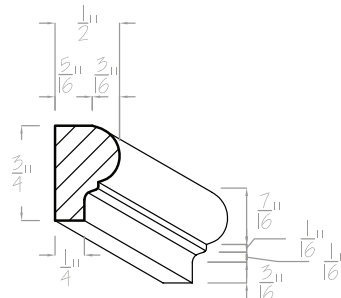
C-7052



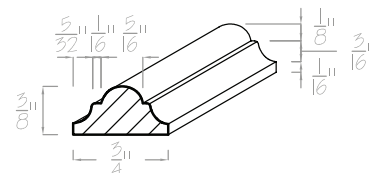
C-7056



C-7047A

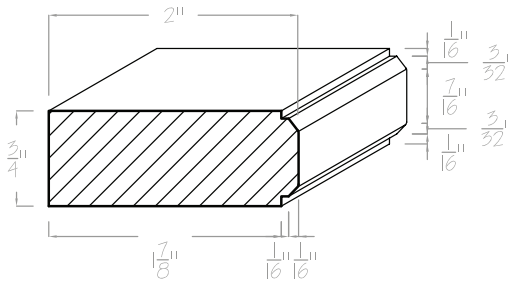


C-7053

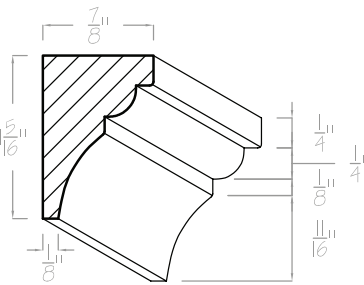


C-7057

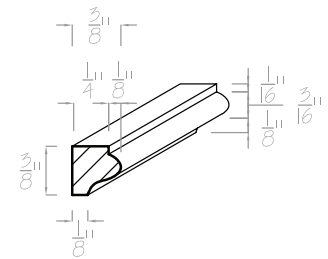
CABINET MOLDING



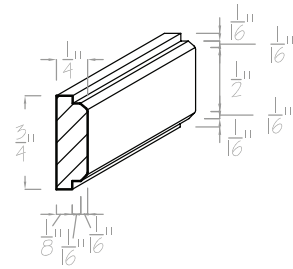
C-7058



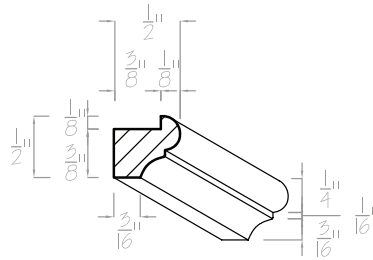
C-7062



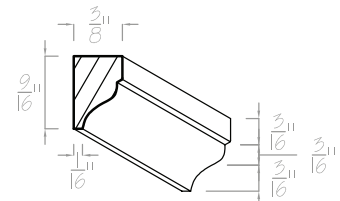
C-7066



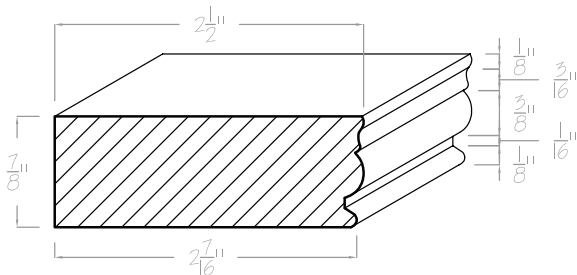
C-7058A



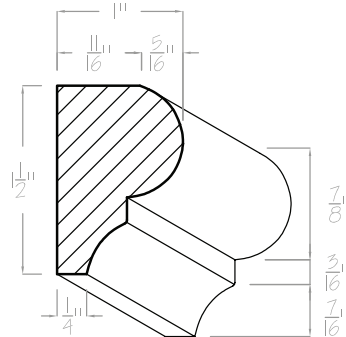
C-7063



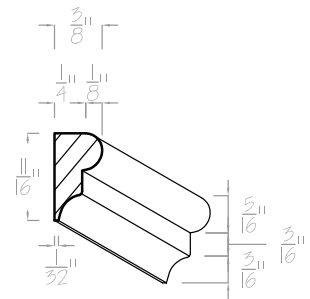
C-7067



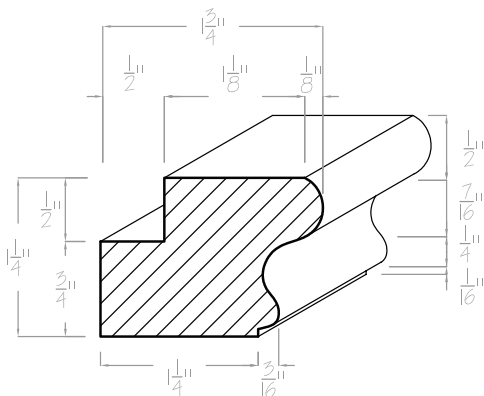
C-7059



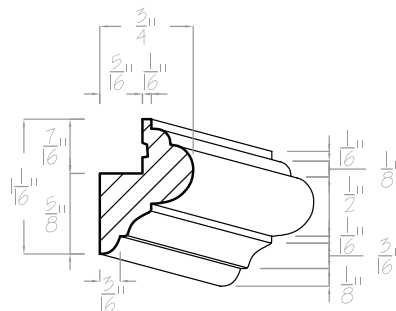
C-7064



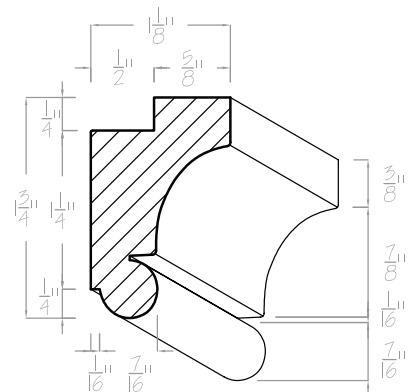
C-7068



C-7060

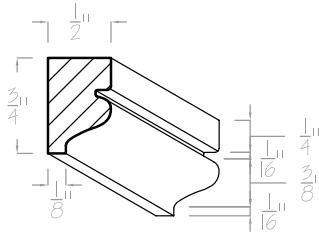


C-7065

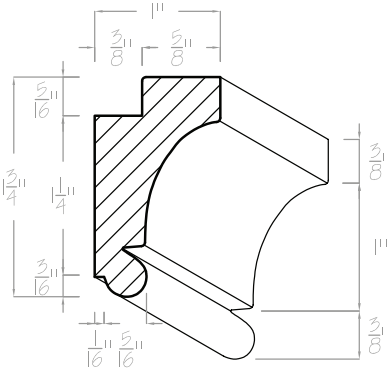


C-7069

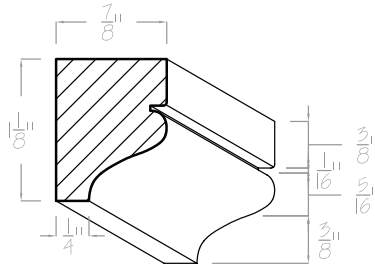
CABINET MOLDING



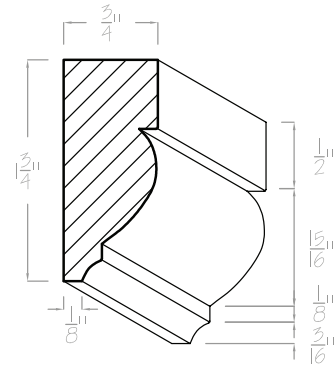
C-7073



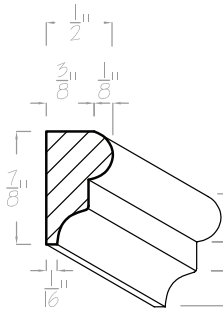
C-7069A



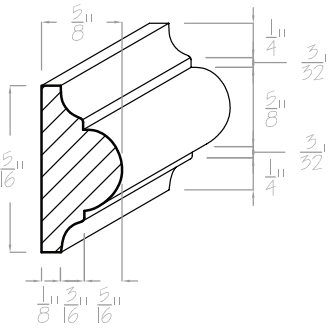
C-7073A



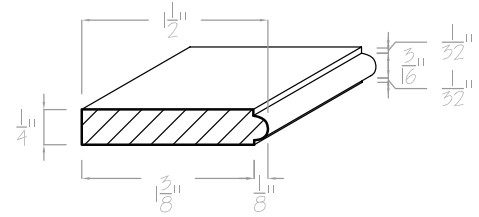
C-7077



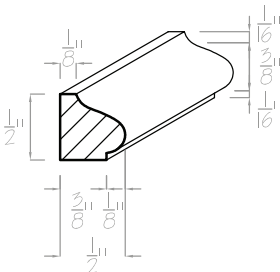
C-7070



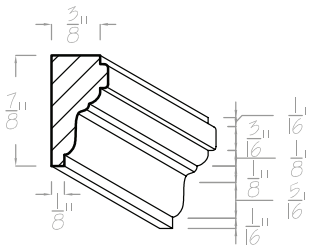
C-7074



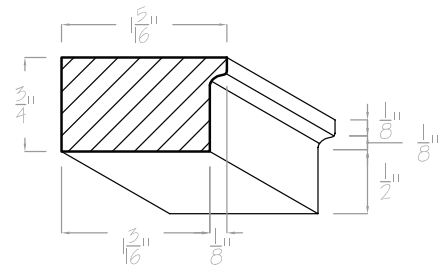
C-7078



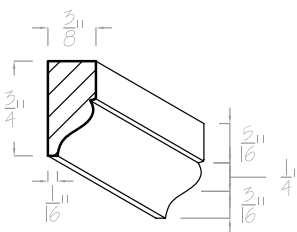
C-7071



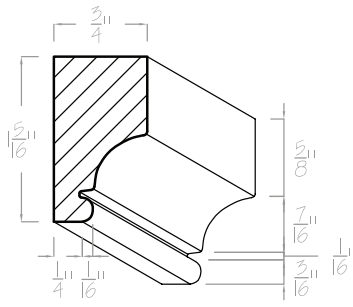
C-7075



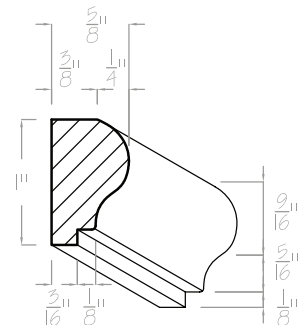
C-7080



C-7072

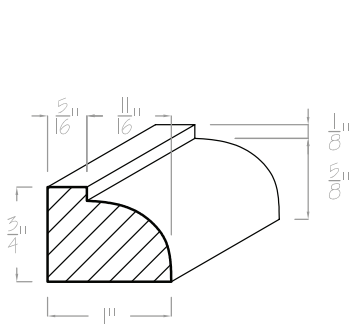


C-7076

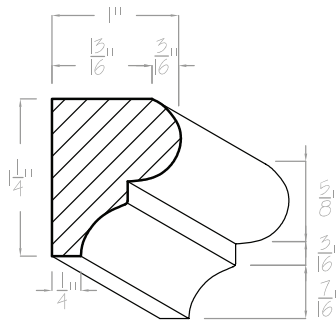


C-7081

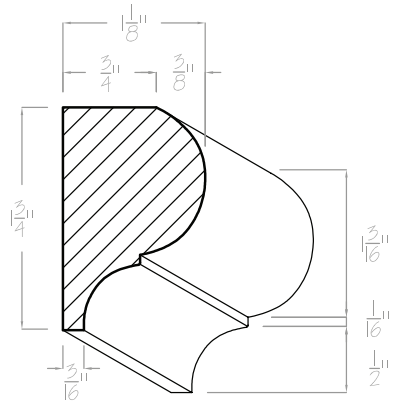
CABINET MOLDING



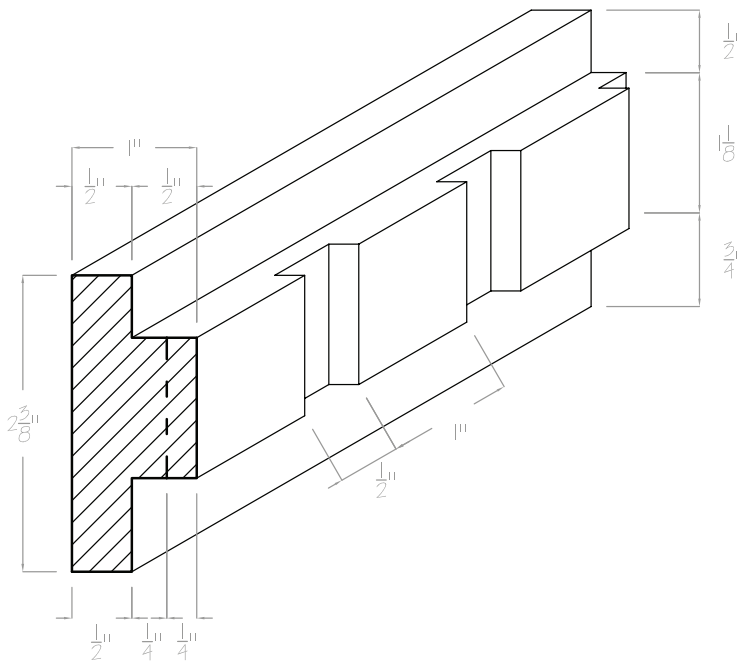
C-7082



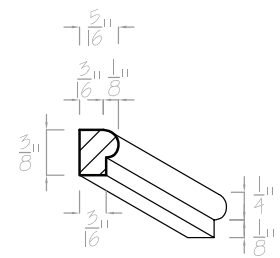
C-7085



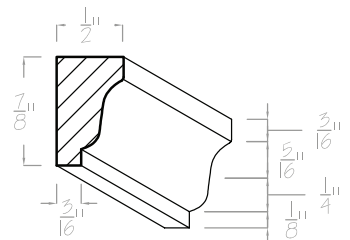
C-7087



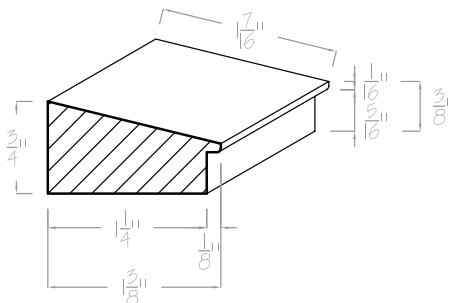
C-7083



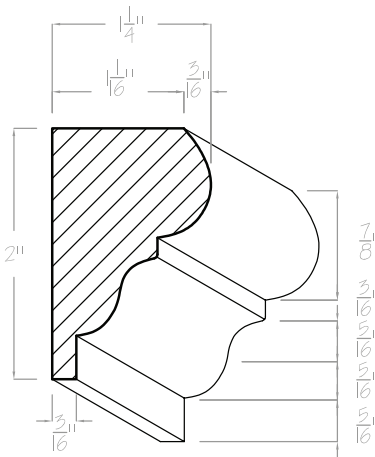
C-7088



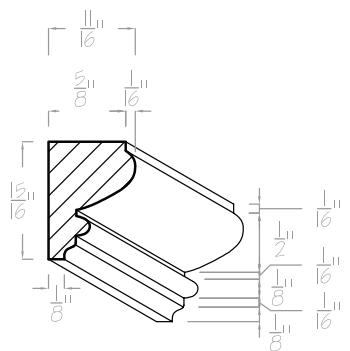
C-7089



C-7084

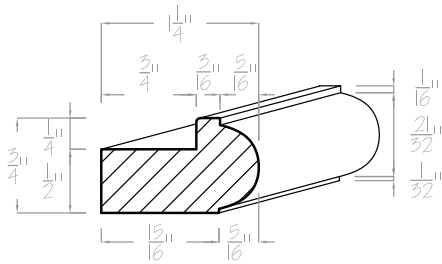


C-7086

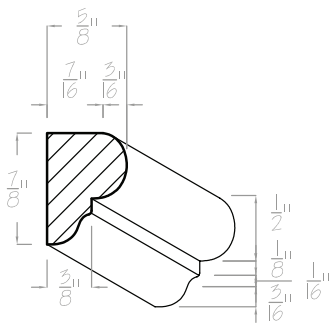


C-7090

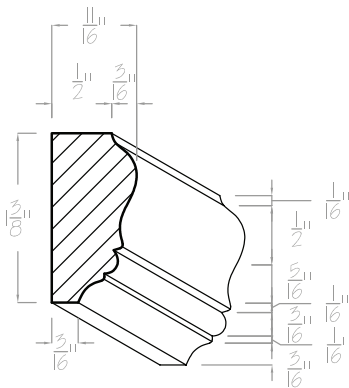
CABINET MOLDING



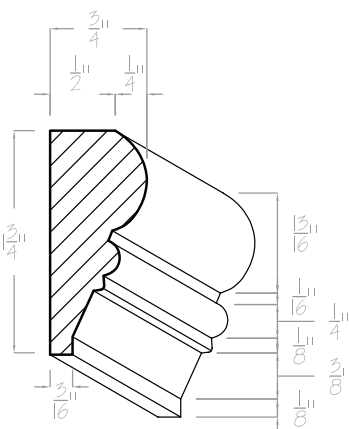
C-7091



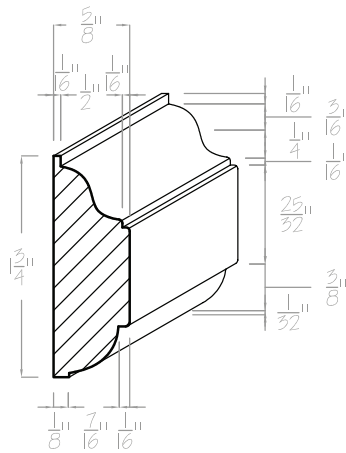
C-7092



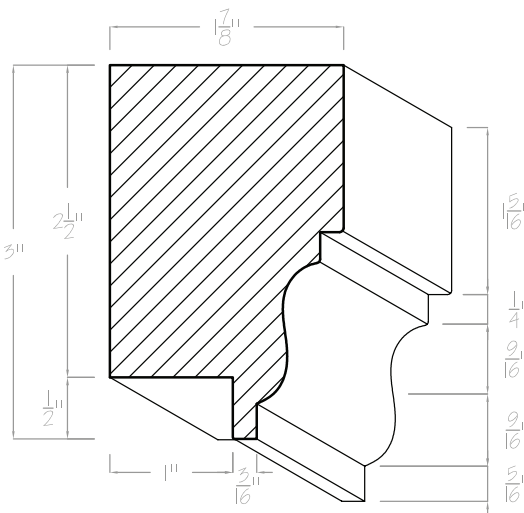
C-7093



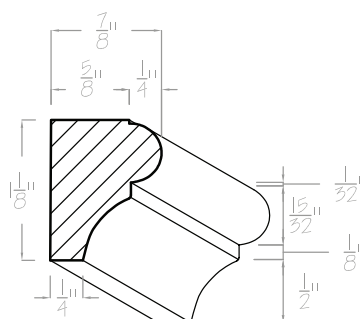
C-7094



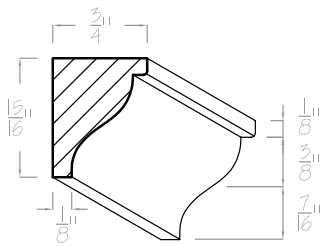
C-7095



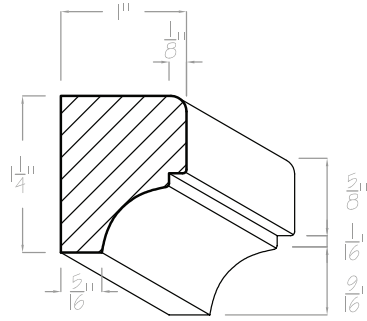
C-7096



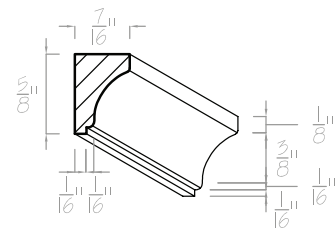
C-7097



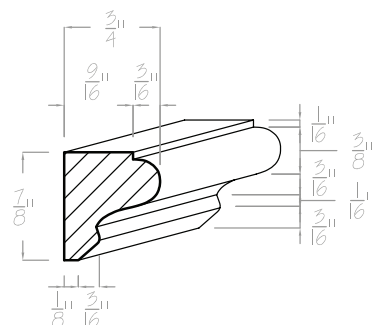
C-7098



C-7099



C-7100



C-7101

