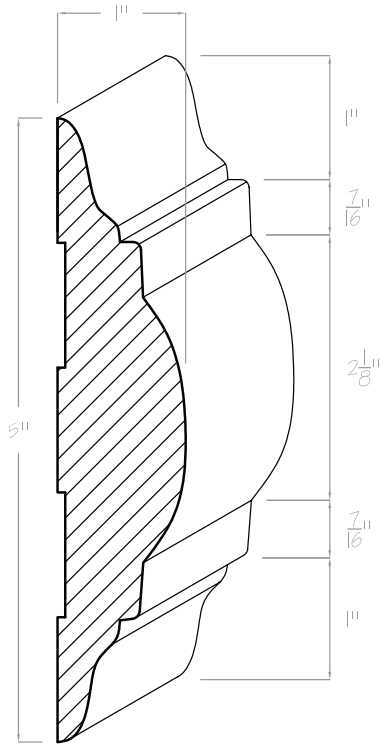
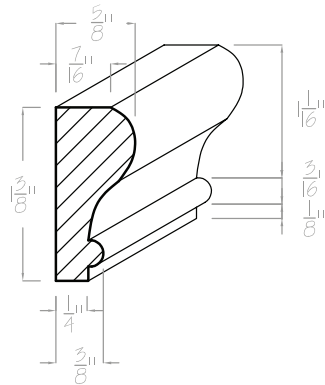


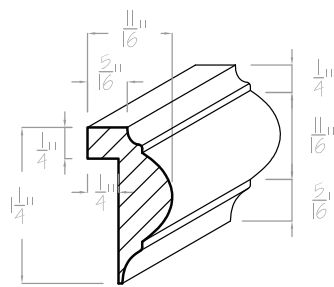
CHAIR RAIL MOLDING



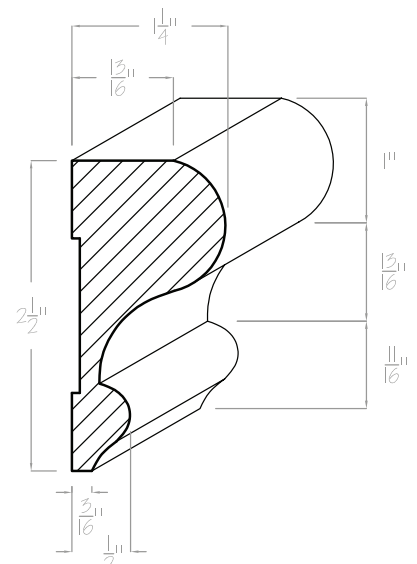
C-101



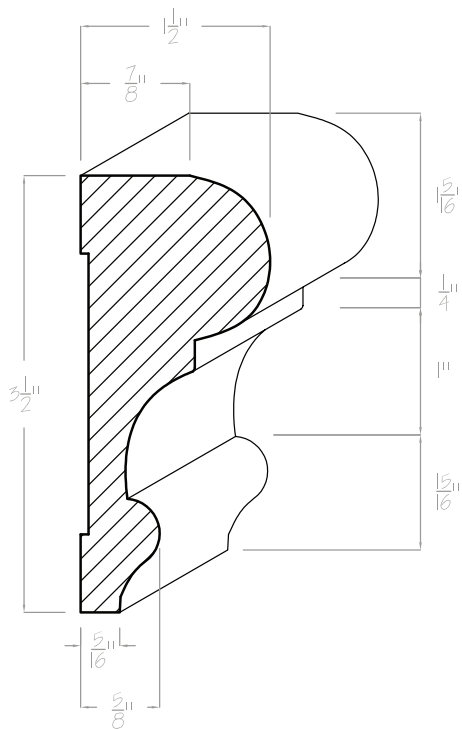
C-103



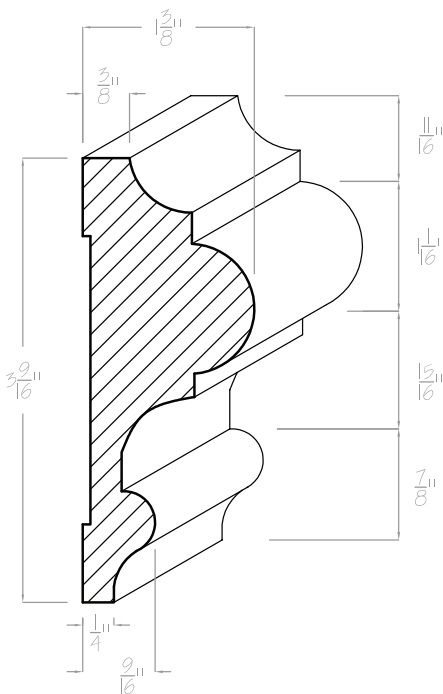
C-104



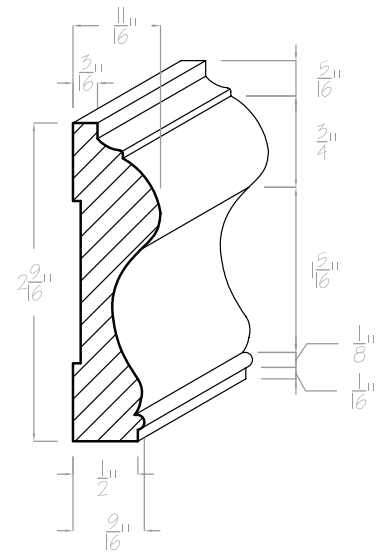
C-106



C-102

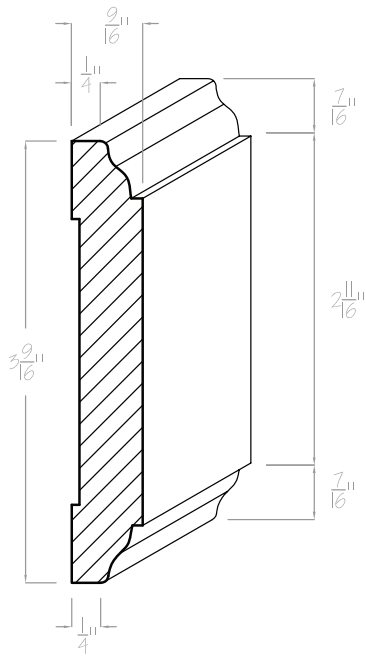


C-105

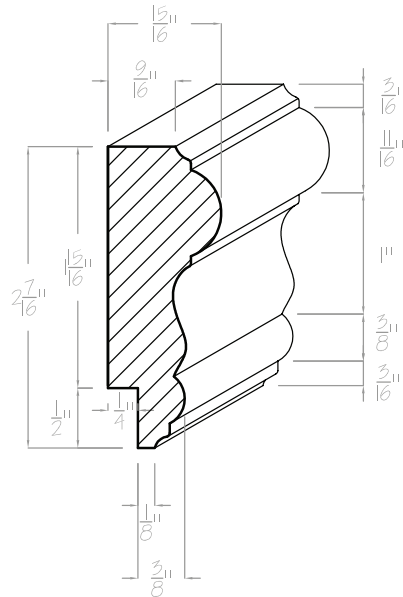


C-107

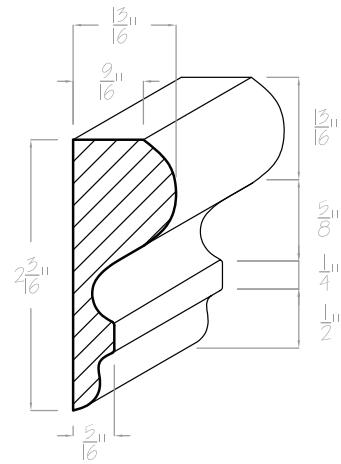
CHAIR RAIL MOLDING



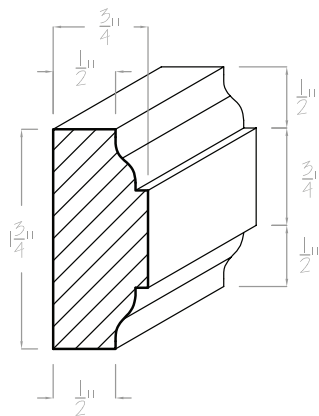
C-108



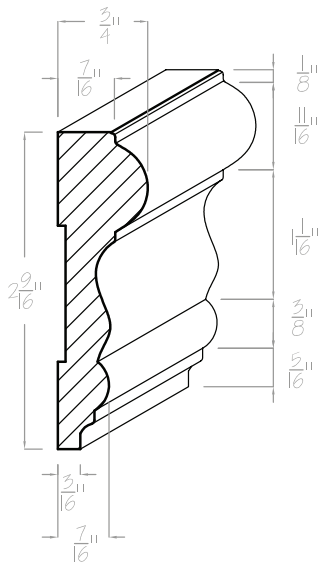
S-109A



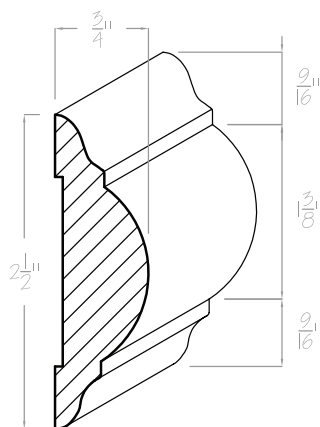
C-112



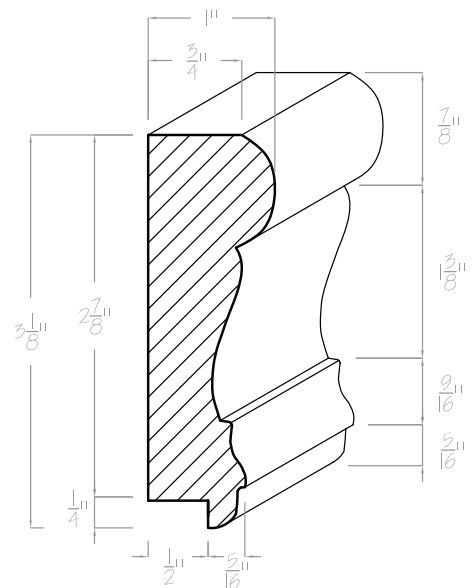
C-110



S-109

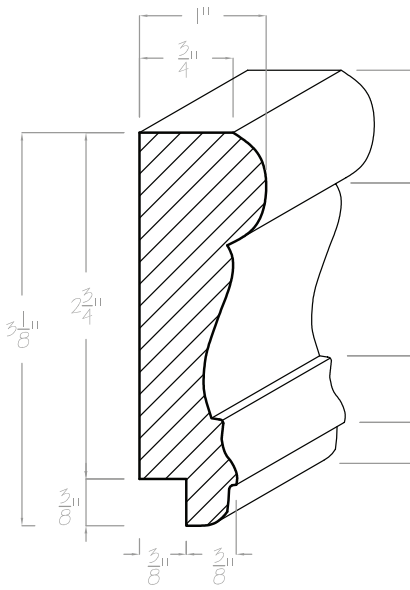


C-111

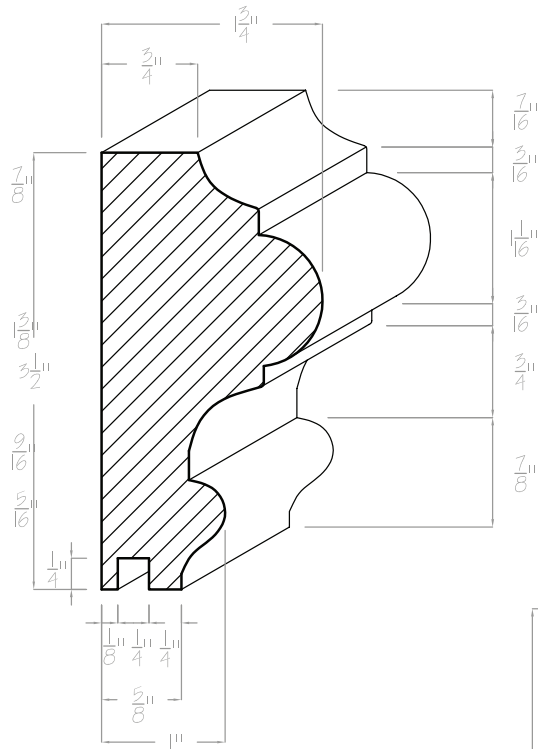


C-113

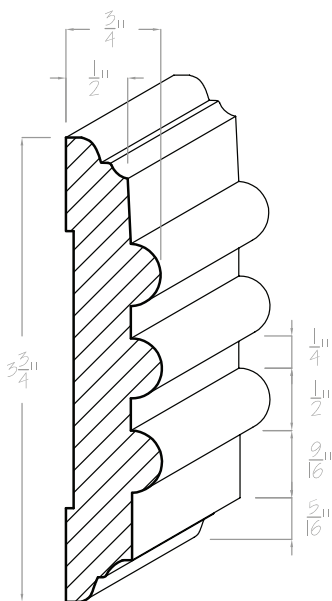
CHAIR RAIL MOLDING



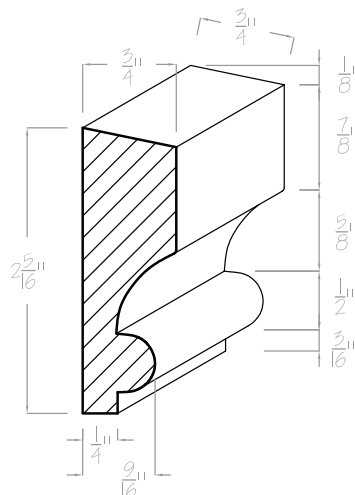
C-113A



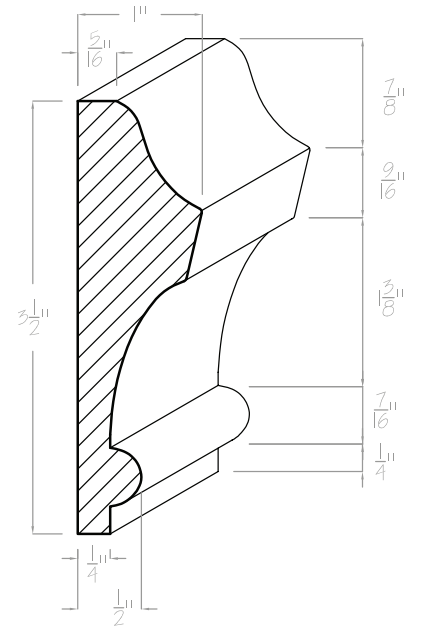
C-115



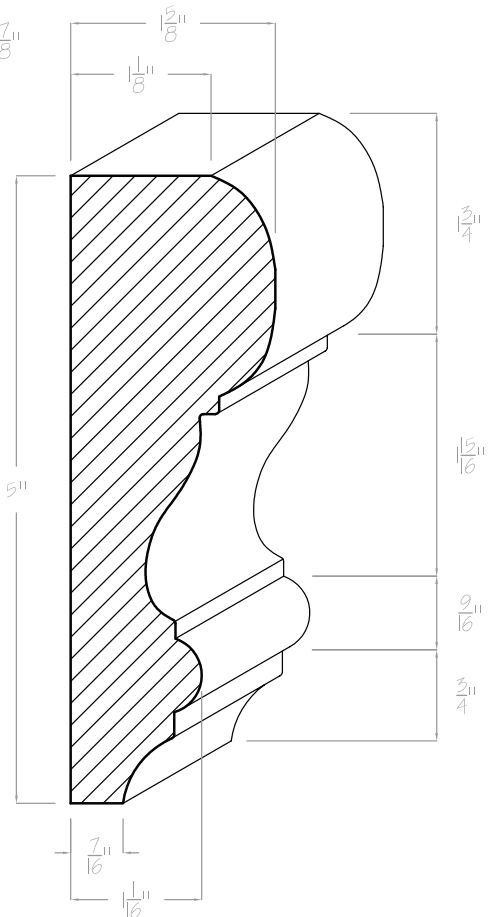
C-114



C-116

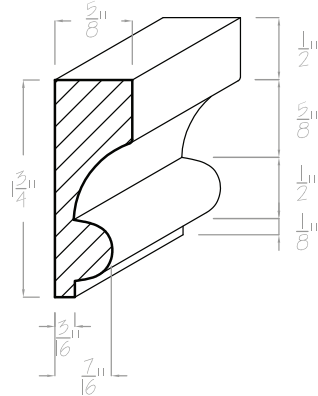


C-117

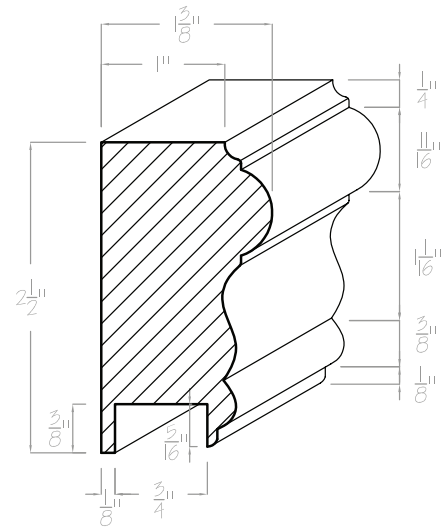


C-118

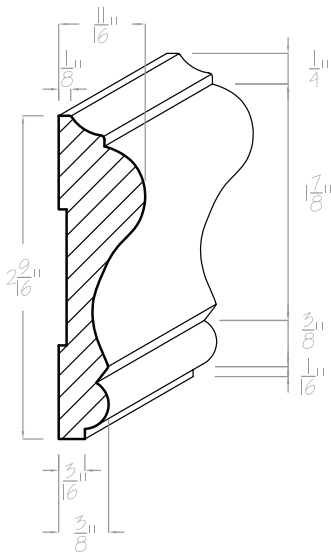
CHAIR RAIL MOLDING



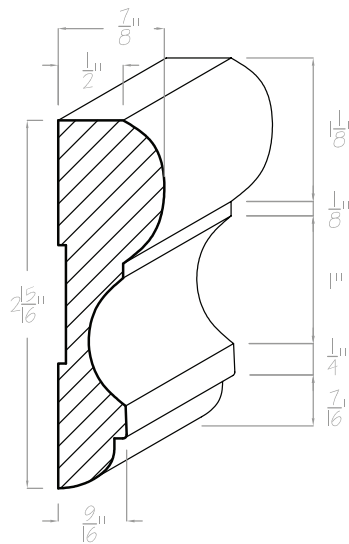
C-122



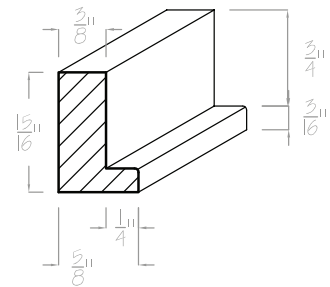
C-125A



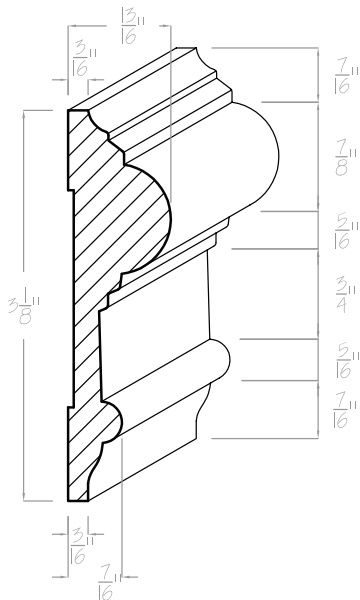
C-119



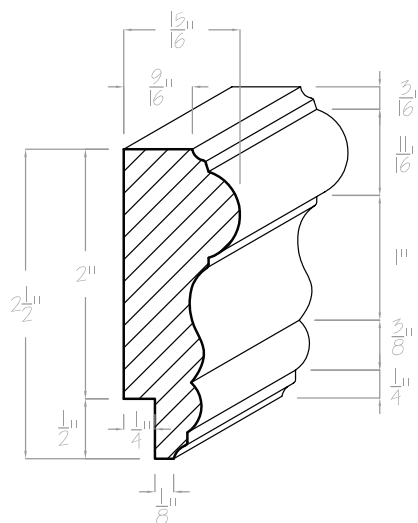
C-123



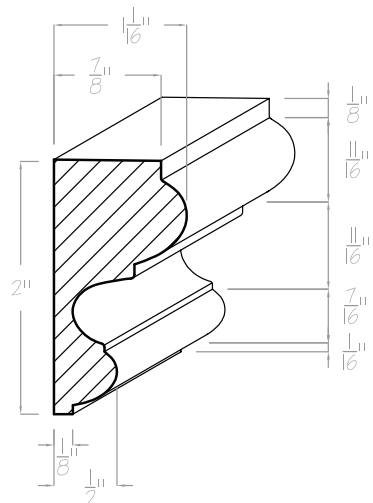
C-125F



C-120

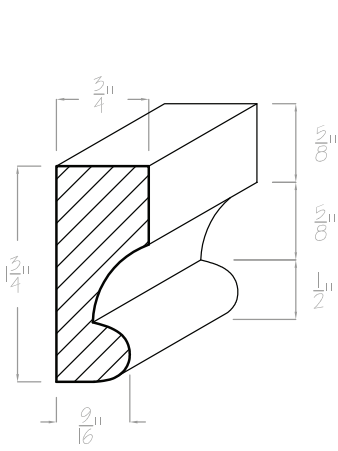


C-125

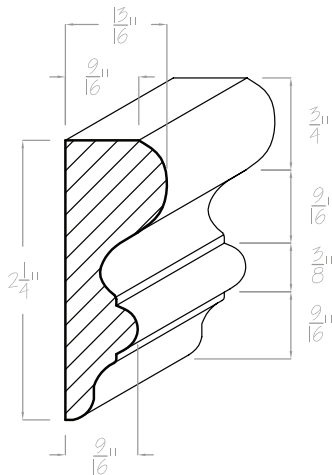


C-126

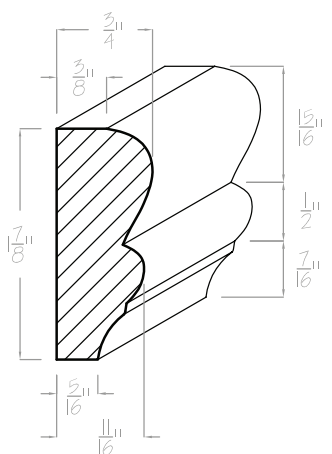
CHAIR RAIL MOLDING



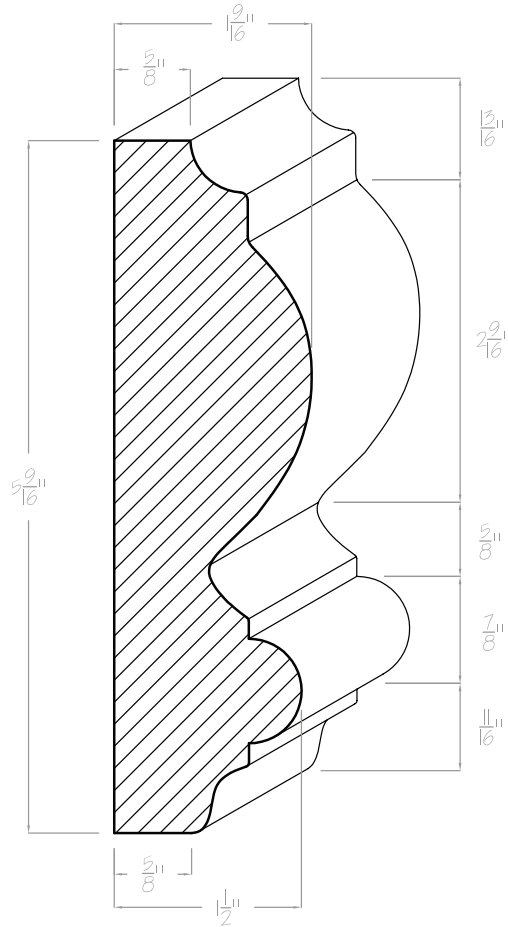
C-127



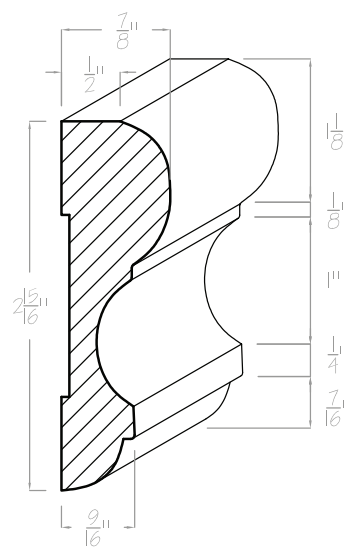
C-128



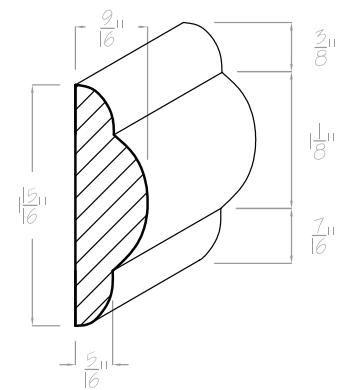
C-129



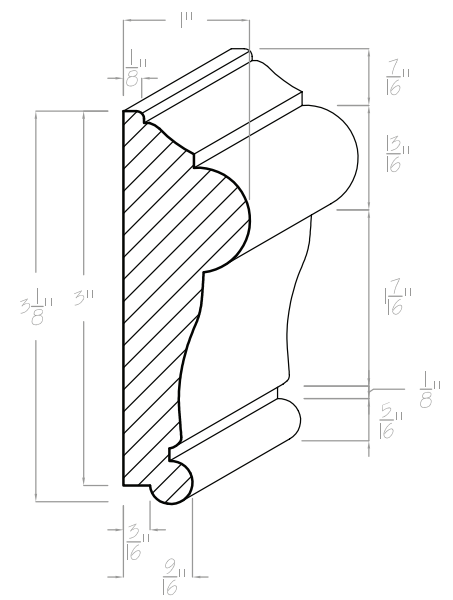
C-131



C-132

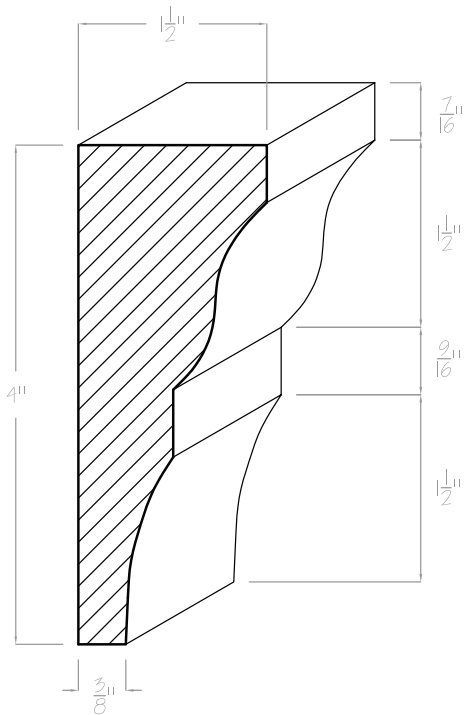


C-133

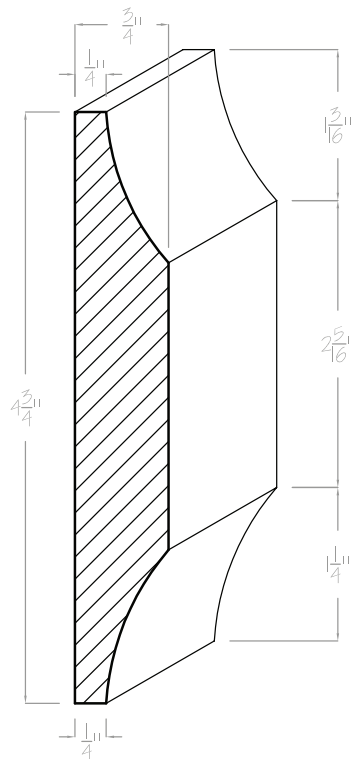


C-134

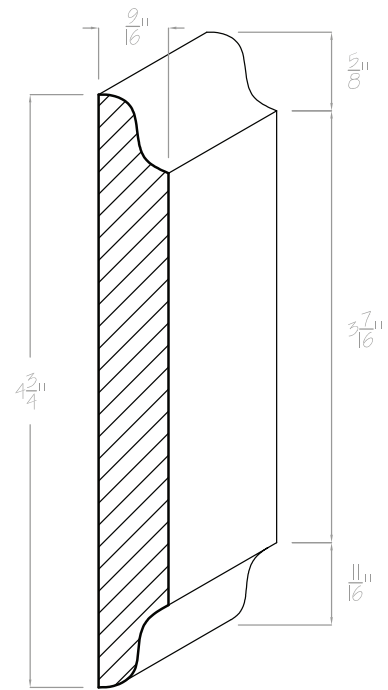
CHAIR RAIL MOLDING



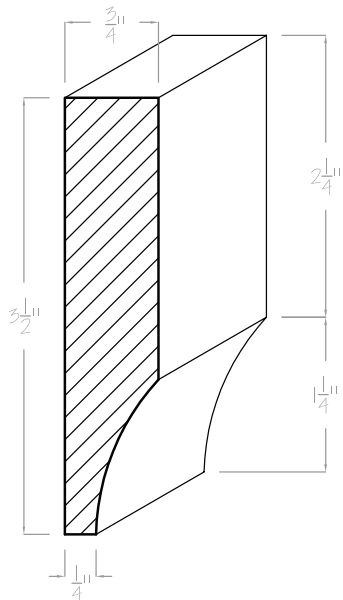
C-135



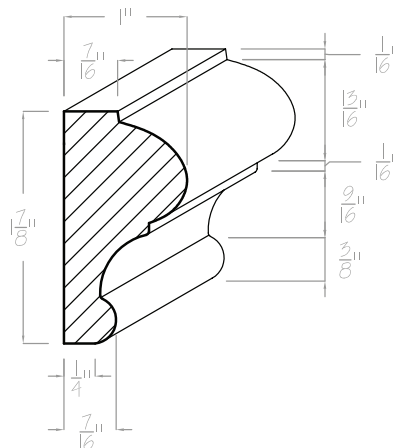
C-137



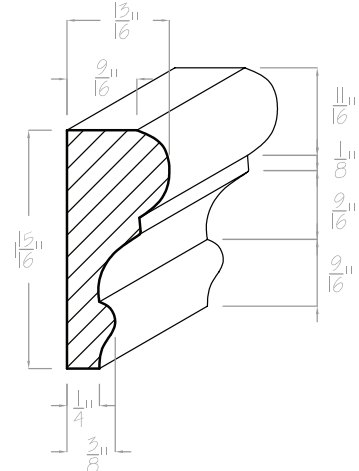
C-139



C-136

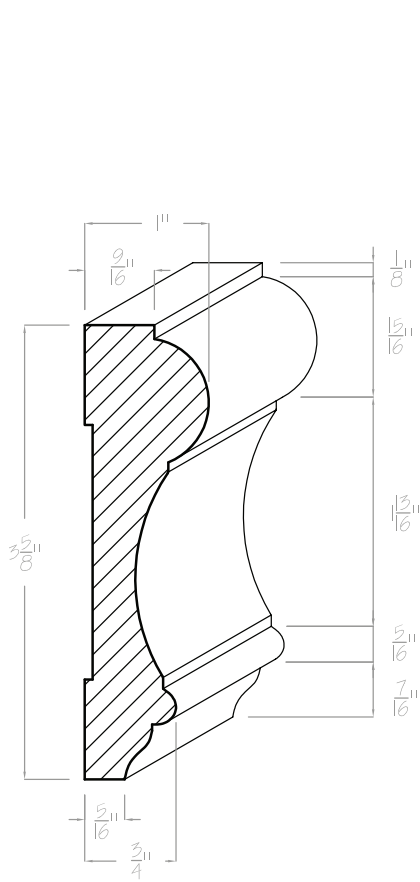


C-138

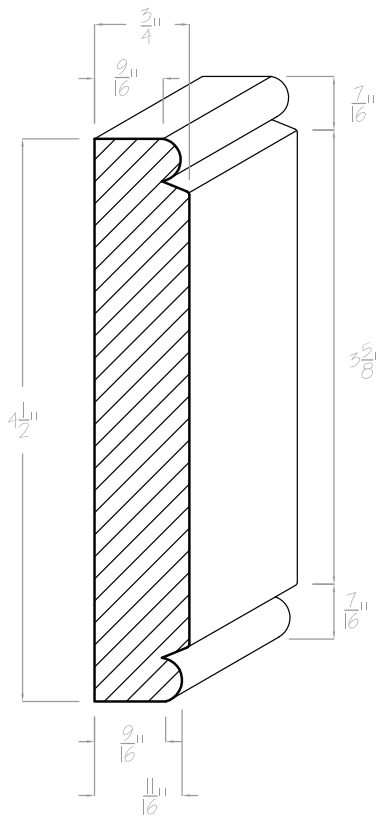


C-140

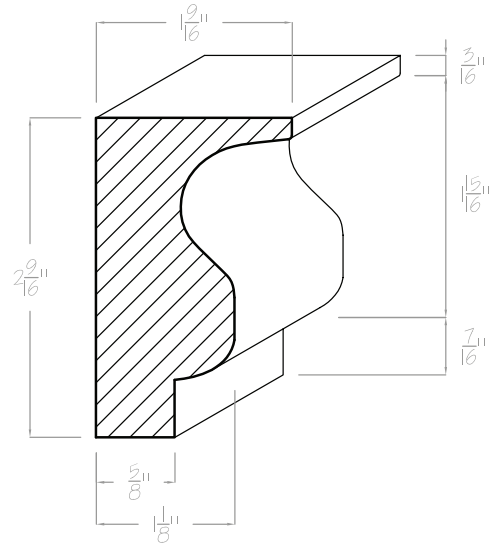
CHAIR RAIL MOLDING



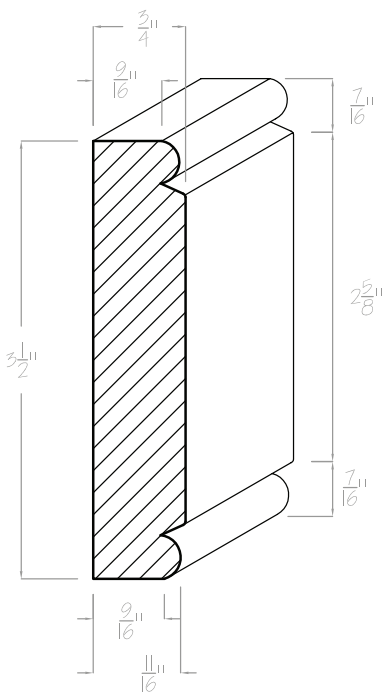
C-141



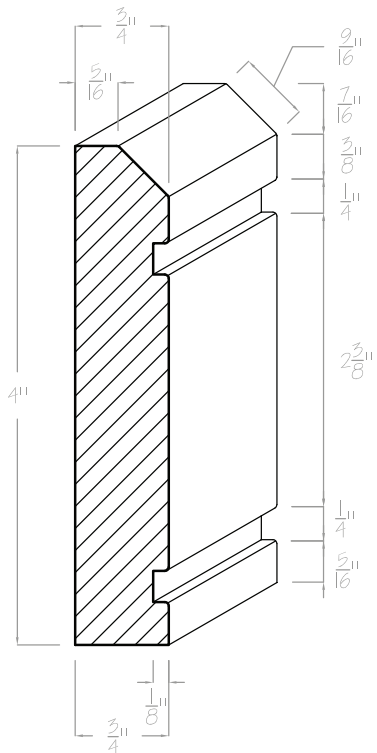
S-143



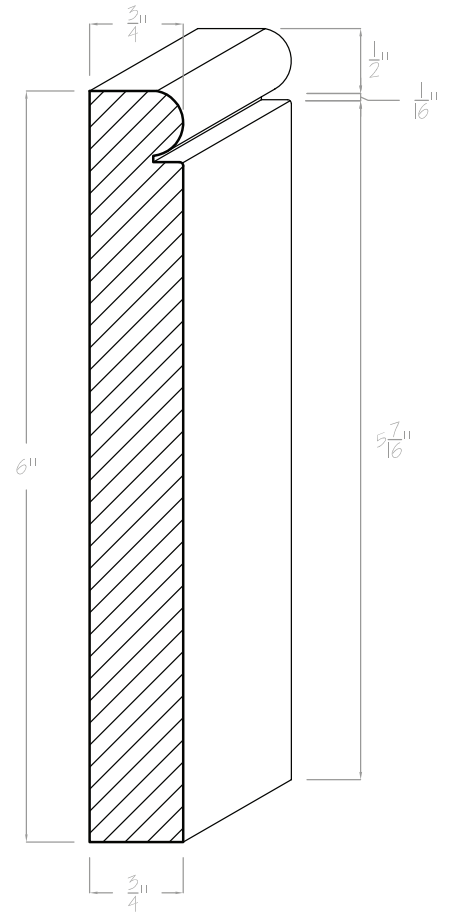
C-146



S-142

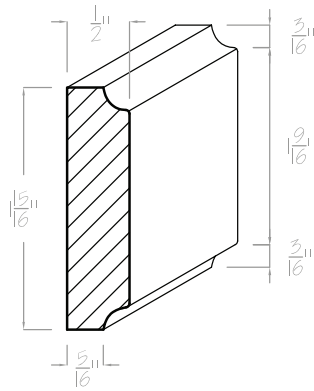


C-145

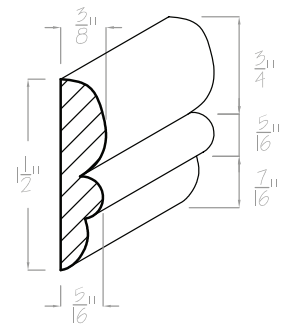


C-147

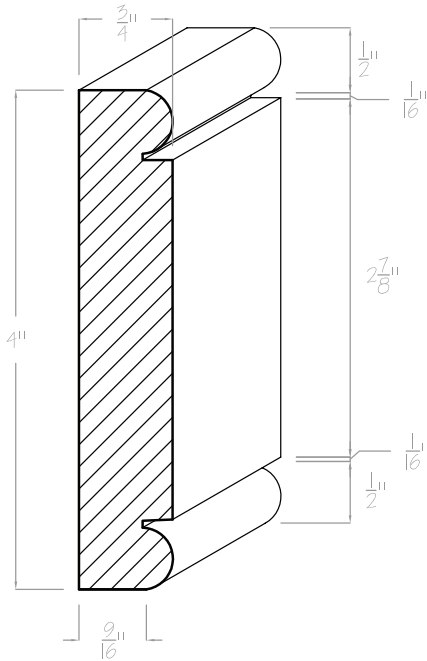
CHAIR RAIL MOLDING



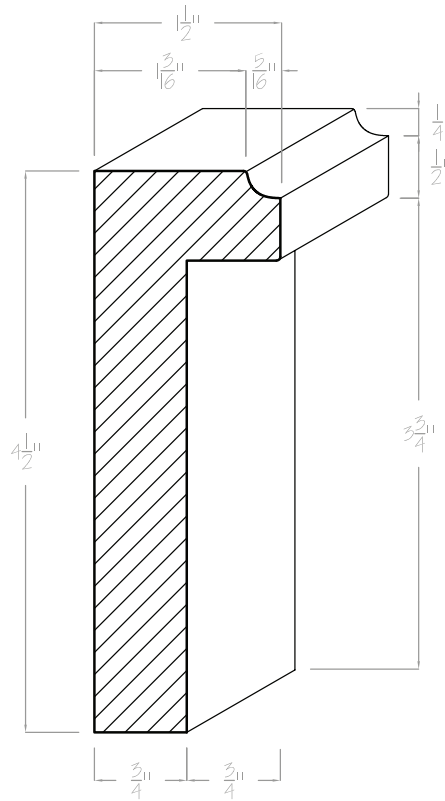
C-148



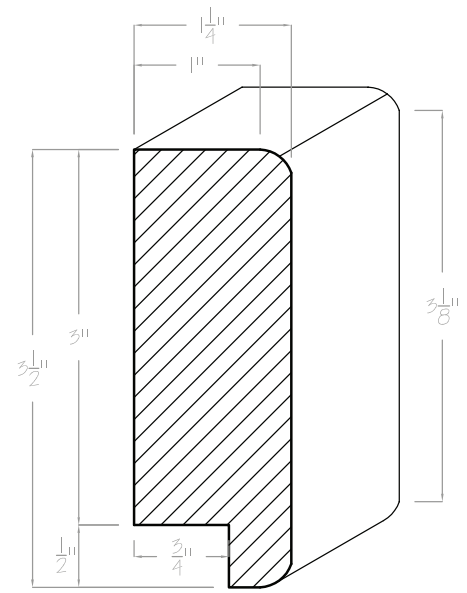
C-149



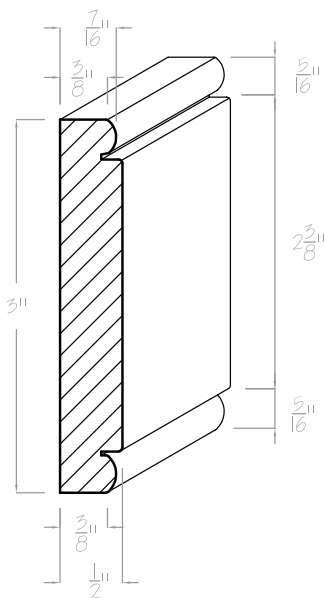
C-147A



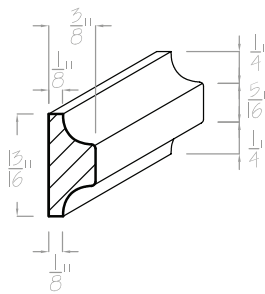
C-148B



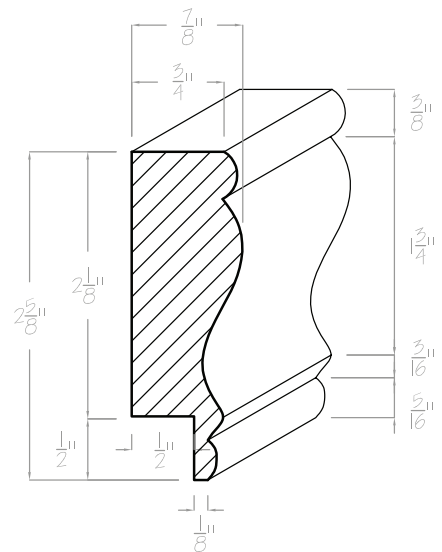
C-150



C-147B

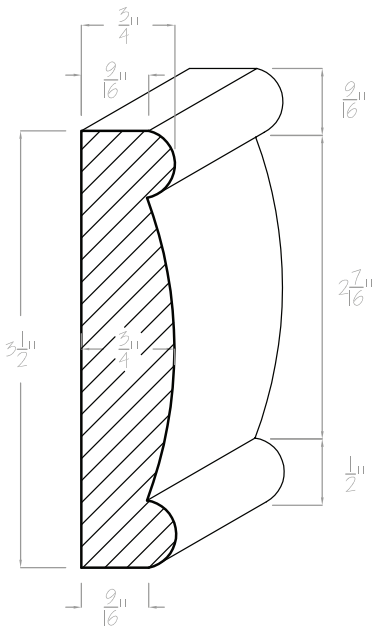


C-148A

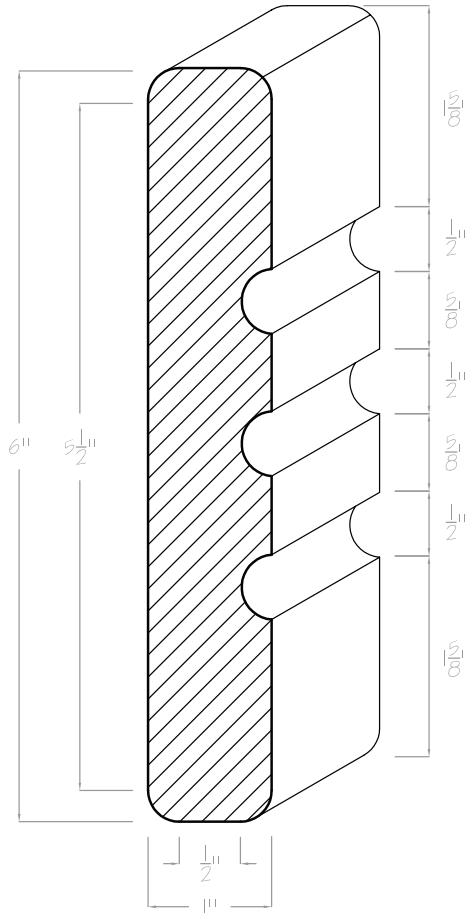


C-151A

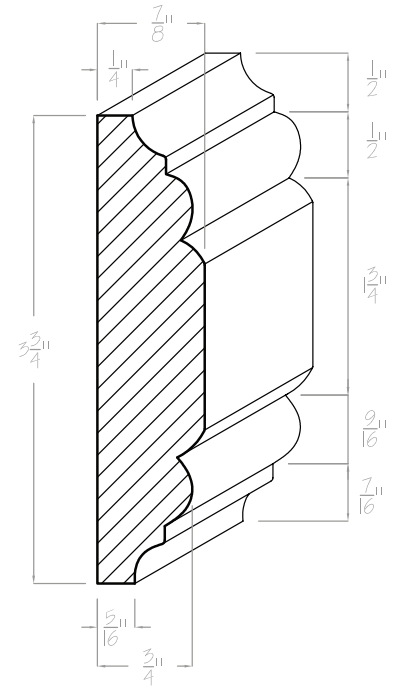
CHAIR RAIL MOLDING



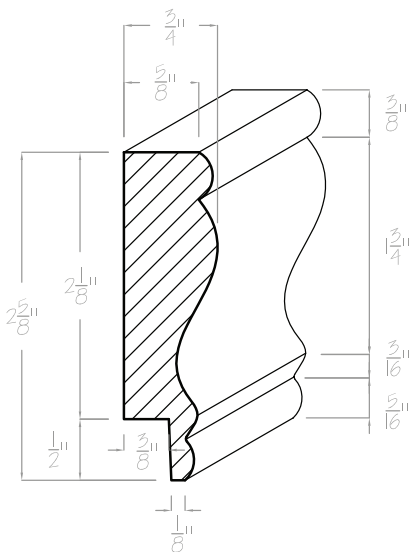
C-152



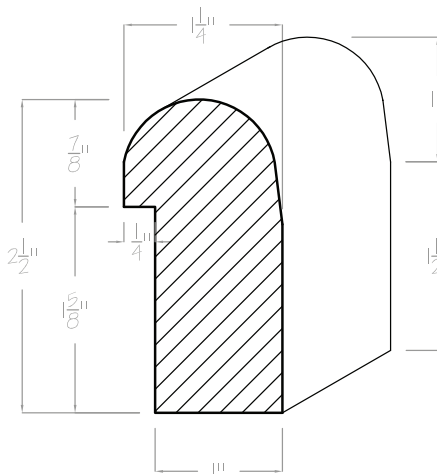
C-153



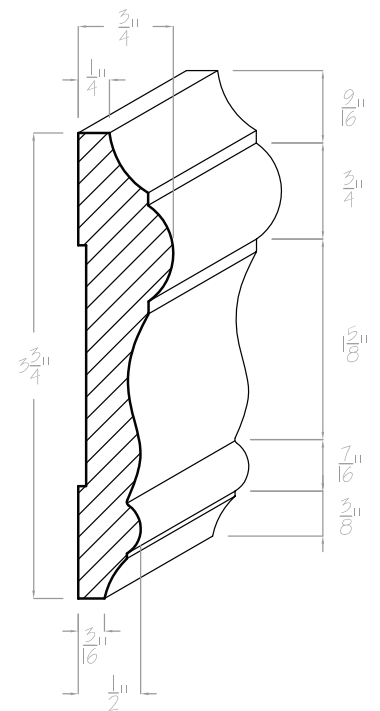
S-155



C-151

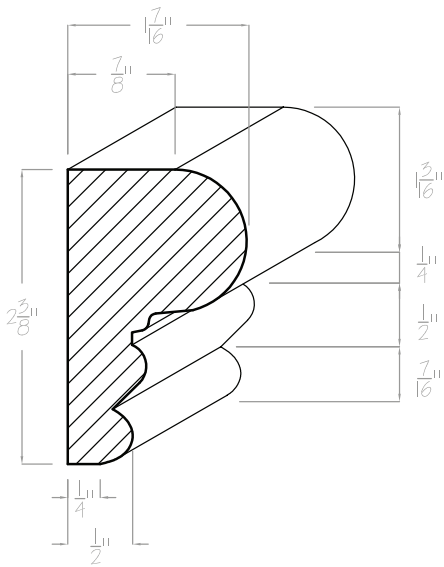


C-154

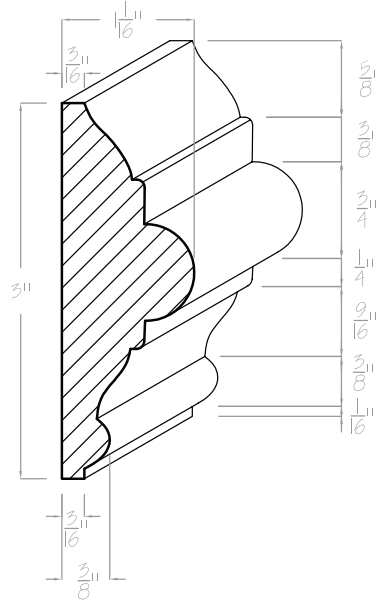


C-156

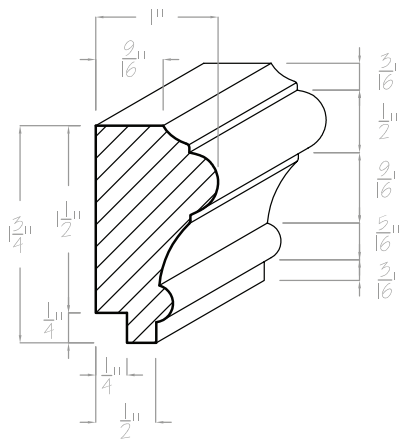
CHAIR RAIL MOLDING



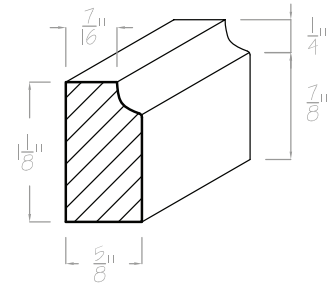
C-157



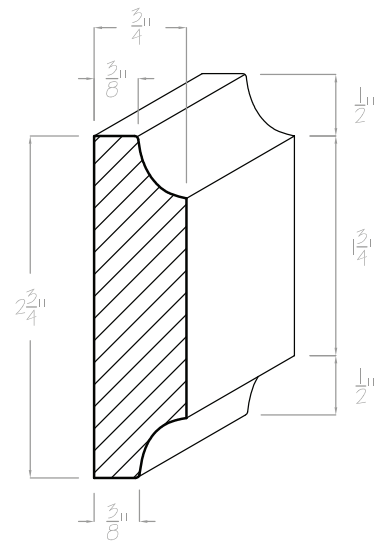
C-159



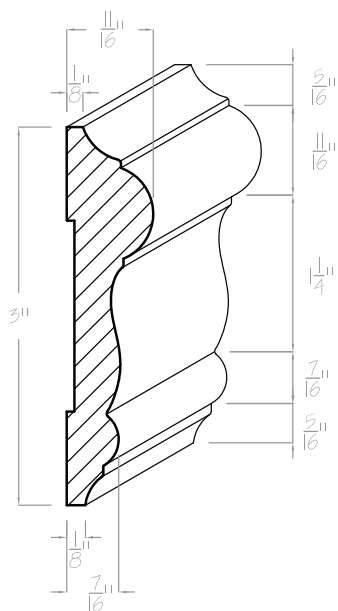
C-160



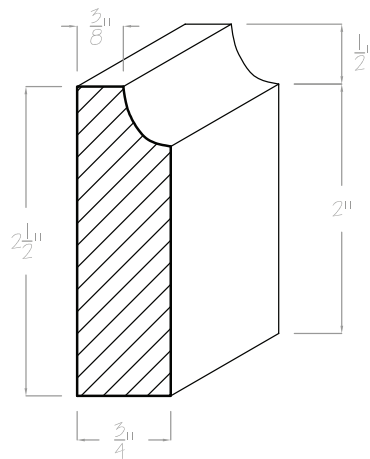
C-161A



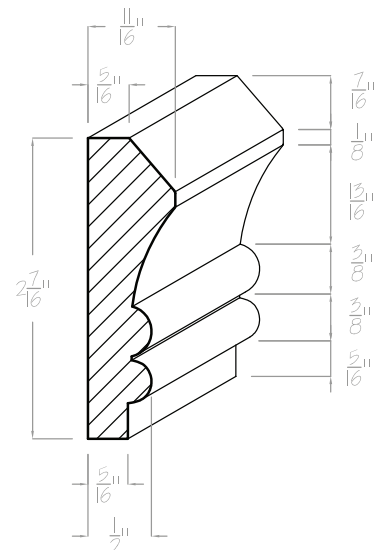
C-162



C-158

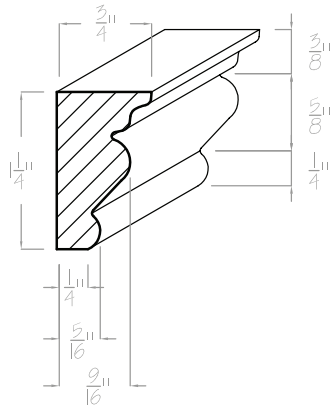


C-161

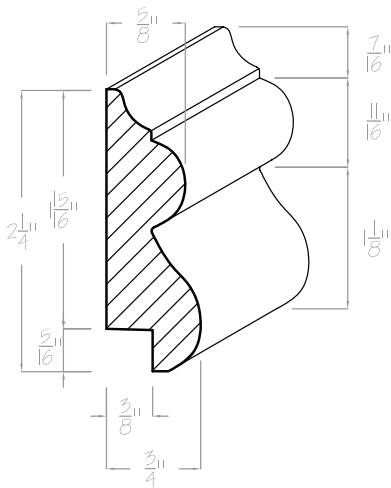


C-163

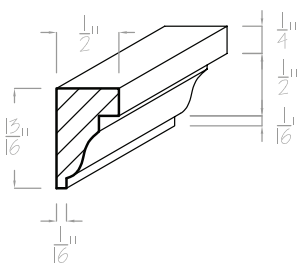
CHAIR RAIL MOLDING



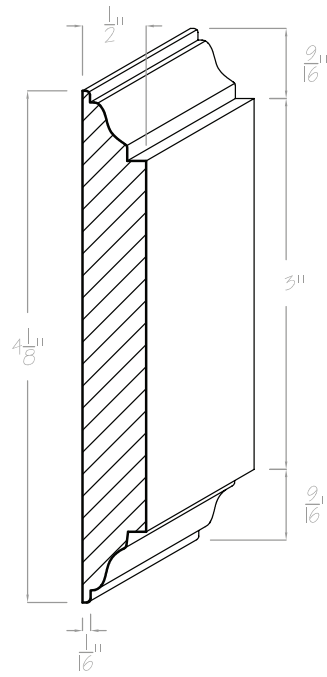
C-164



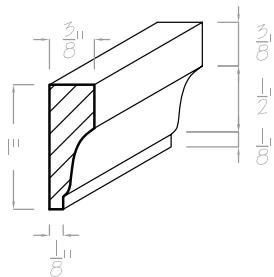
C-167



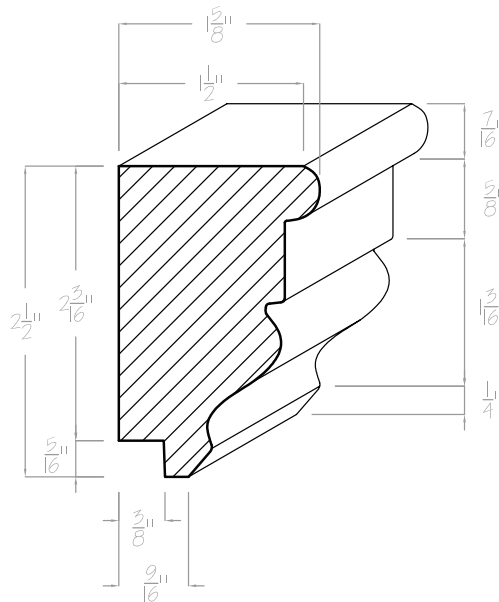
C-168



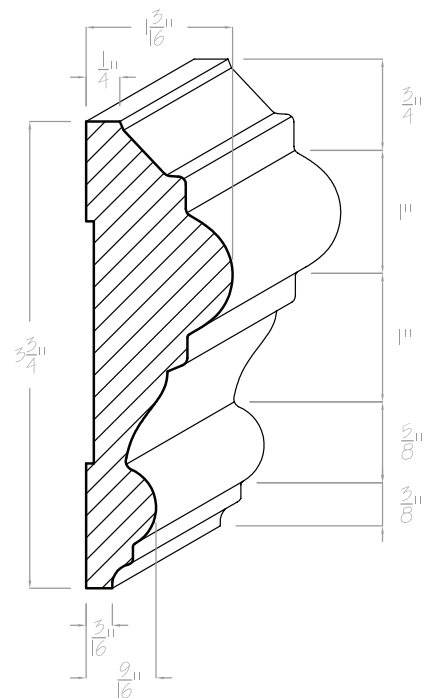
C-168A



C-169

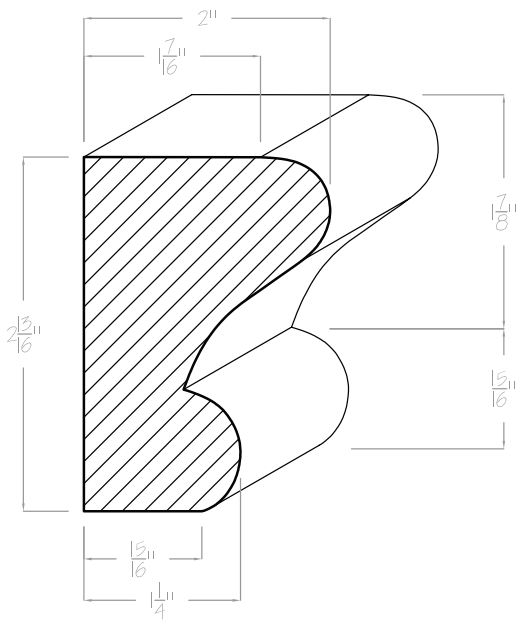


C-170

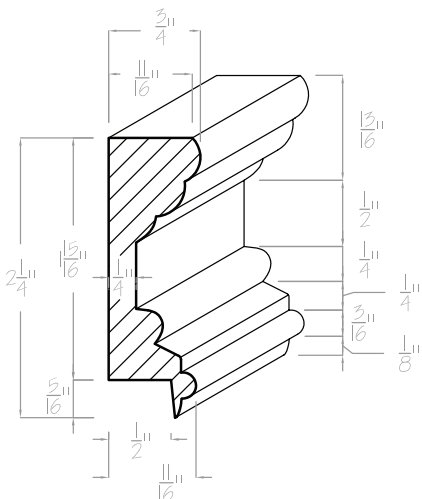


C-171

CHAIR RAIL MOLDING



C-173



C-746



NOTES

.....

.....

.....

.....

.....

.....

.....

.....

.....

.....

.....

.....

.....

.....

.....

.....

.....

.....

.....

.....

.....

.....

.....

.....