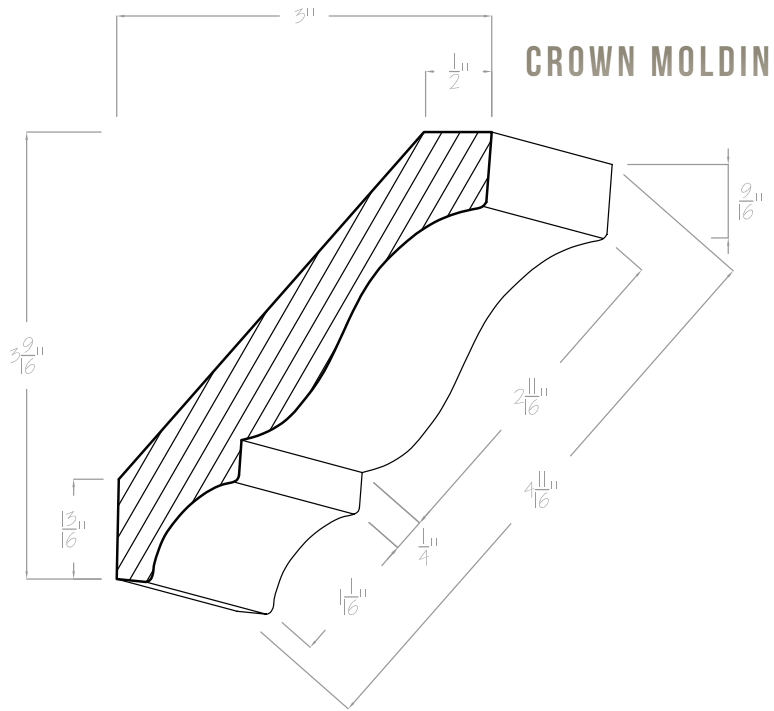
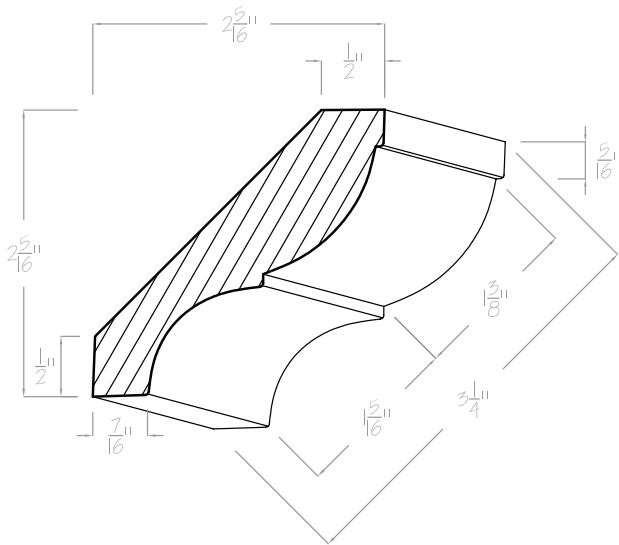


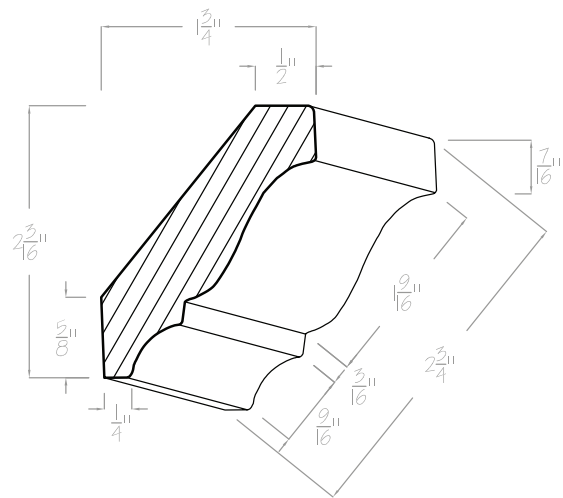
CROWN MOLDING



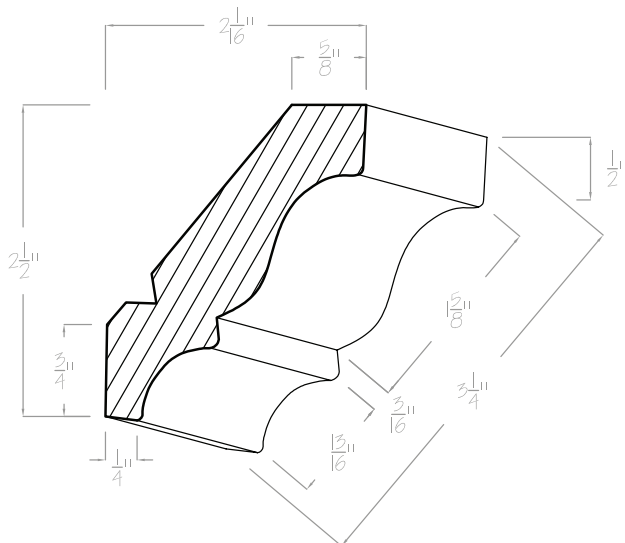
C-302



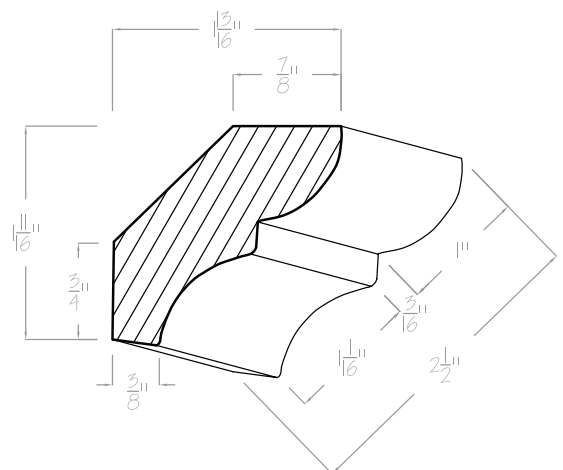
C-300



C-303

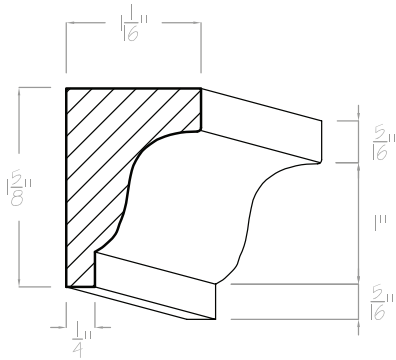


S-301

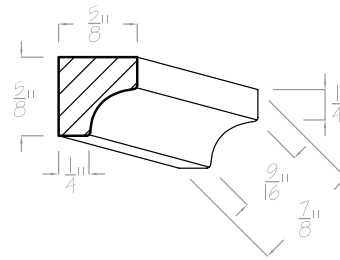


C-304

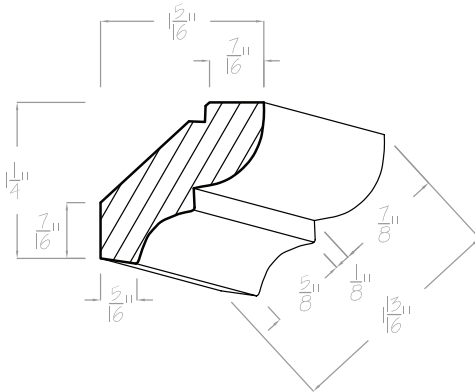
CROWN MOLDING



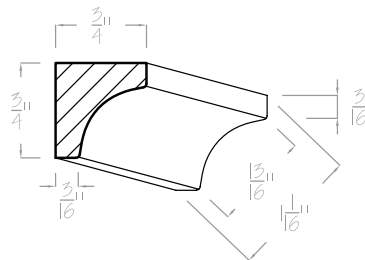
C-305
CABINET CROWN



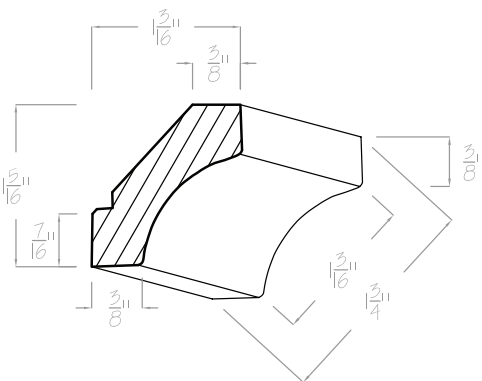
S-308
OTHER SIZES
AVAILABLE



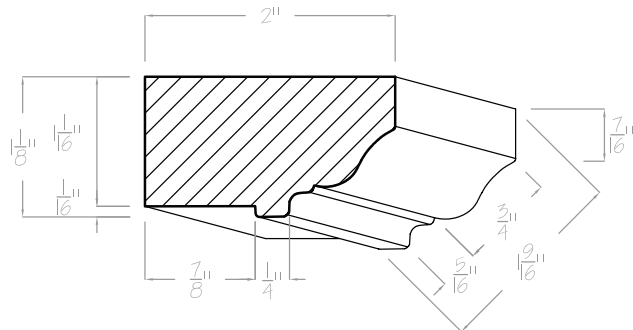
C-306
BED MOLDING



S-309
OTHER SIZES
AVAILABLE

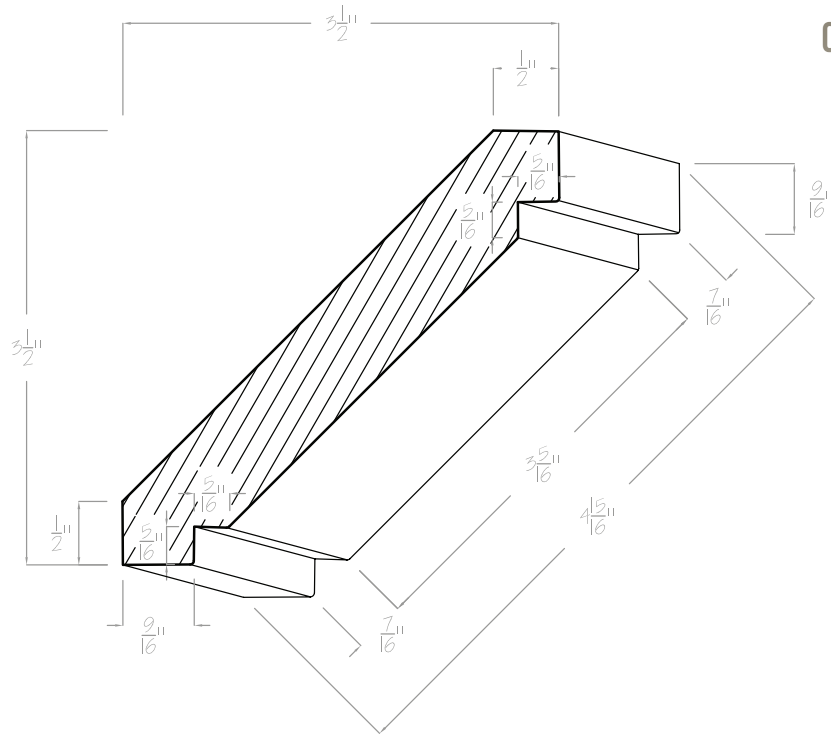


C-307

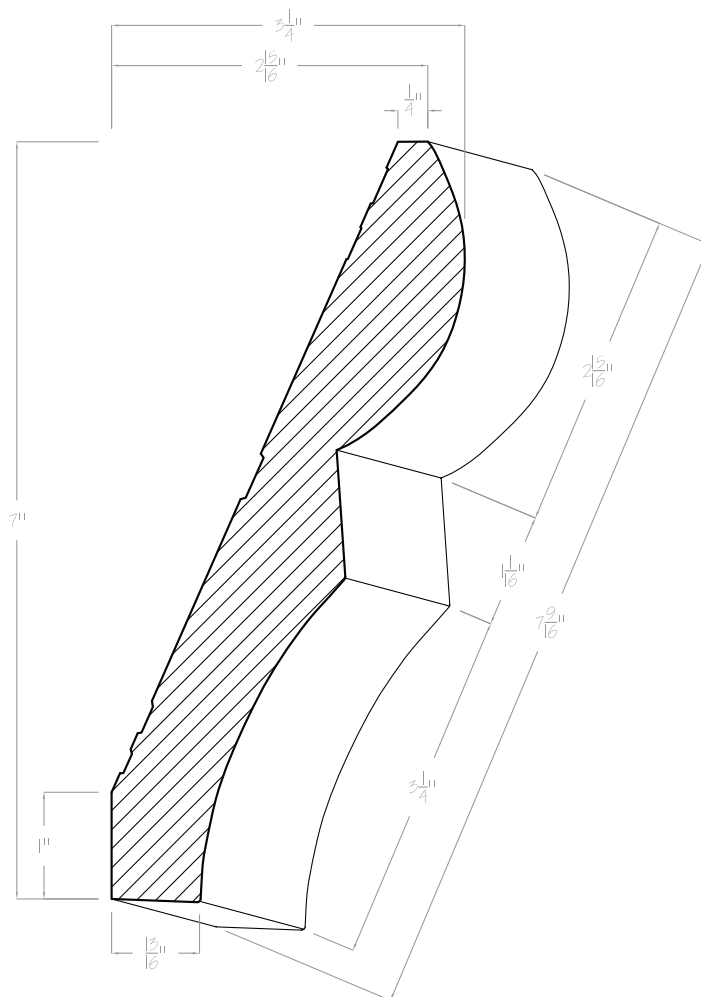


C-310
CABINET CROWN

CROWN MOLDING

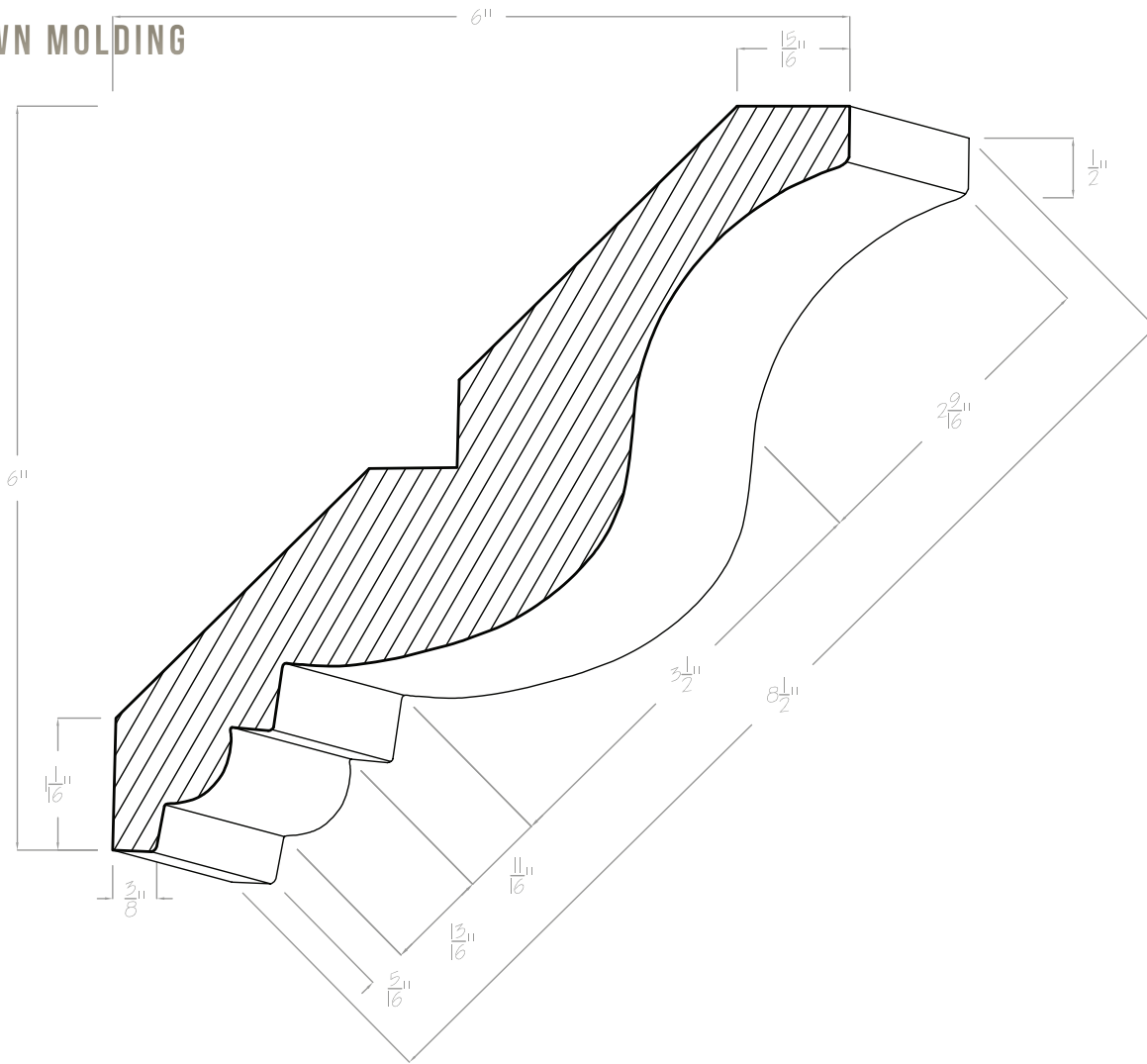


C-311

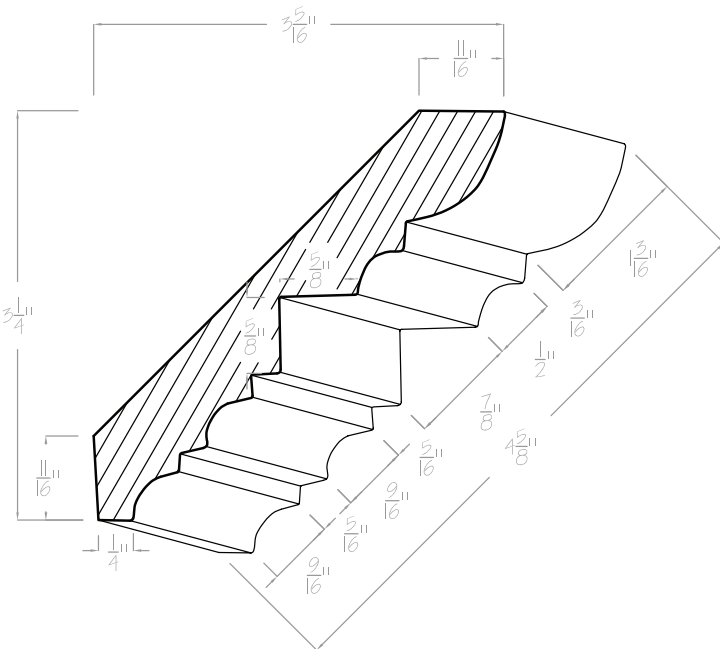


C-312

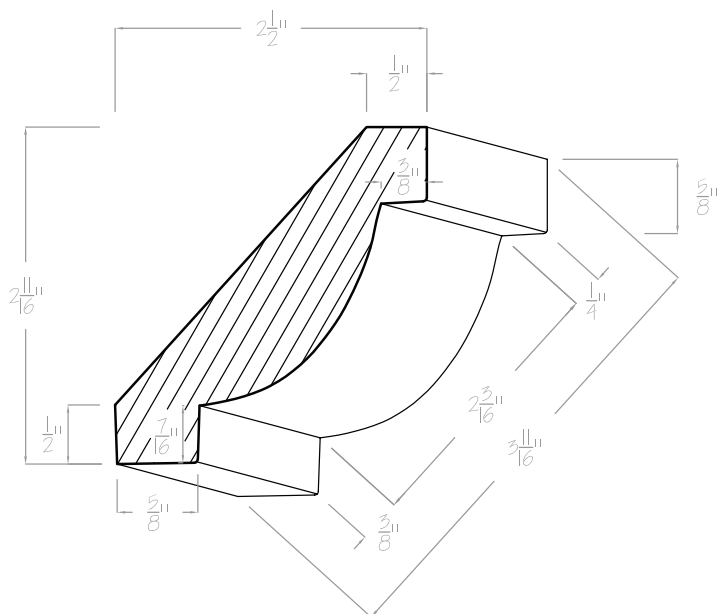
CROWN MOLDING



C-313

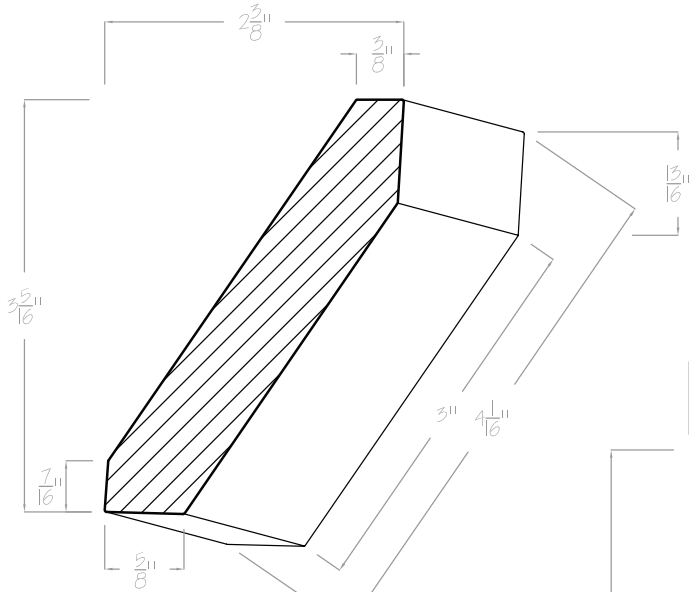


C-314

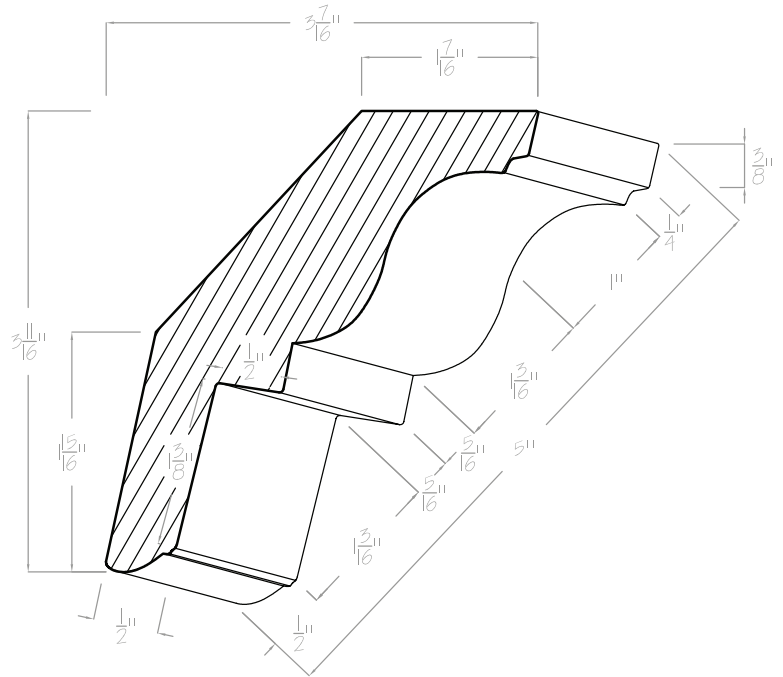


C-315

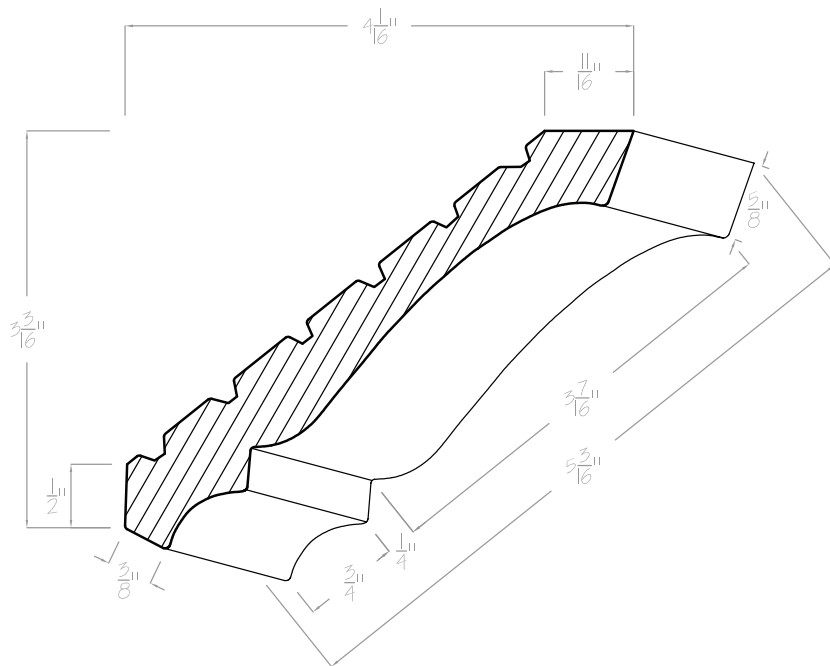
CROWN MOLDING



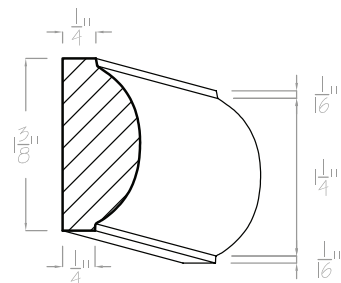
C-316



C-318

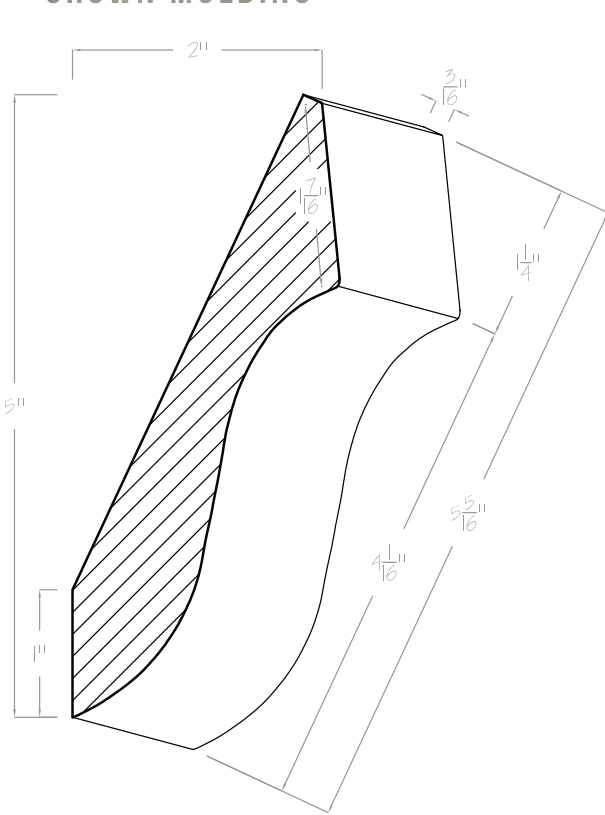


C-317

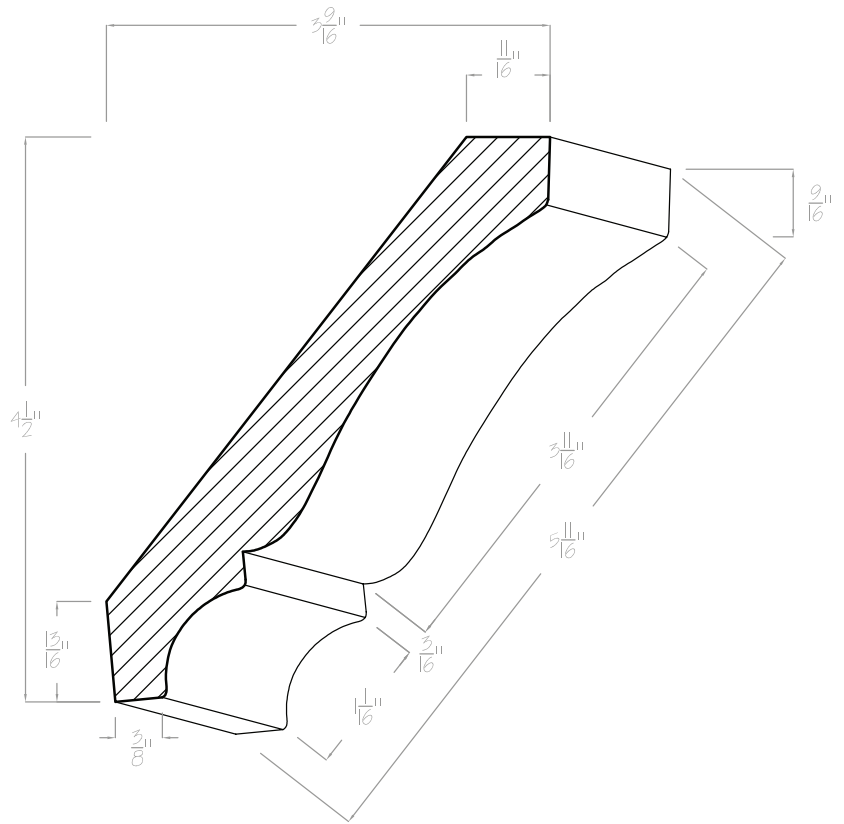


C-320

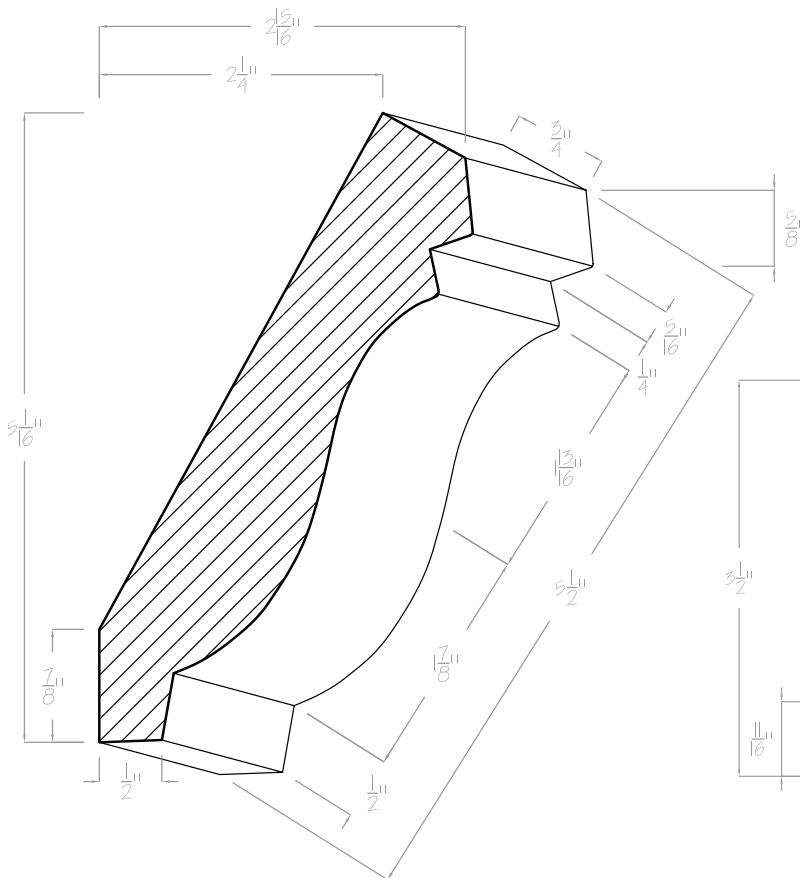
CROWN MOLDING



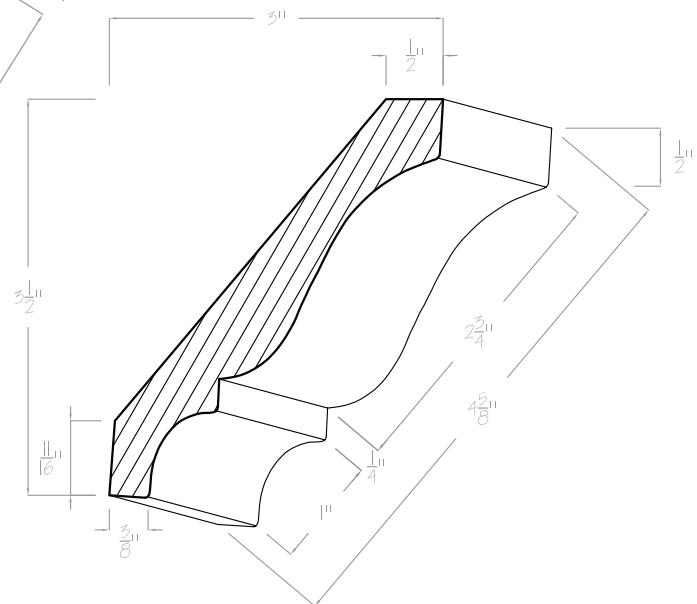
C-321



C-323

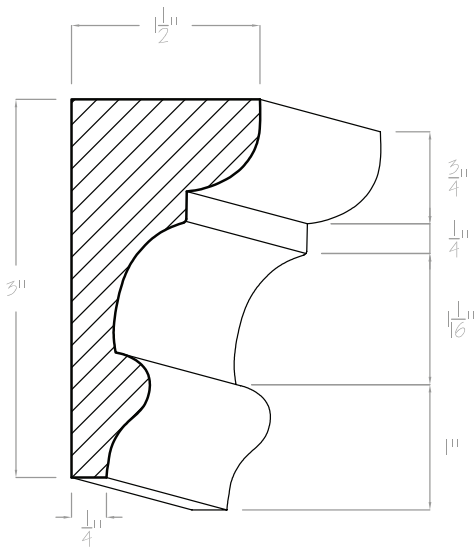


C-322

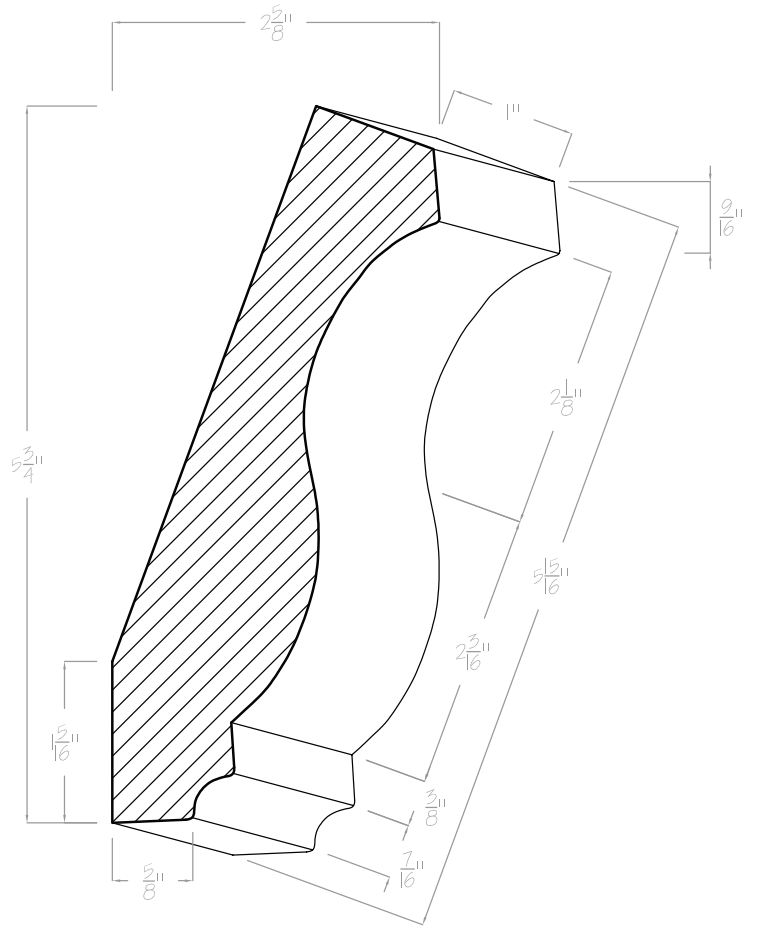


C-323A

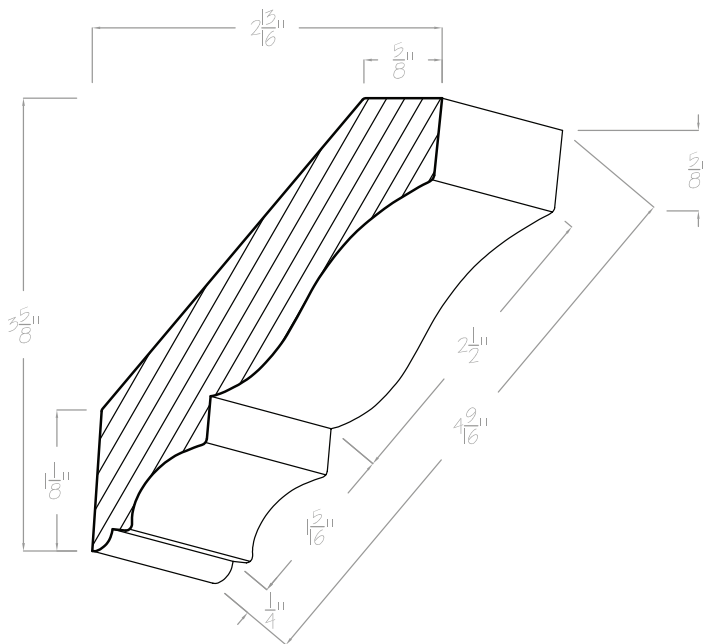
CROWN MOLDING



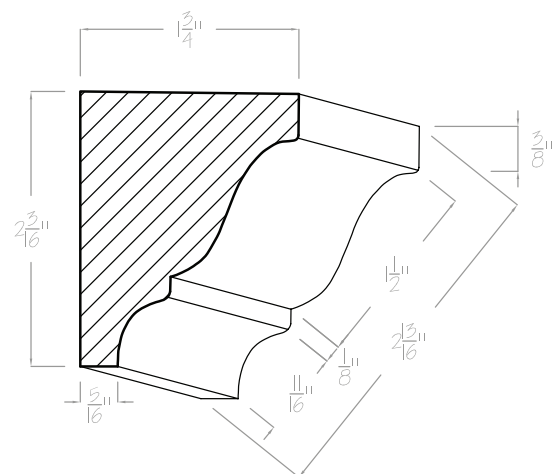
C-324



C-326

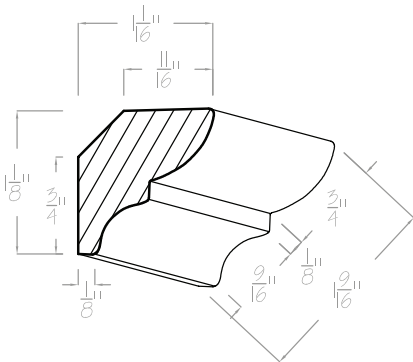


C-325

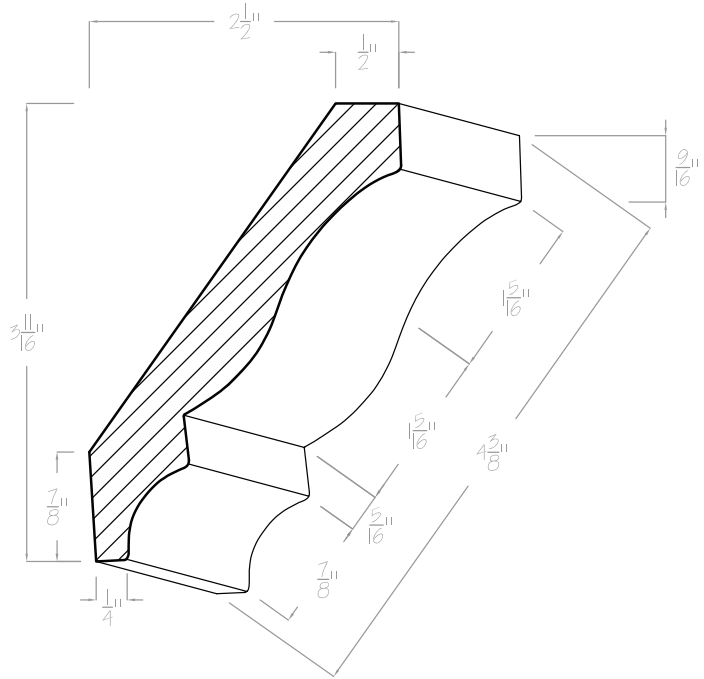


C-327

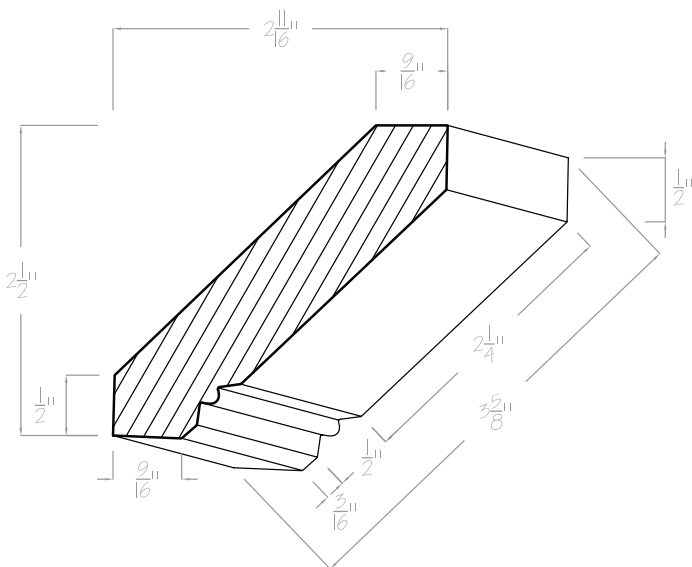
CROWN MOLDING



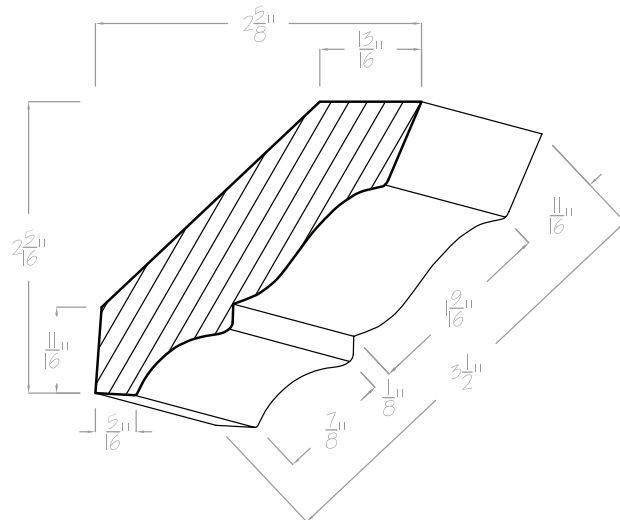
S-328
BED MOLDING



S-330

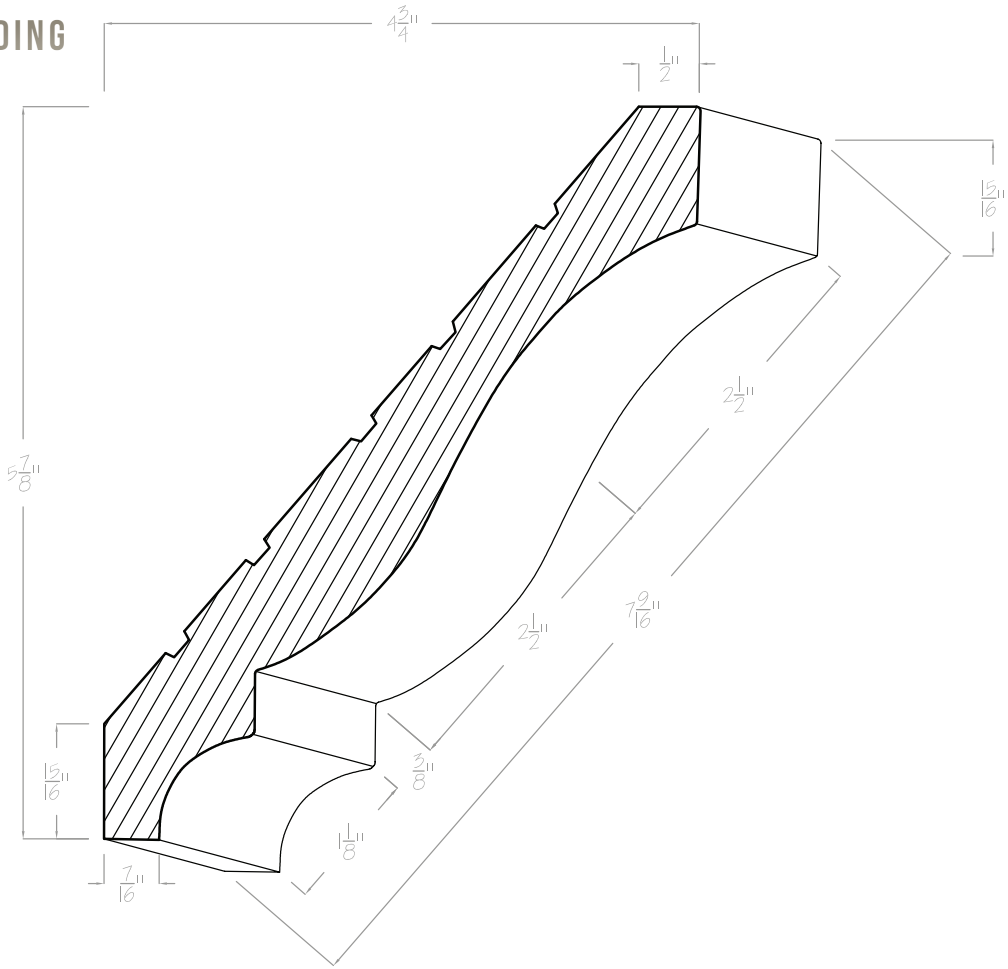


S-329
REVERSIBLE

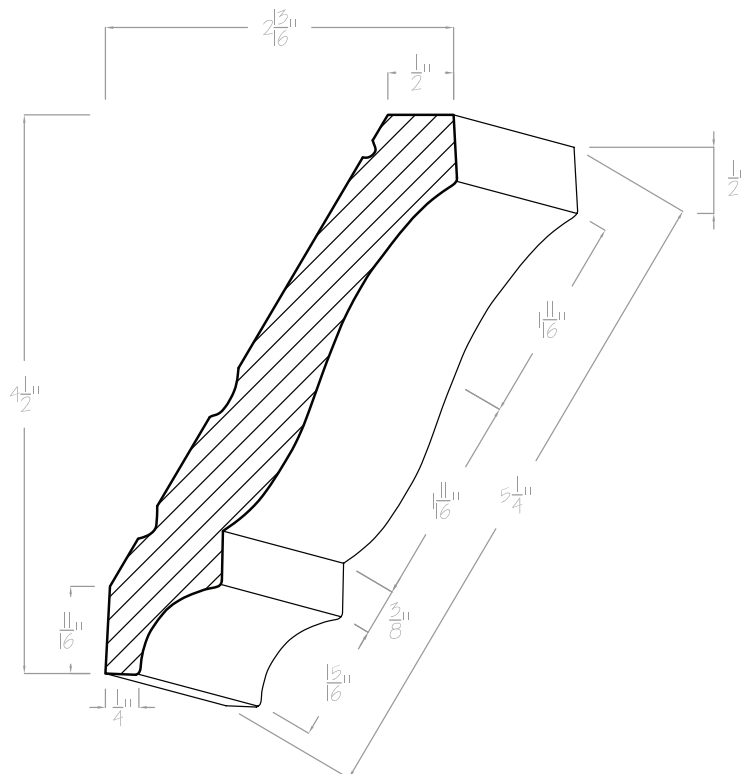


S-331
WITH CLEAT IS S-3051

CROWN MOLDING

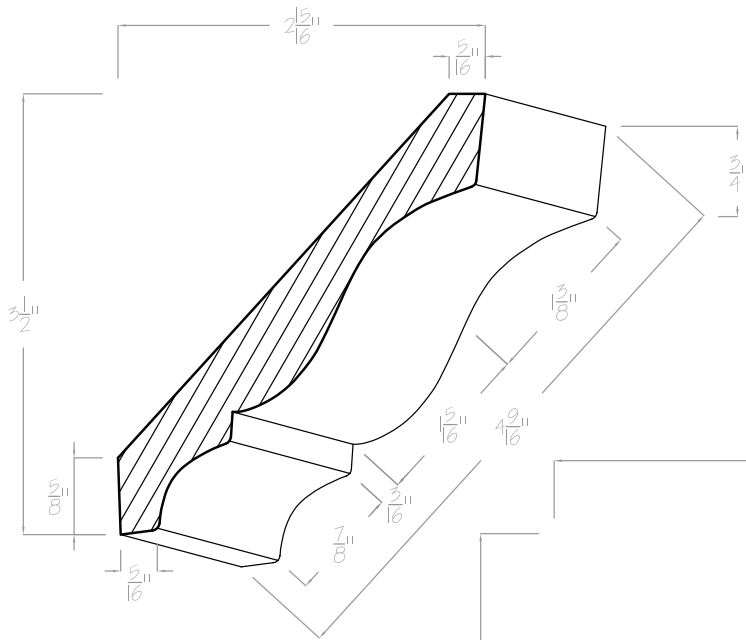


C-337

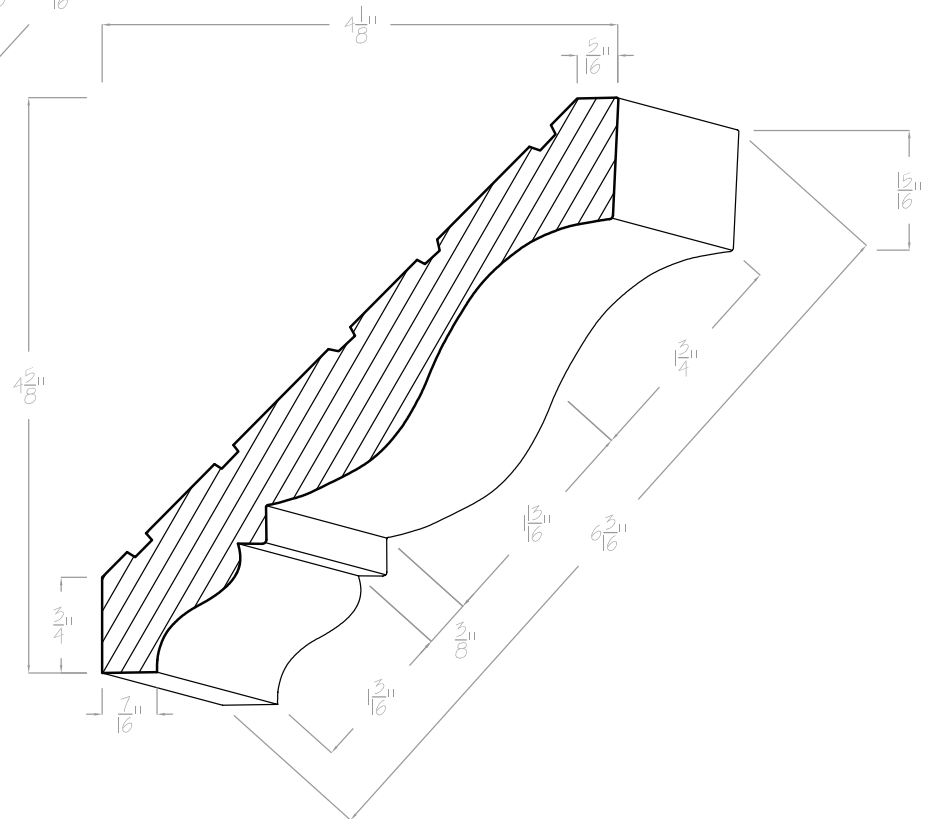


C-337A

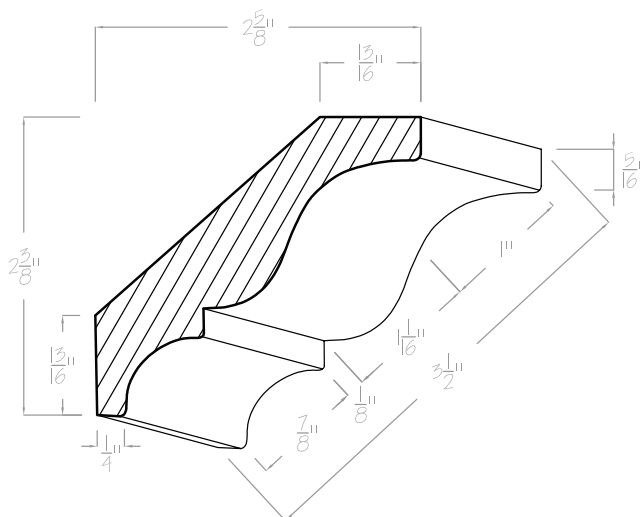
CROWN MOLDING



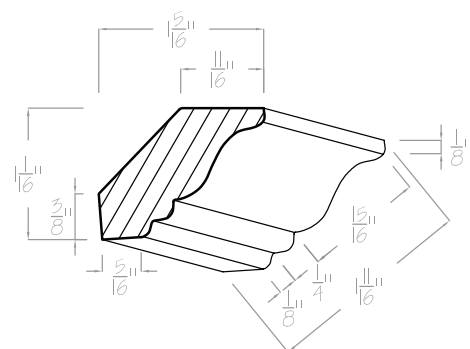
C-338



C-341

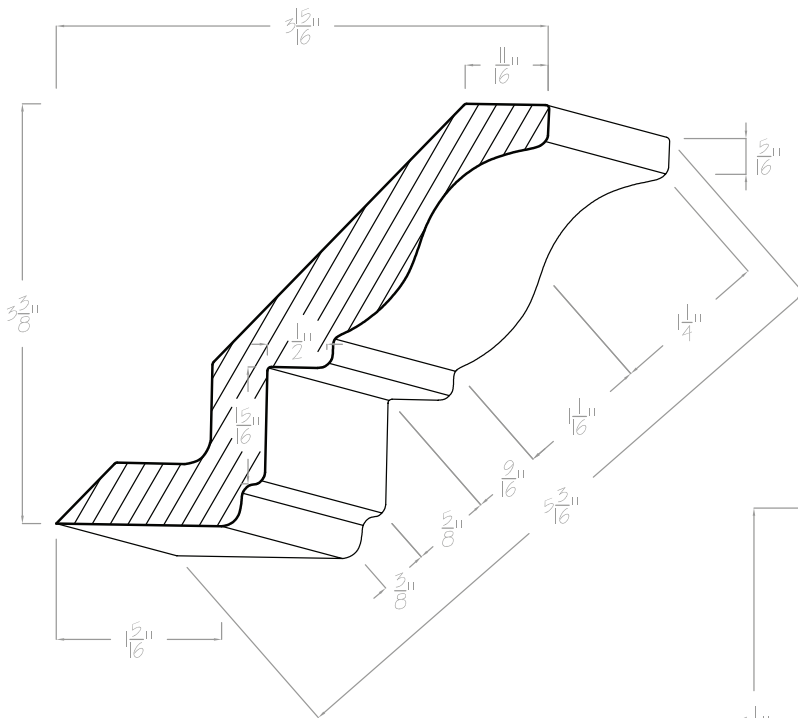


S-339

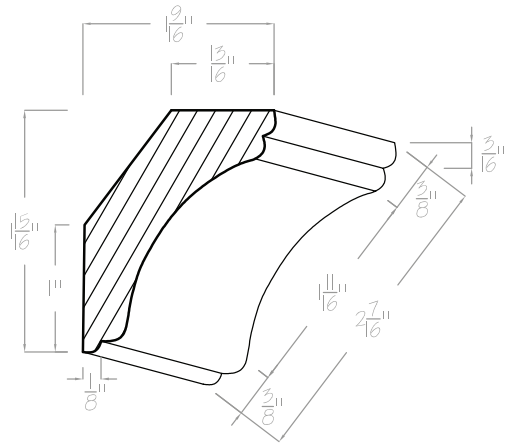


C-340

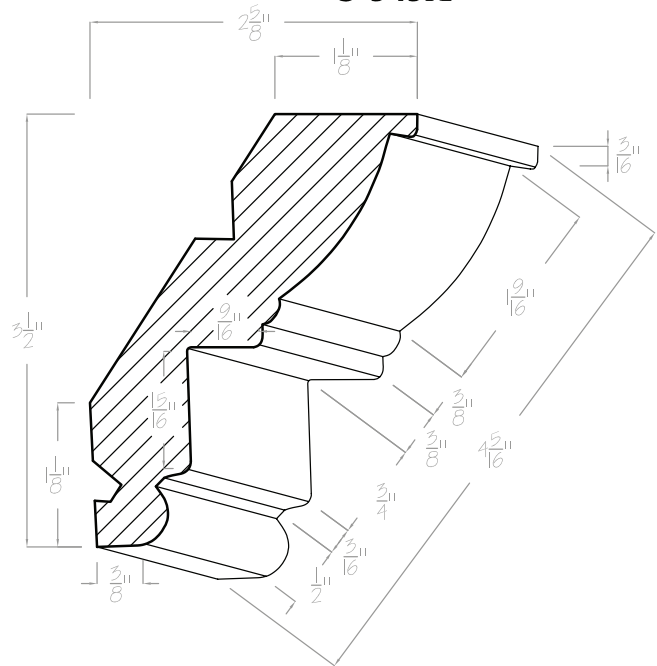
CROWN MOLDING



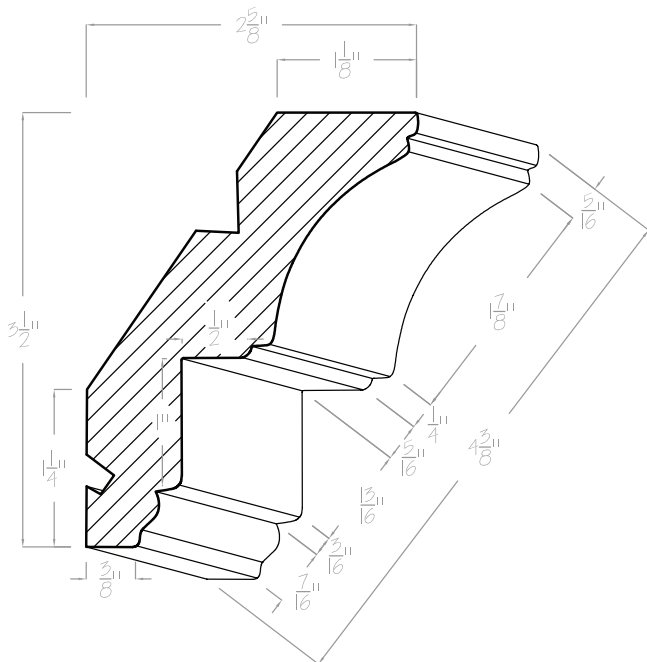
S-342



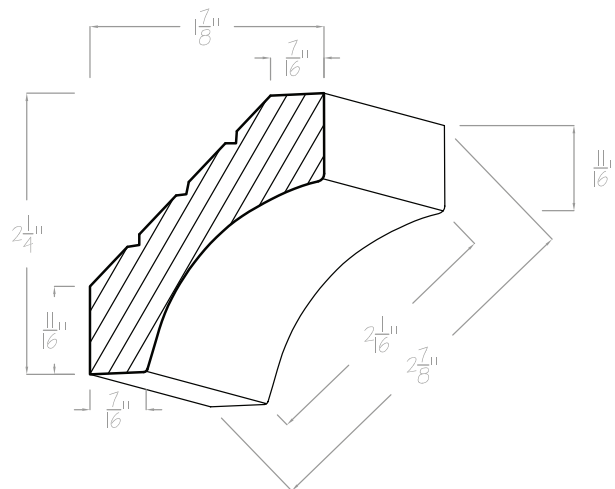
C-343A



S-344

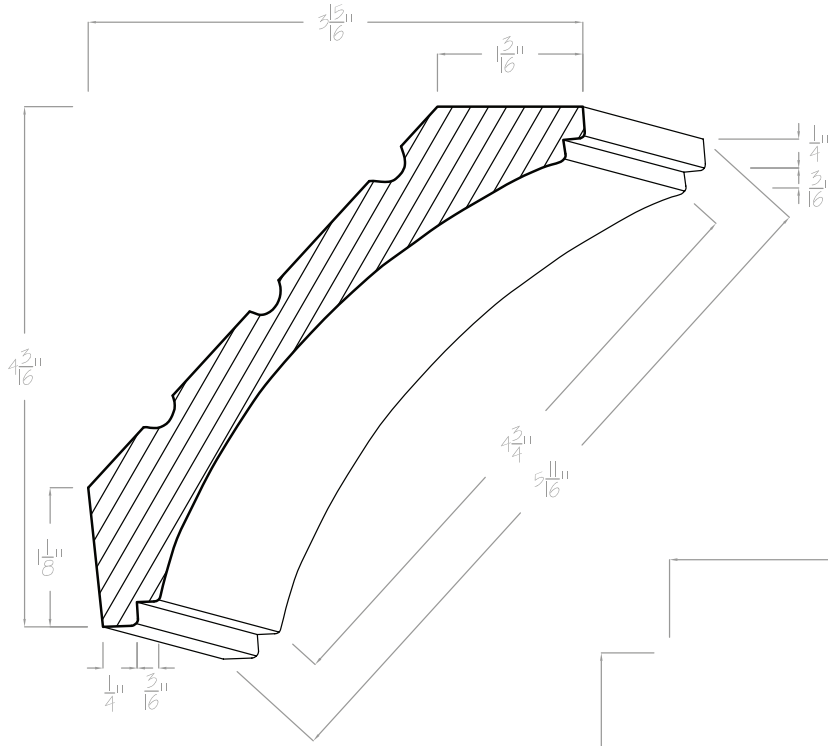


S-343

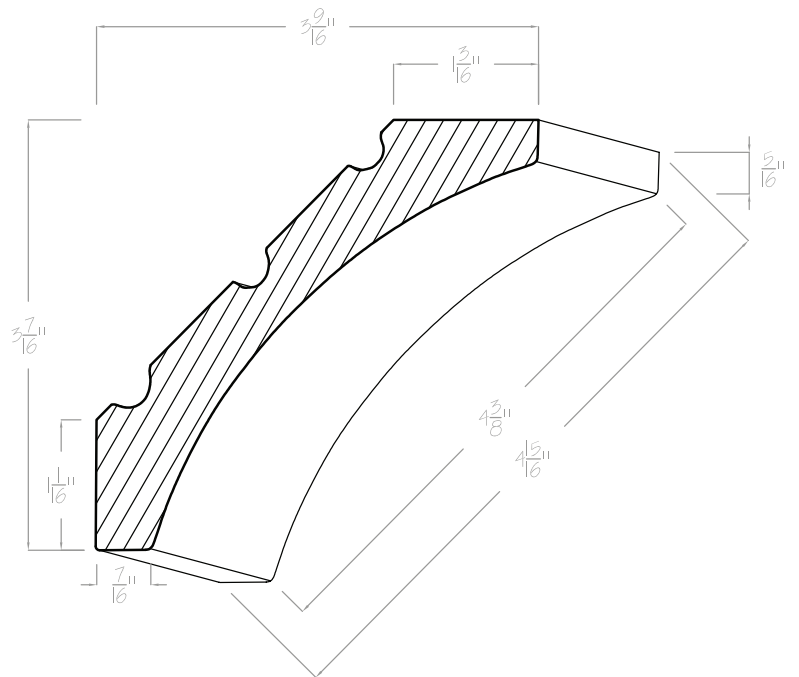


C-345
REVERSE OF C-364

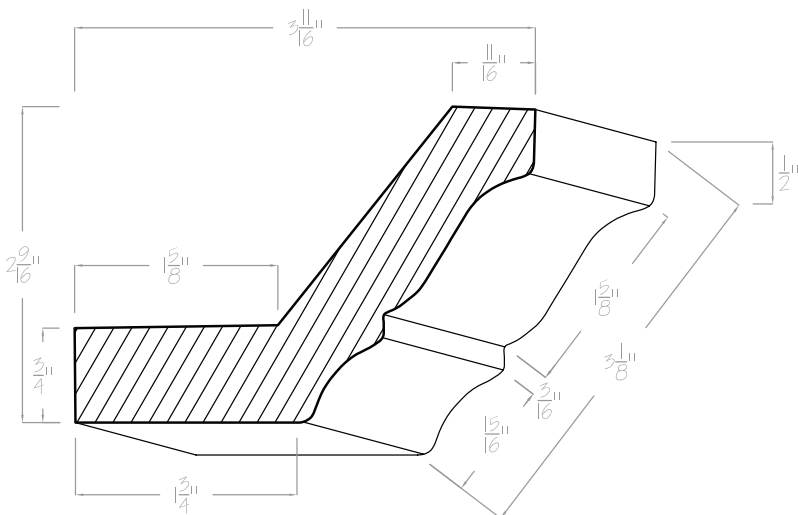
CROWN MOLDING



S-346
REVERSIBLE

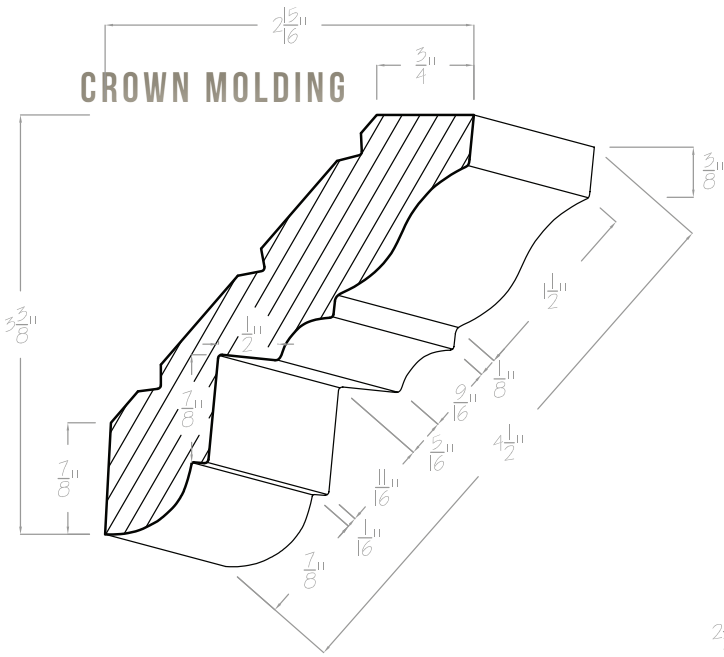


C-348

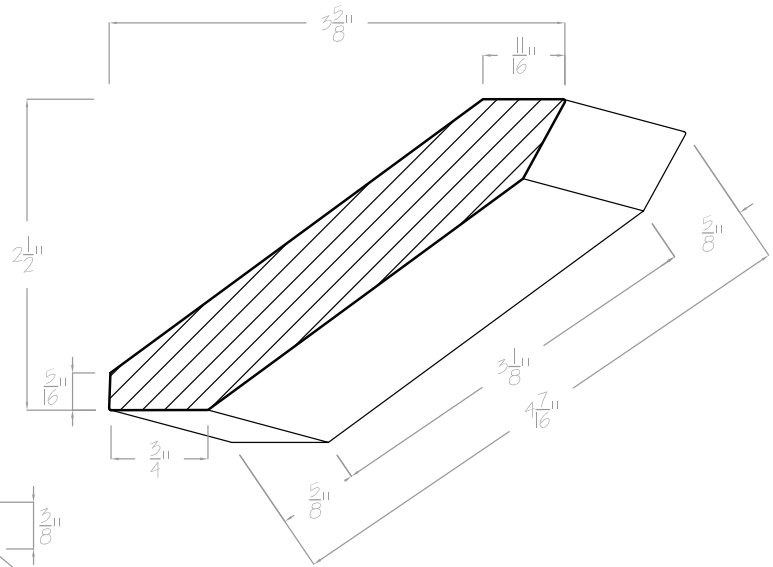


S-347

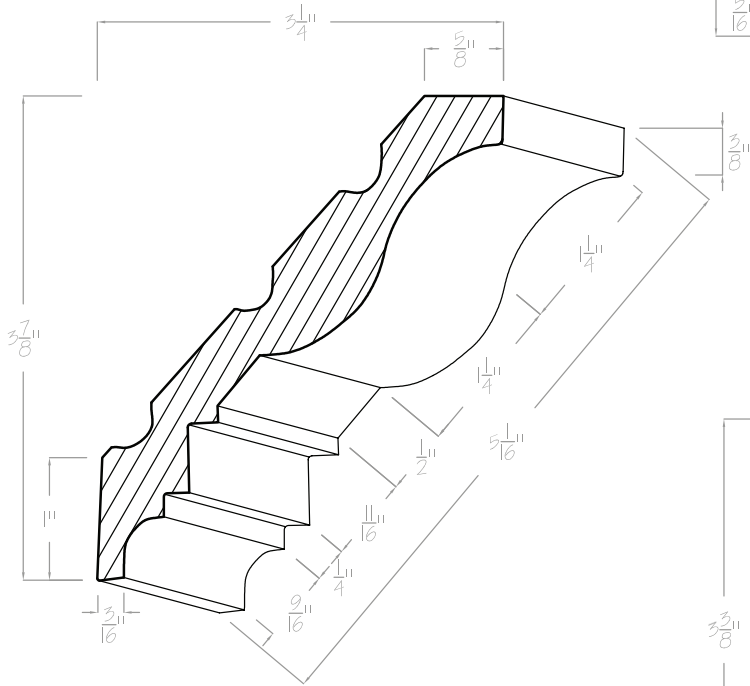
CROWN MOLDING



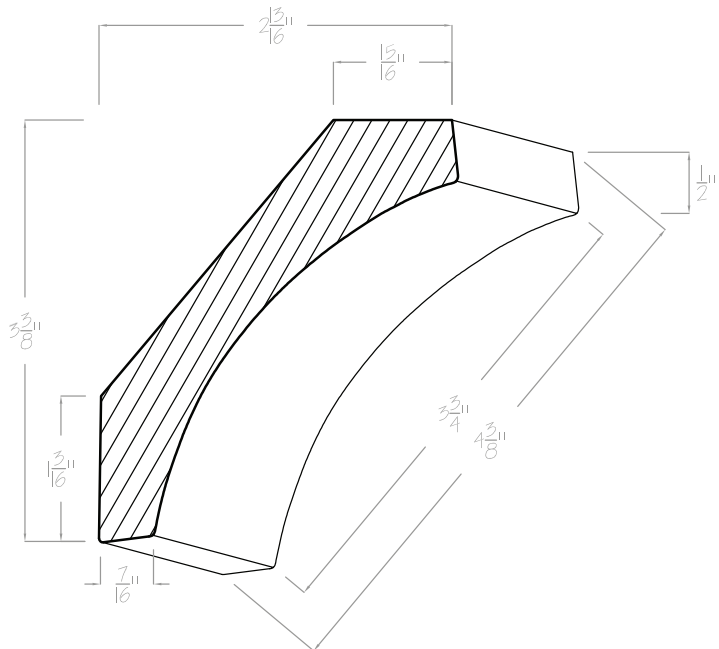
S-349



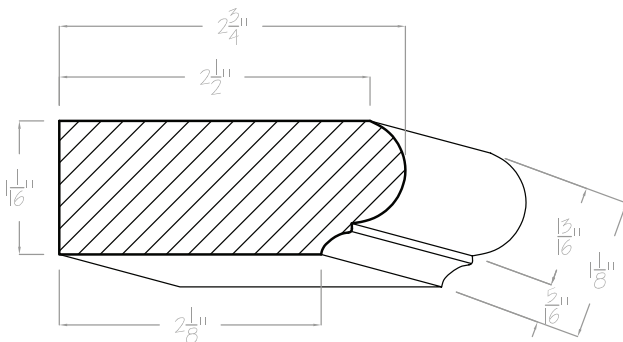
C-352



C-350

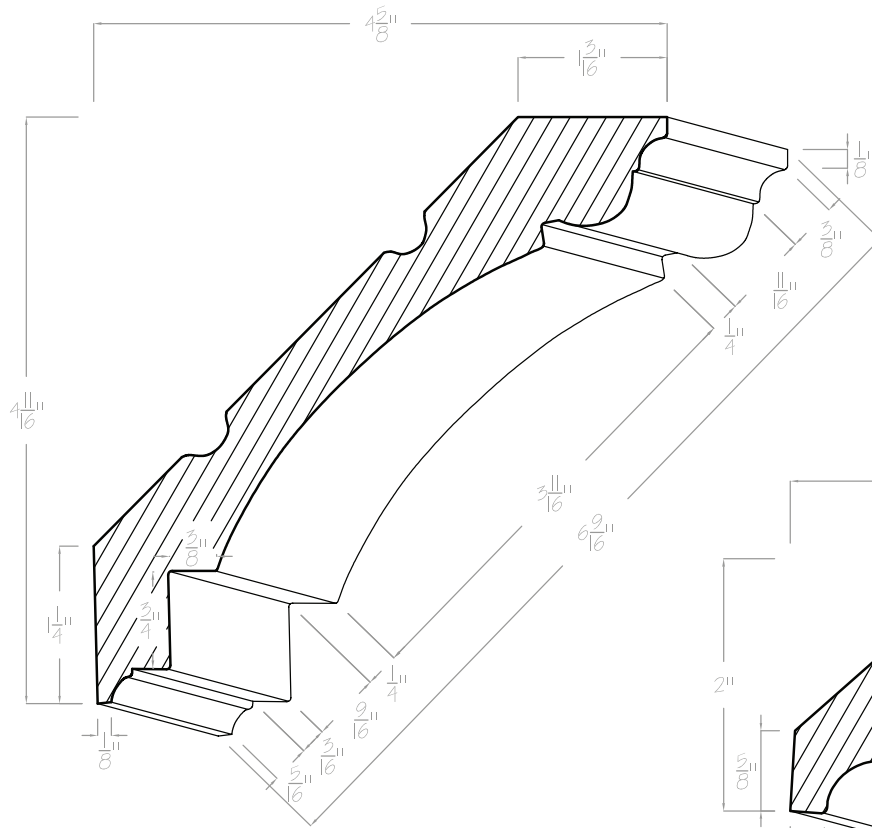


C-353

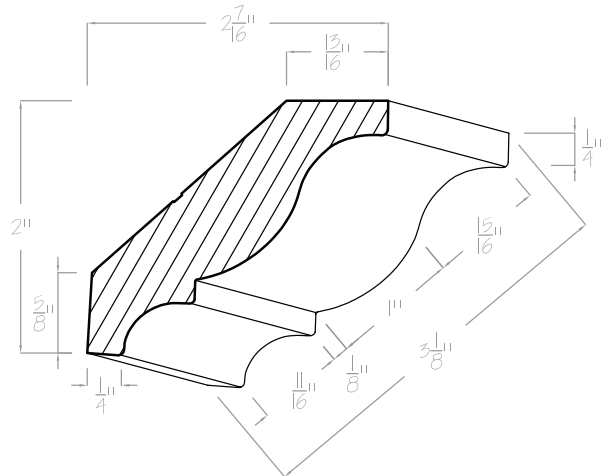


C-351

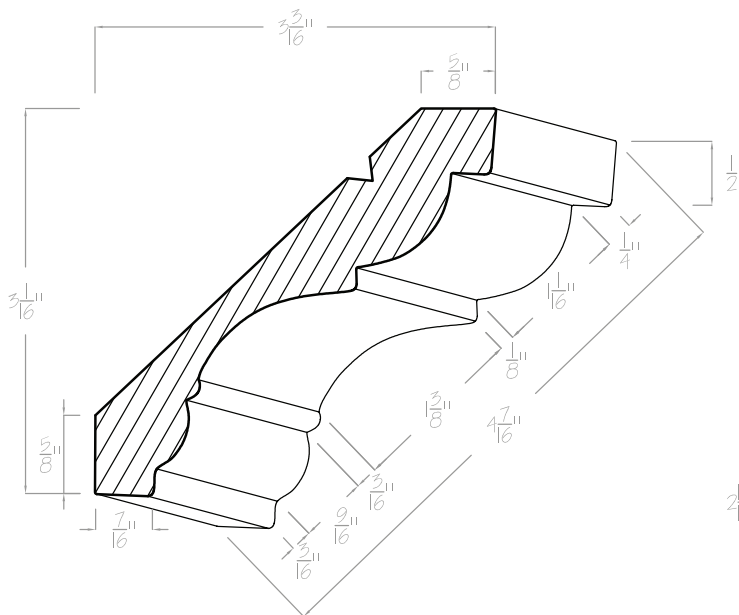
CROWN MOLDING



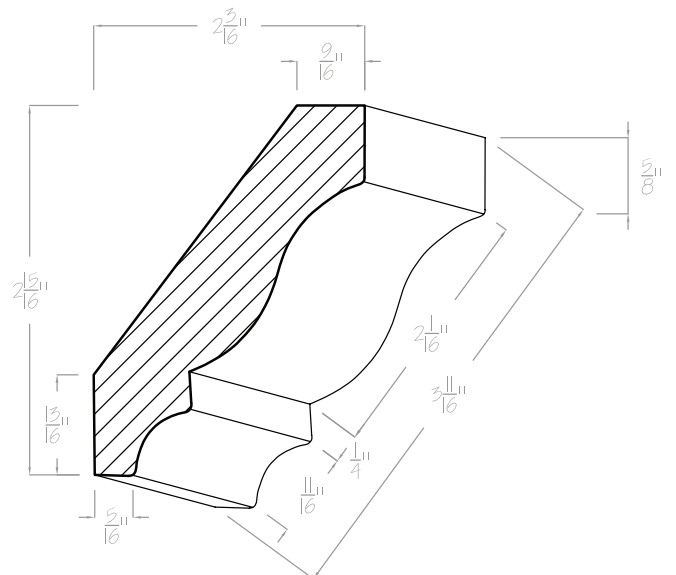
C-354



C-356

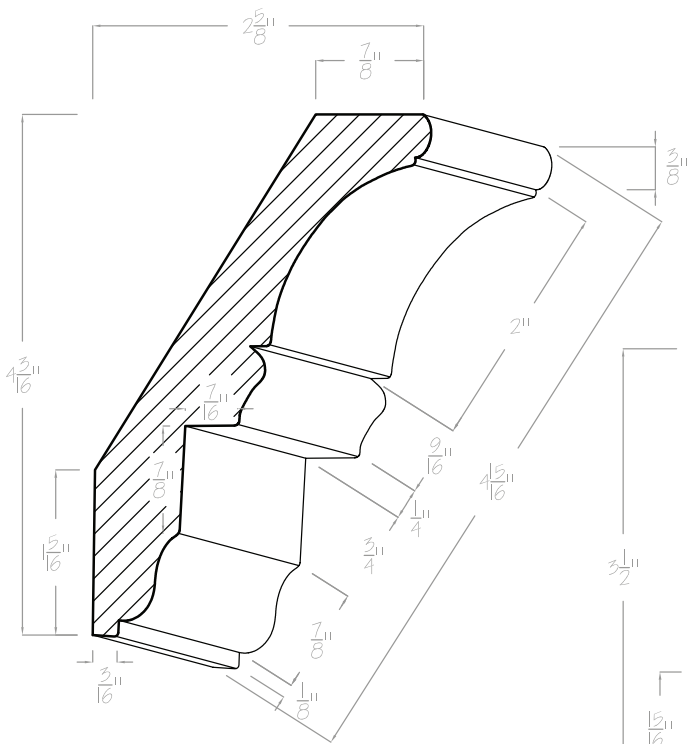


C-355

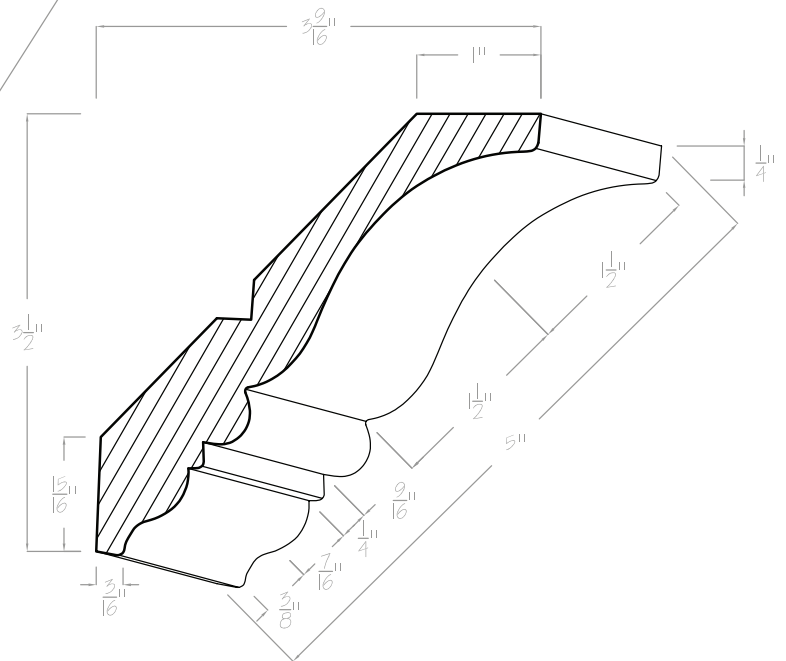


S-359

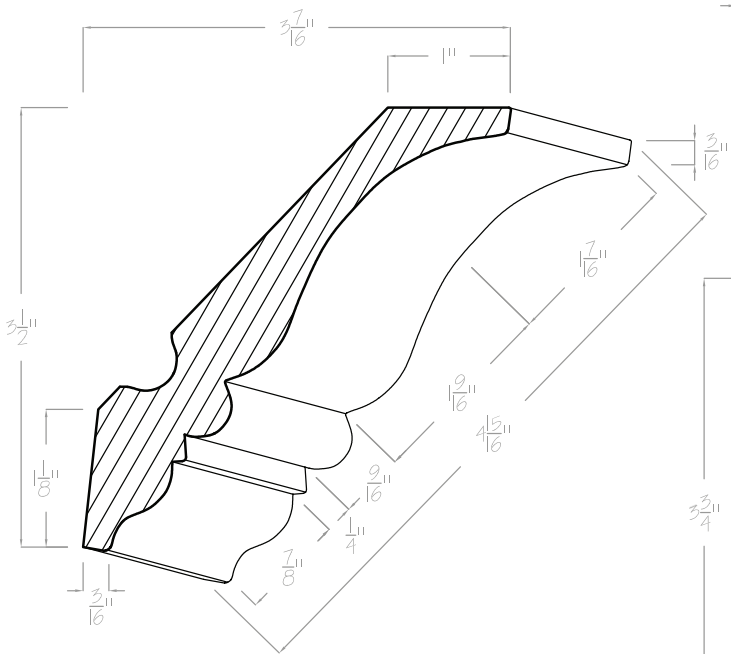
CROWN MOLDING



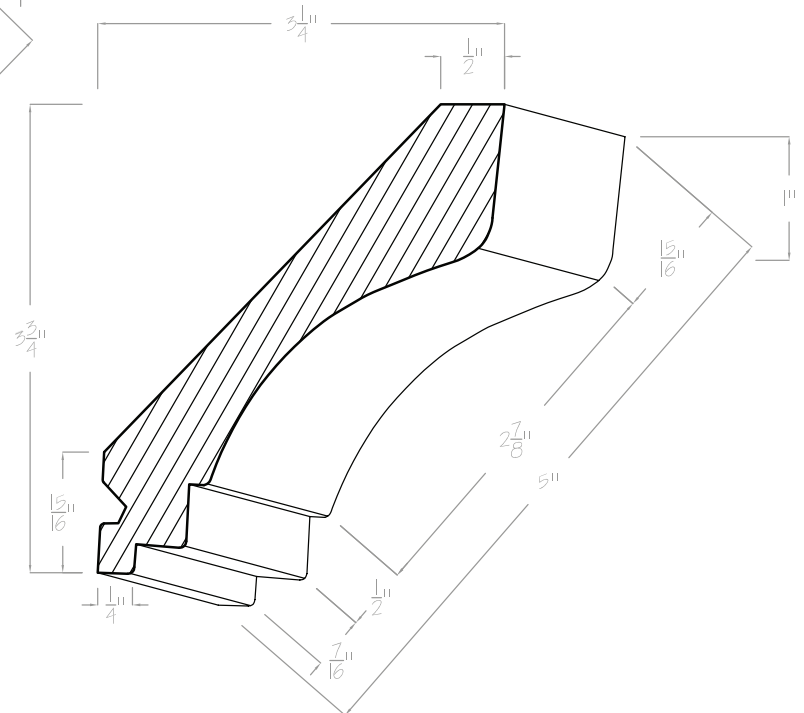
C-375



C-376A

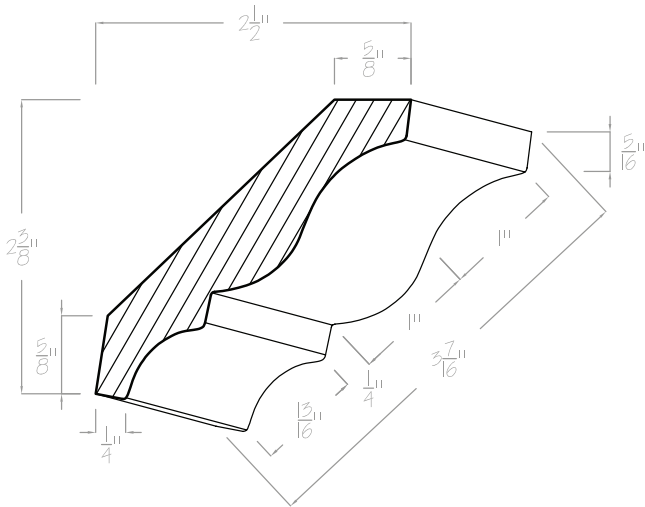


C-376

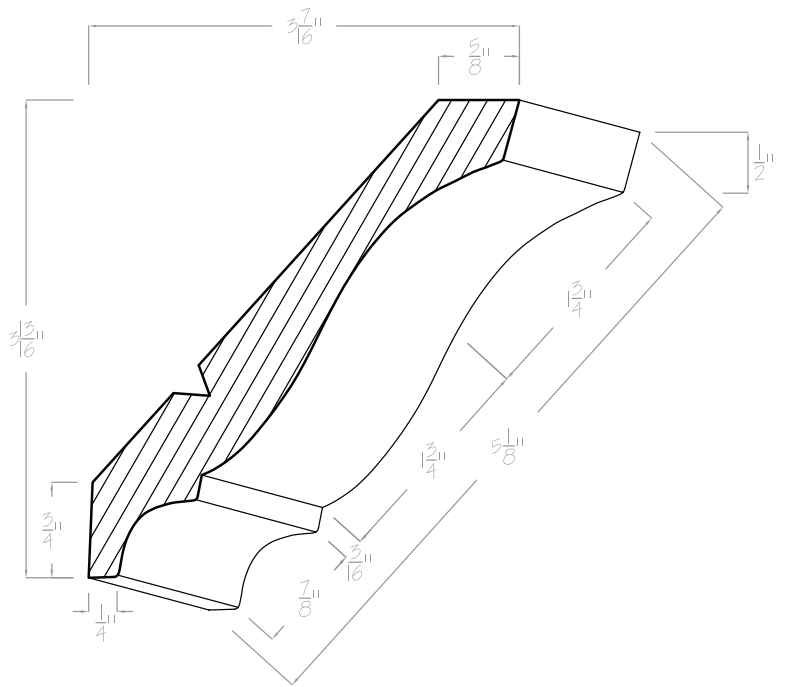


C-377

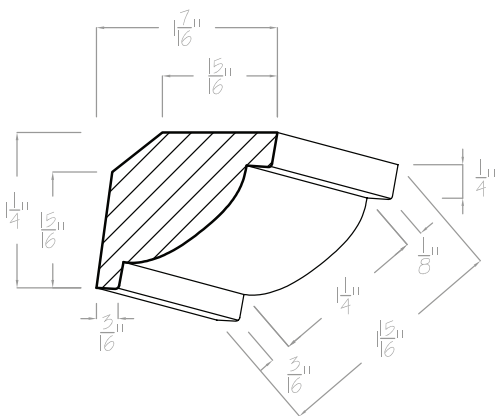
CROWN MOLDING



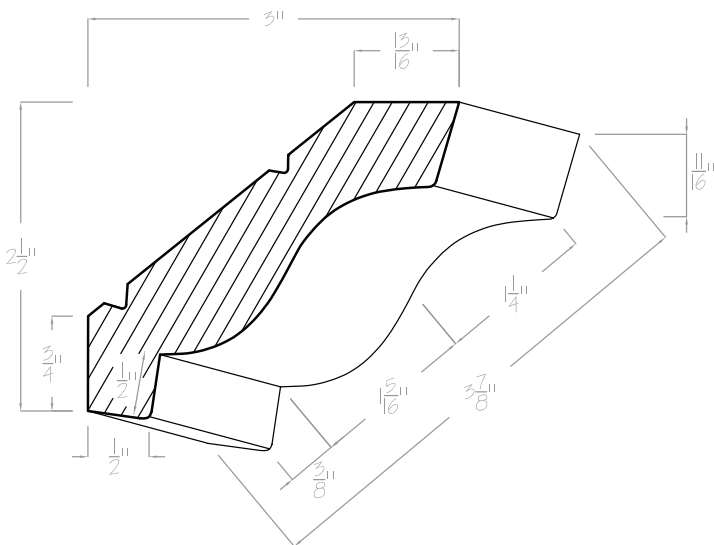
C-378



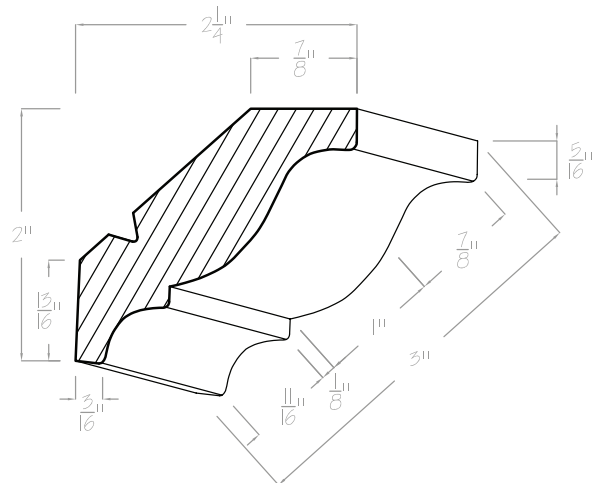
C-381



C-379

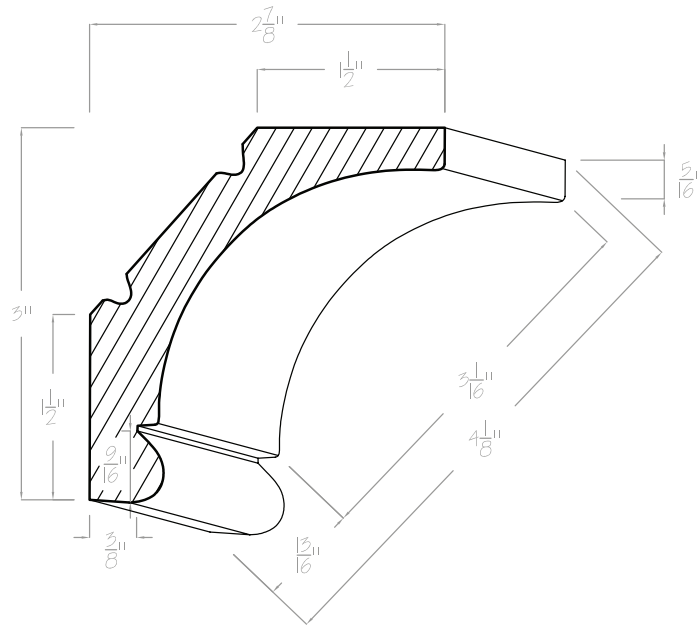


C-380

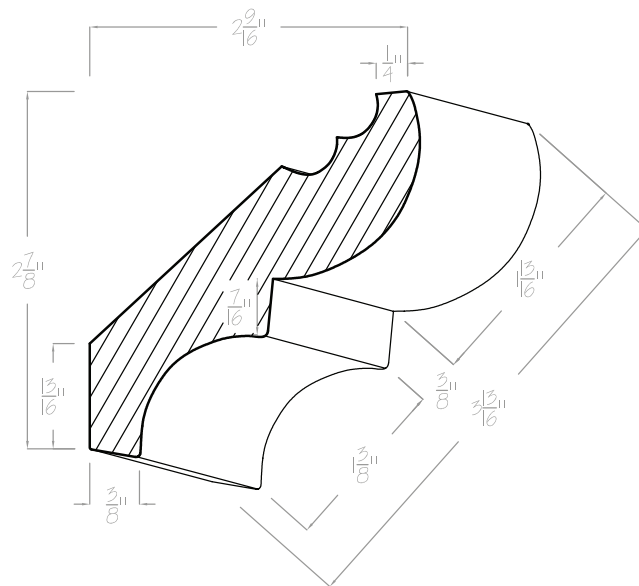


C-382

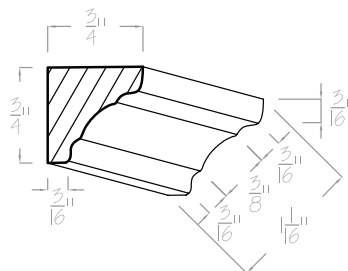
CROWN MOLDING



C-383

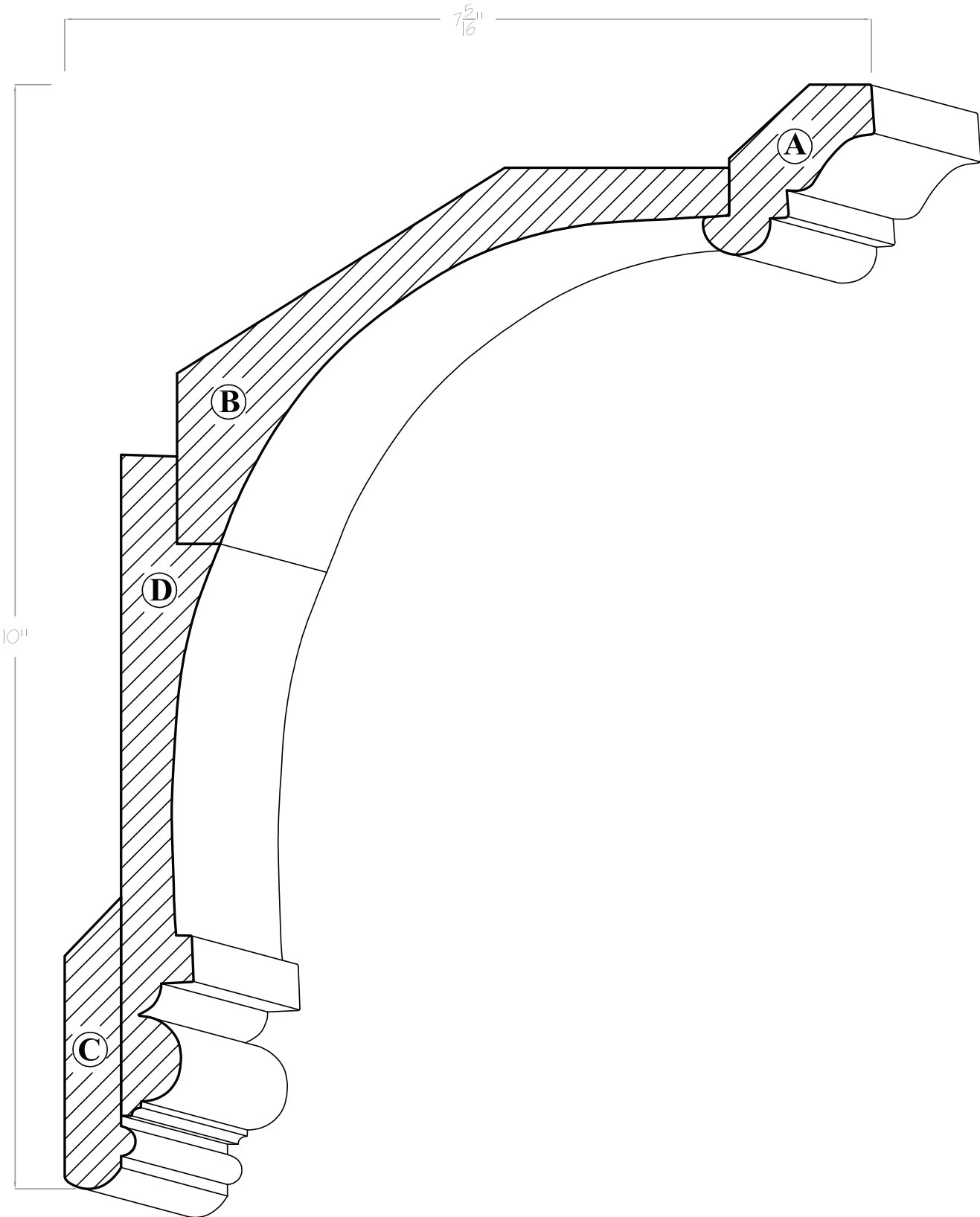


C-384



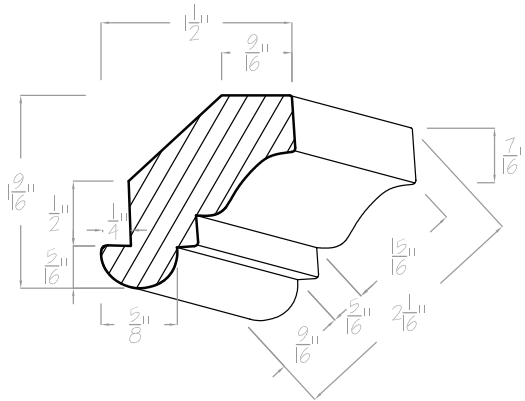
S-385

CROWN MOLDING

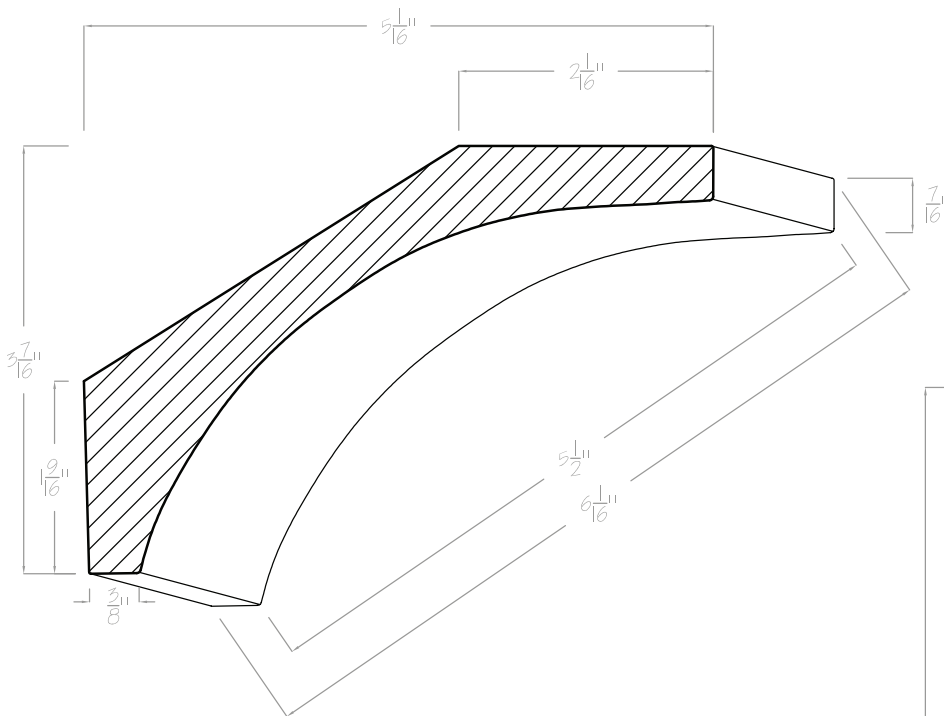


C-386
VICTORIAN CROWN
BUILD-UP SYSTEM

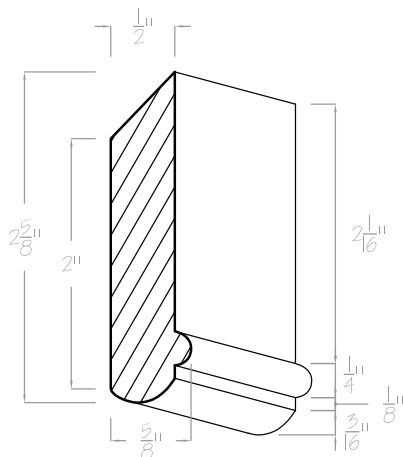
CROWN MOLDING



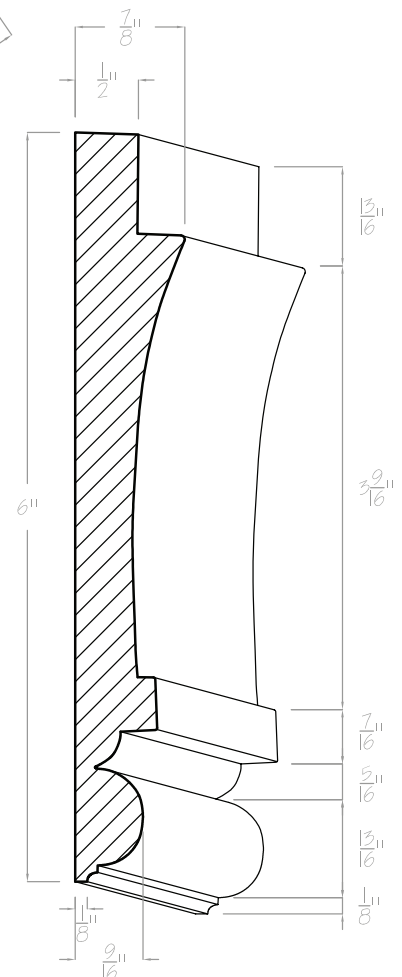
C-386A



C-386B

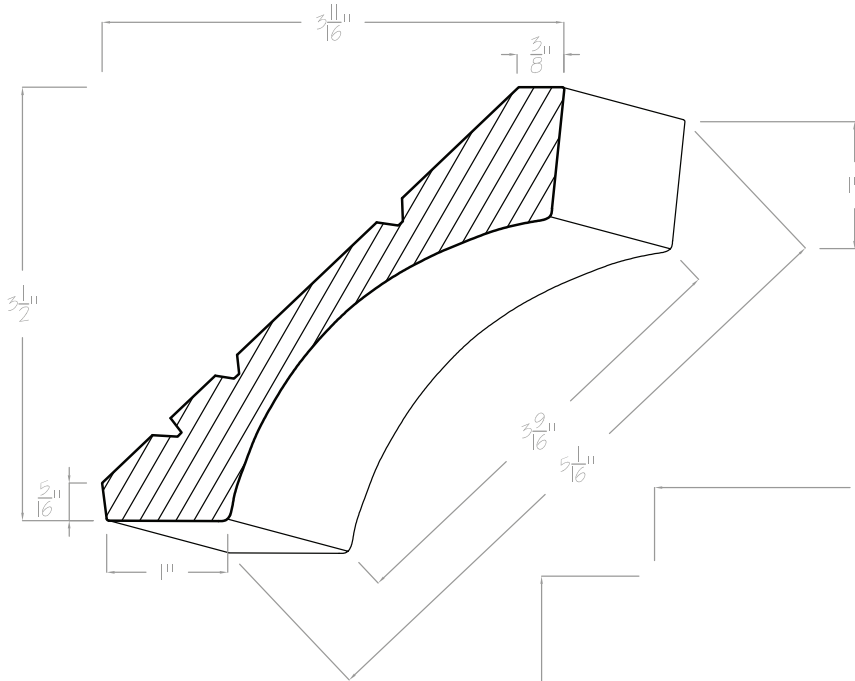


C-386C

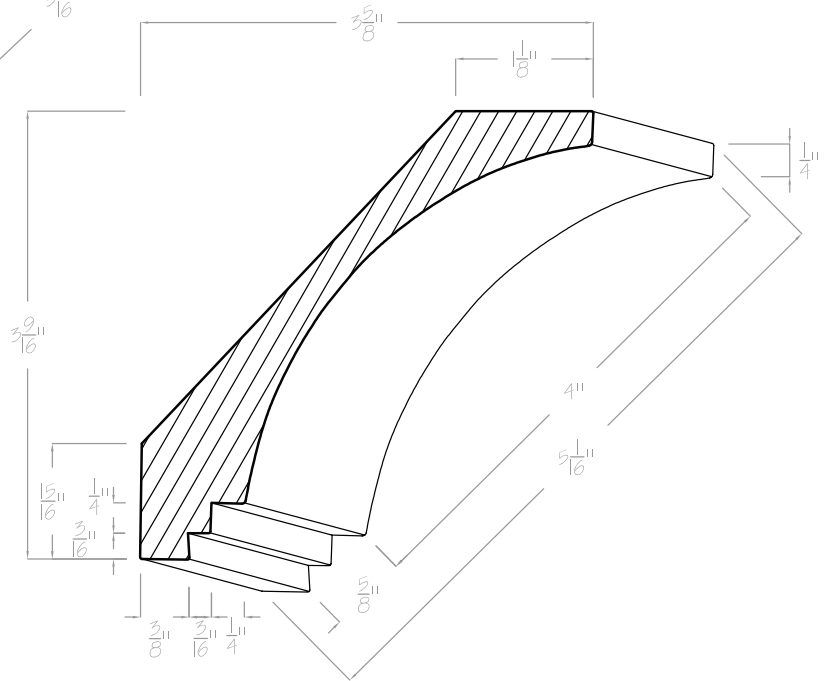


C-386D

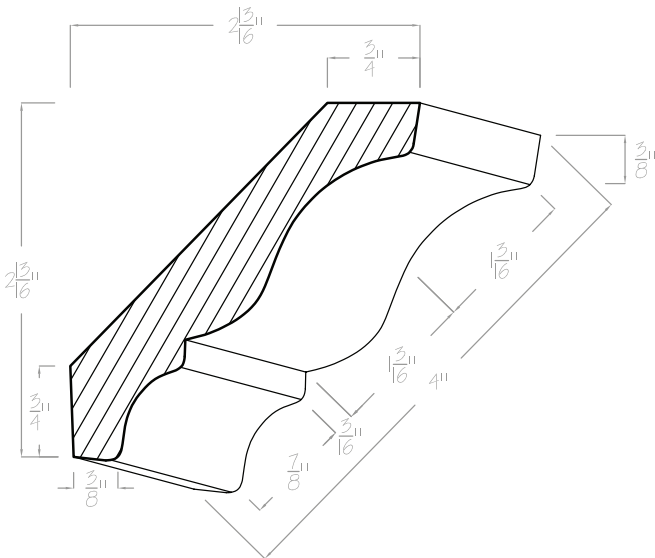
CROWN MOLDING



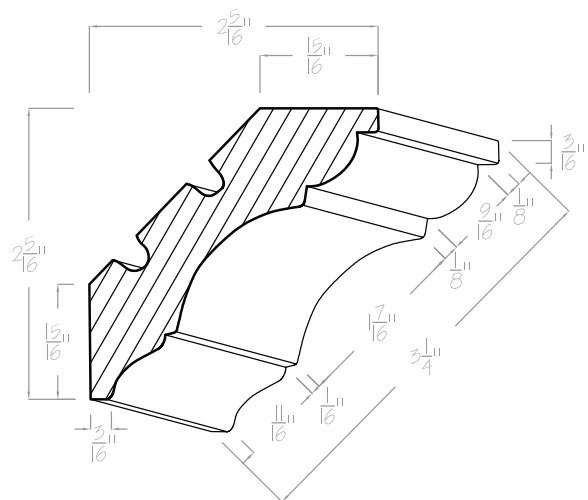
C-387



C-389

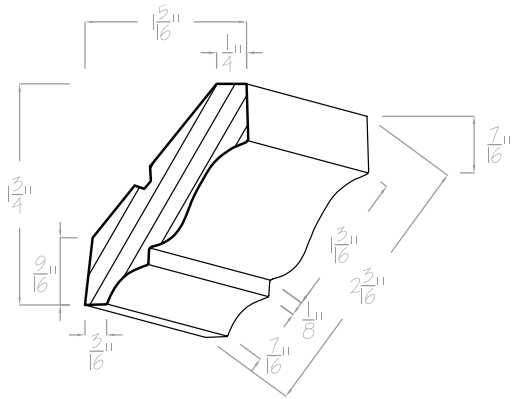


C-388

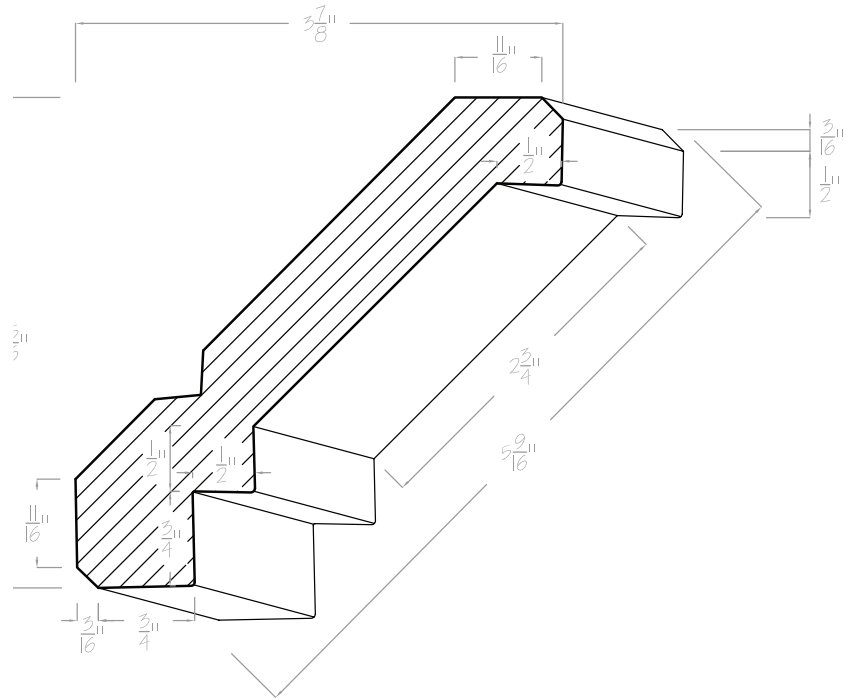


C-390

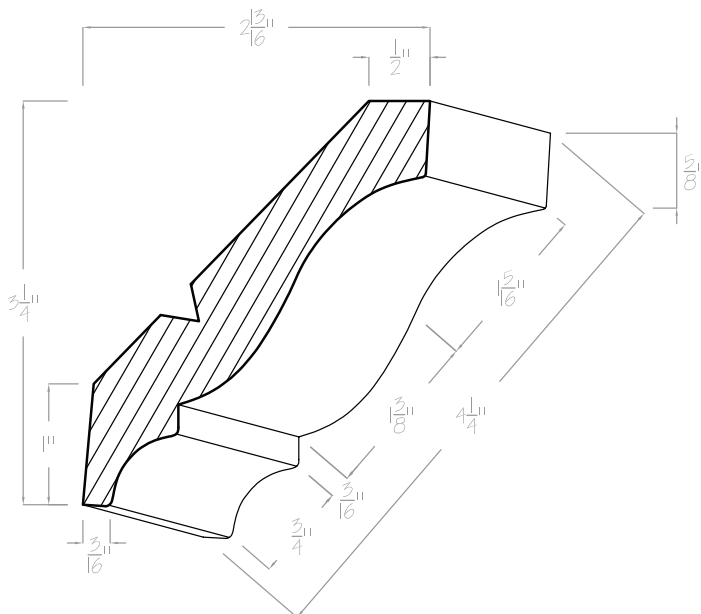
CROWN MOLDING



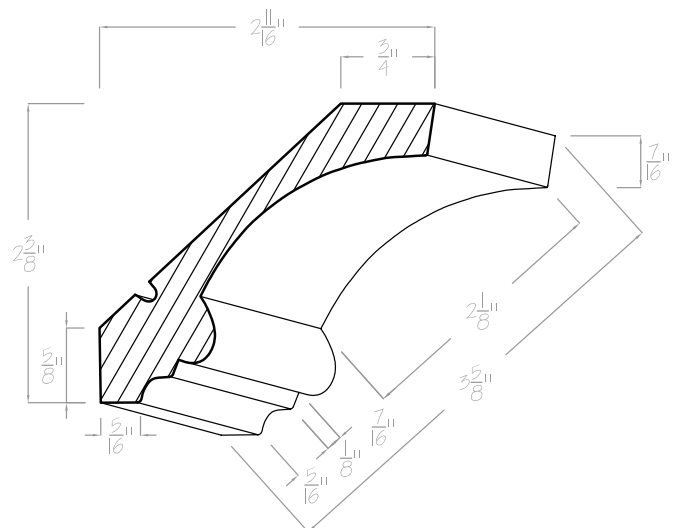
C-391



C-393

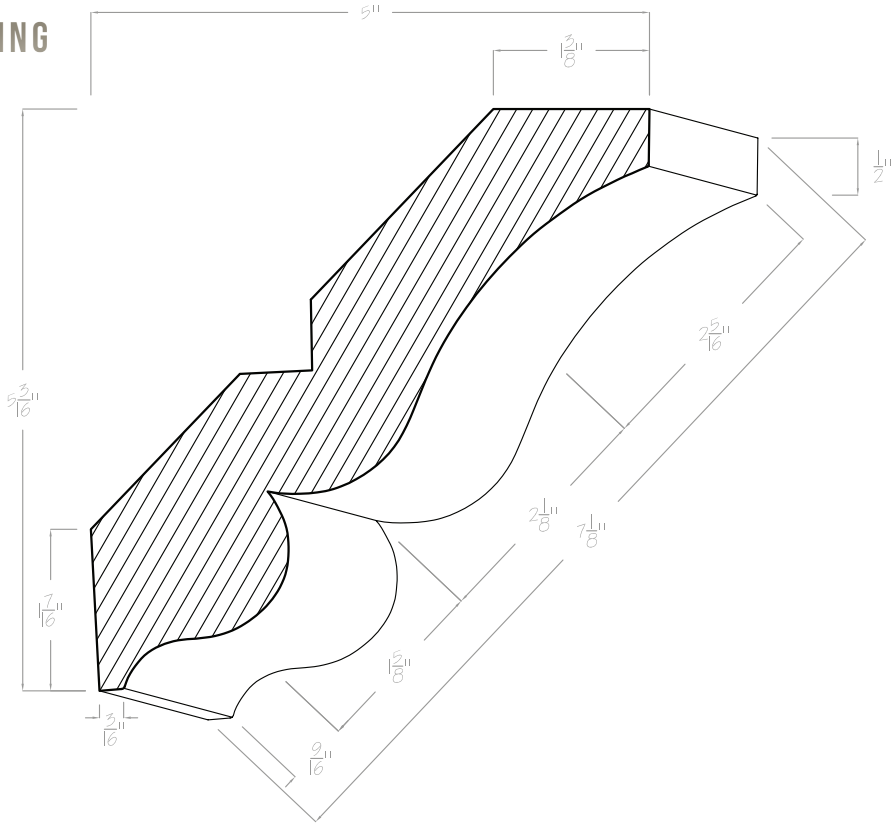


C-392

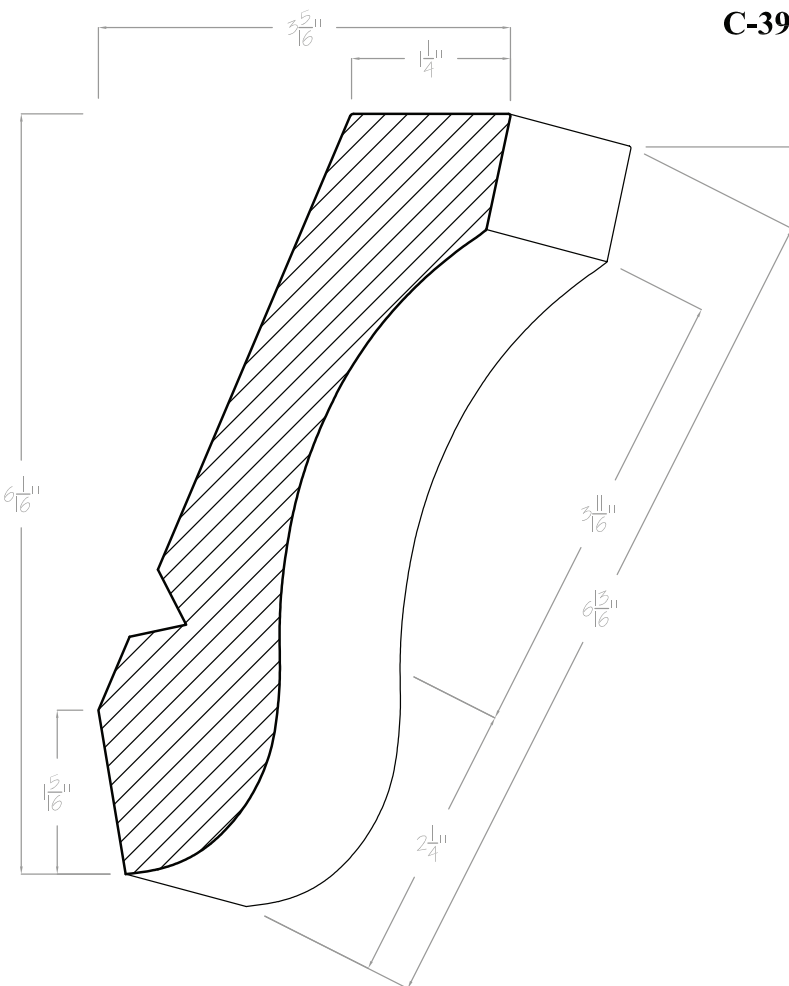


C-394

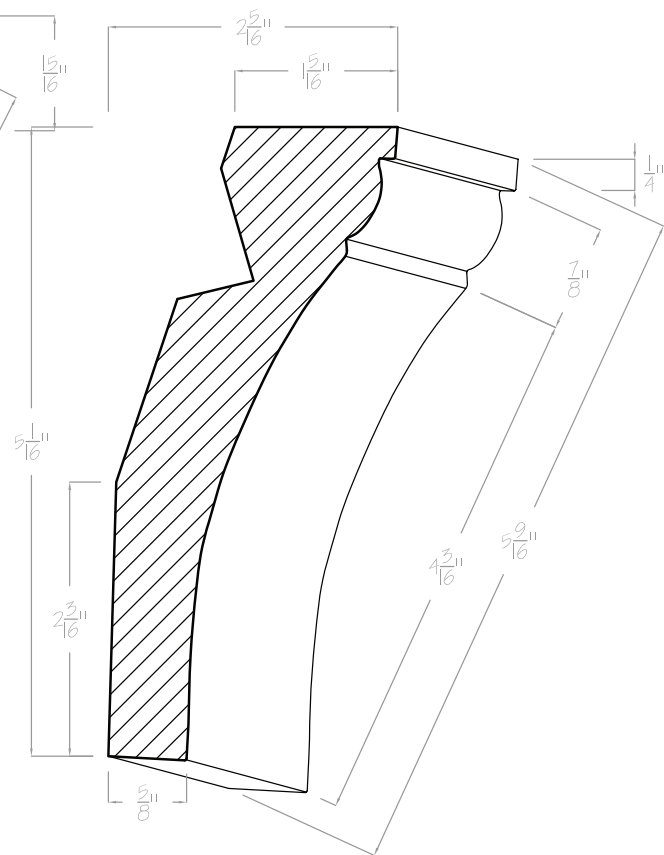
CROWN MOLDING



C-395

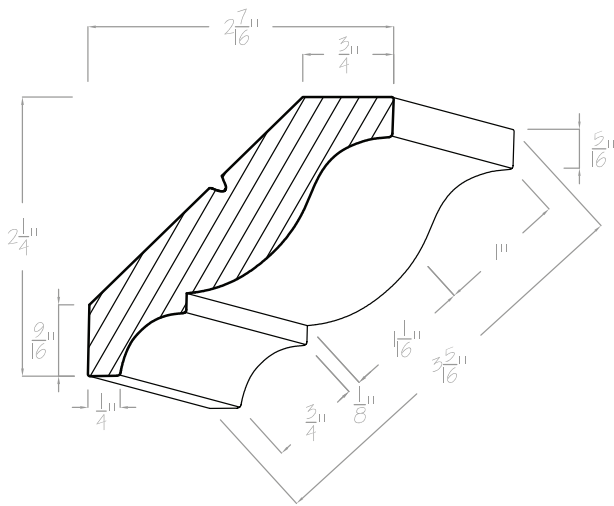


C-396

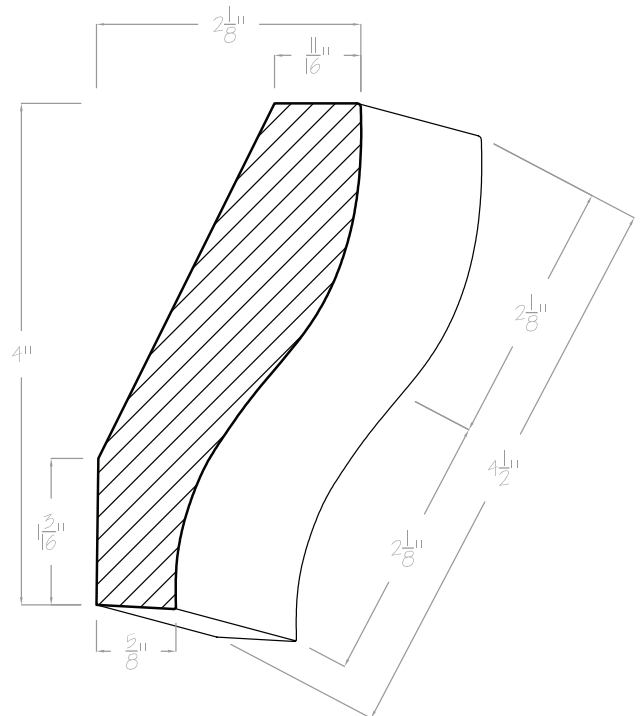


C-397

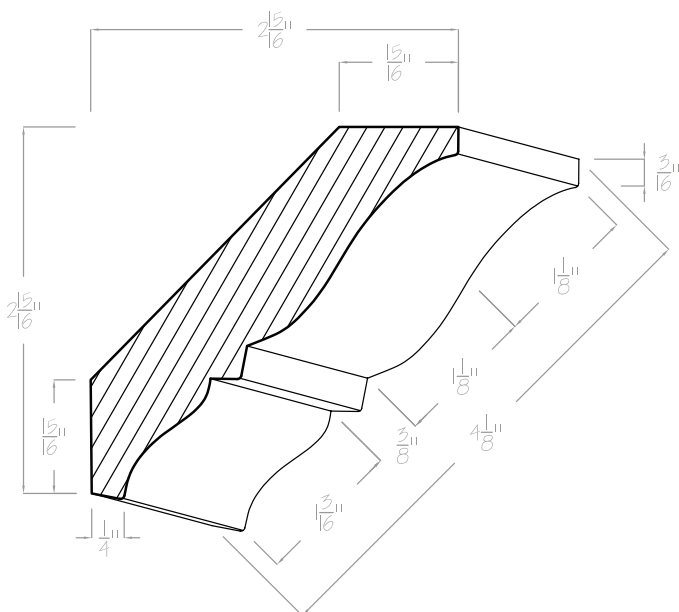
CROWN MOLDING



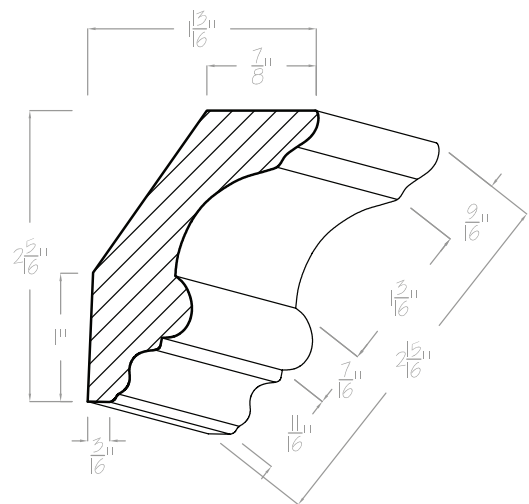
C-398



C-3002

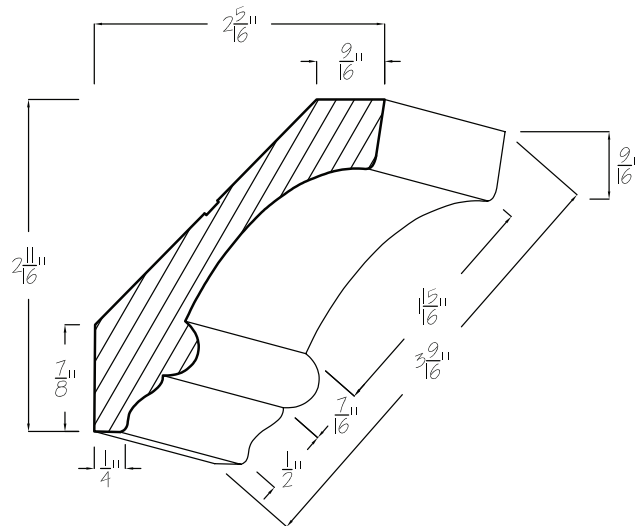


C-399

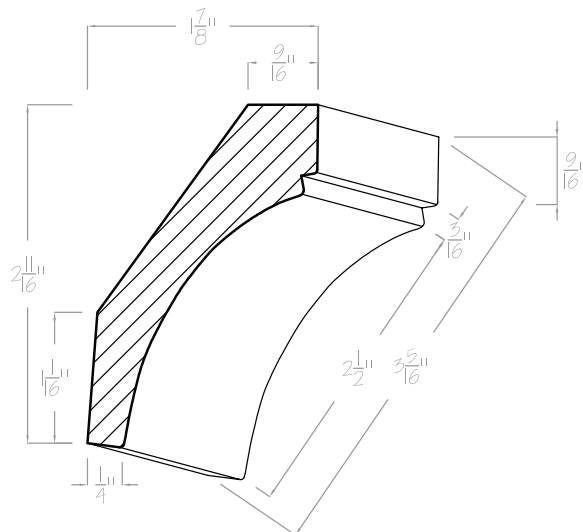


C-3003

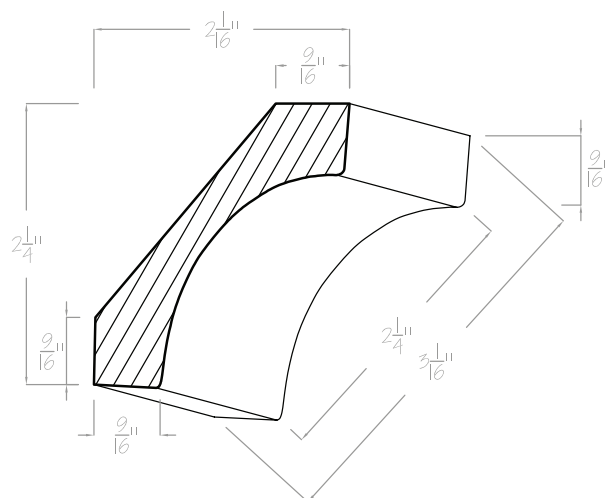
CROWN MOLDING



C-3009

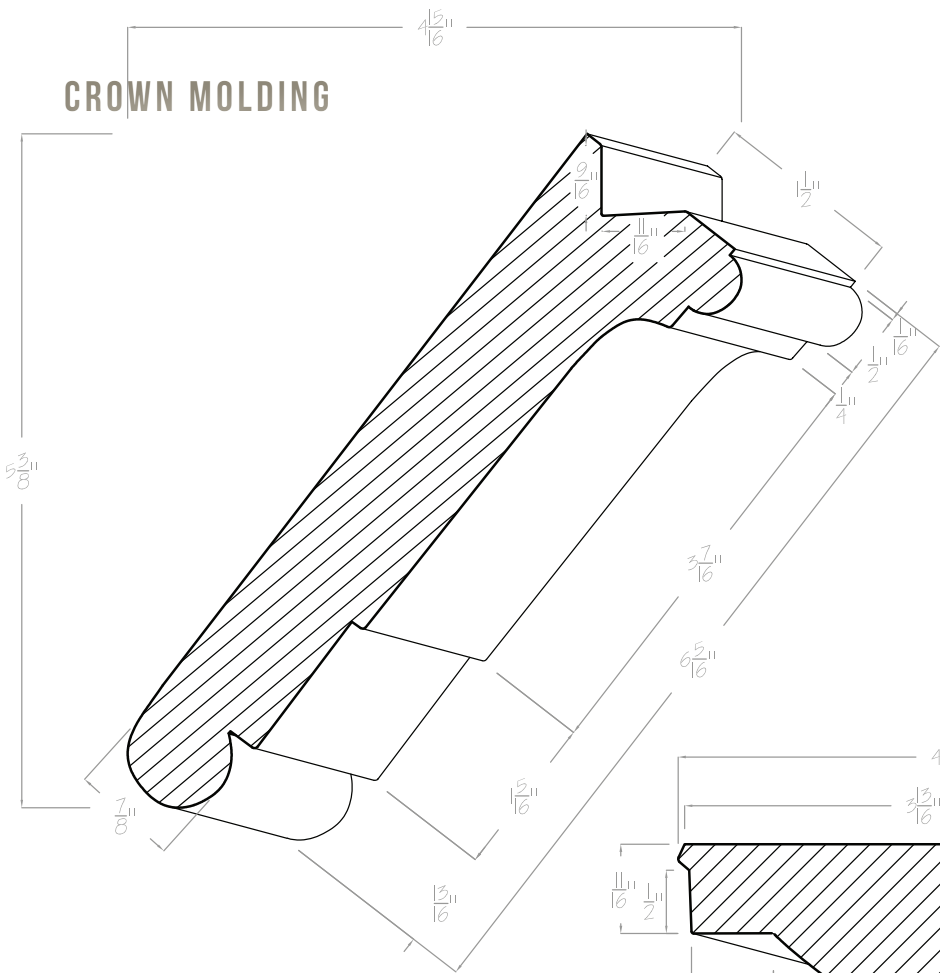


C-3010

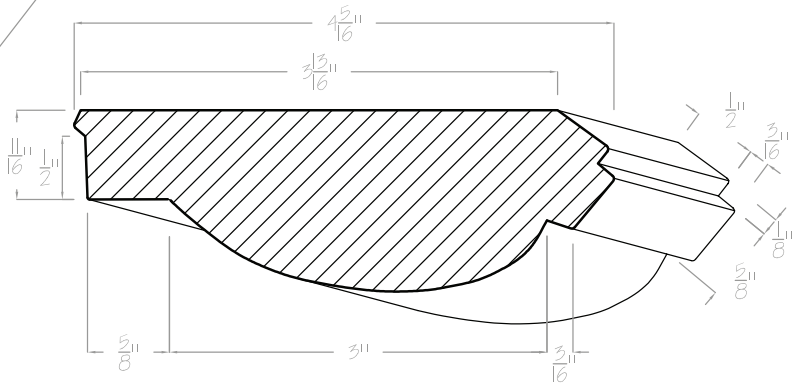


C-3011

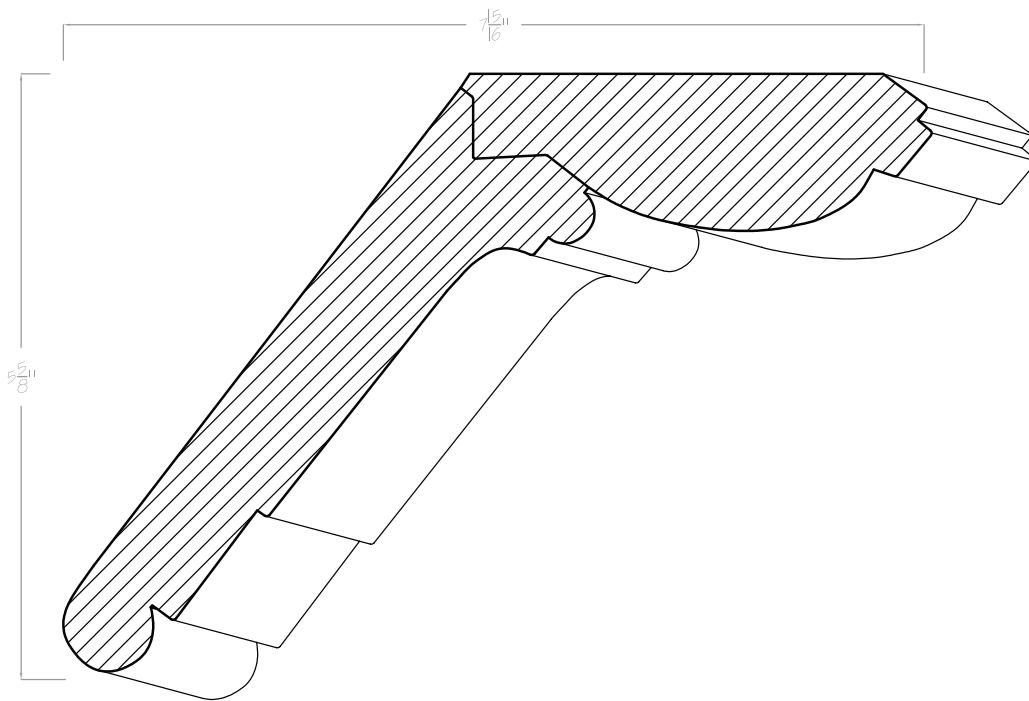
CROWN MOLDING



C-3012

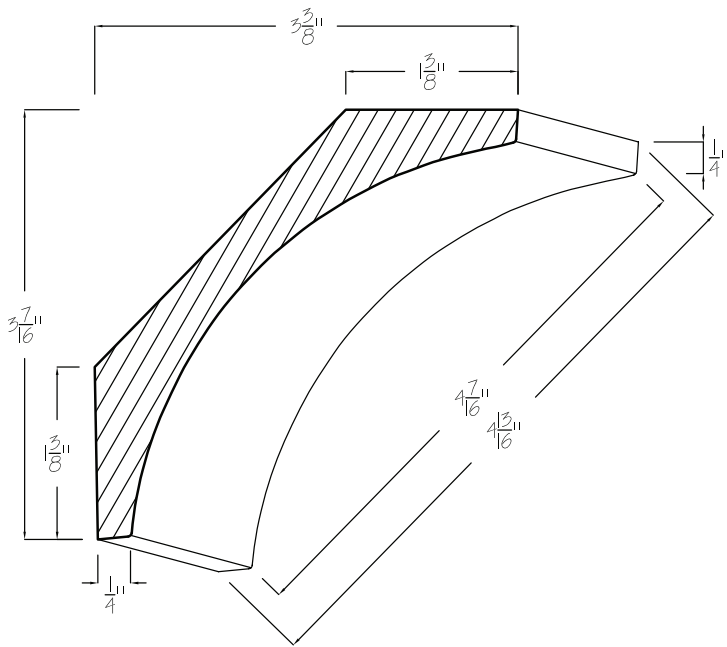


C-3012A

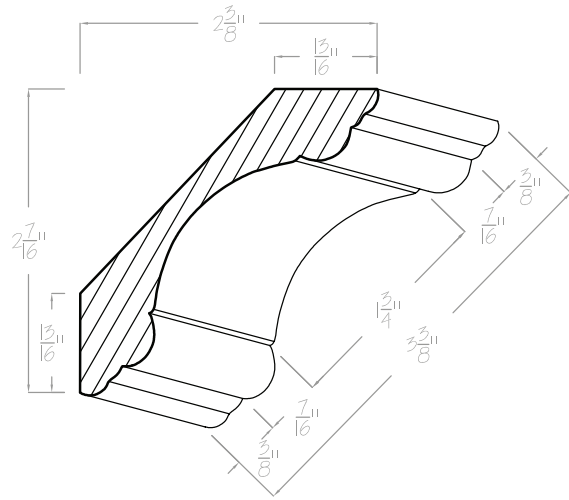


**C-3012/C-3012A
COMBO**

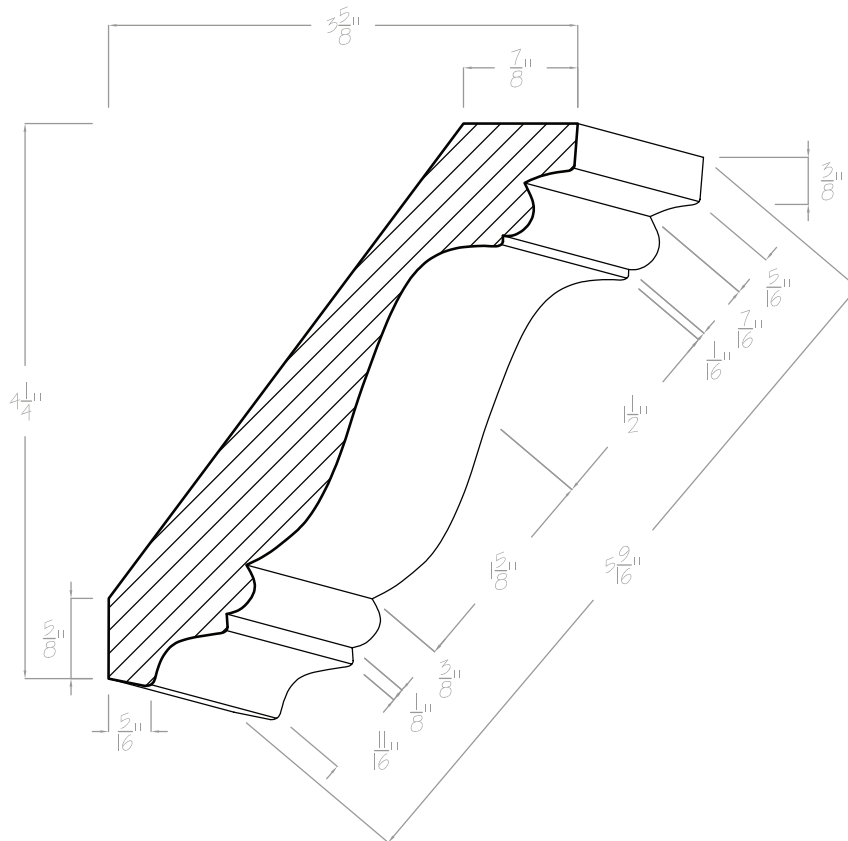
CROWN MOLDING



C-3017

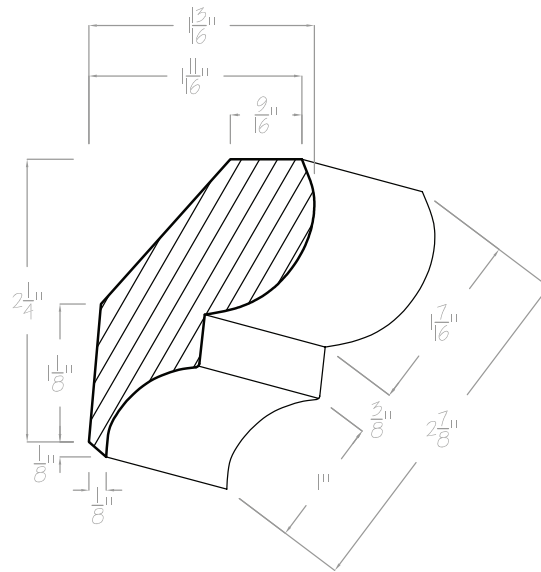


C-3018

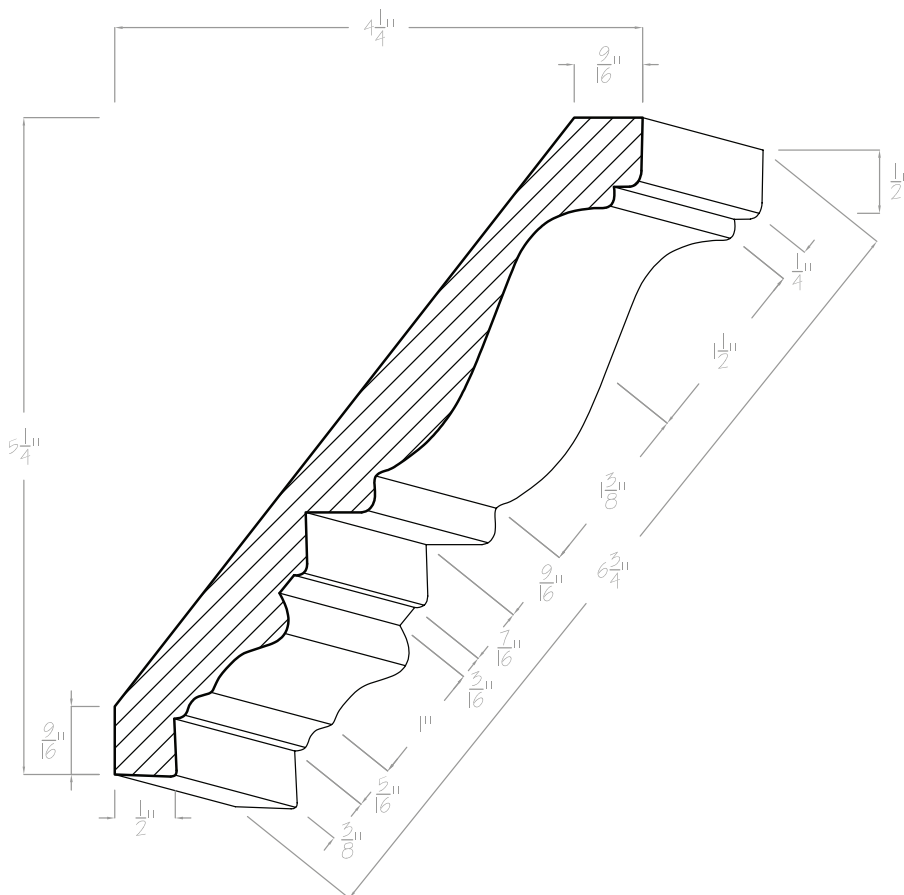


C-3019

CROWN MOLDING

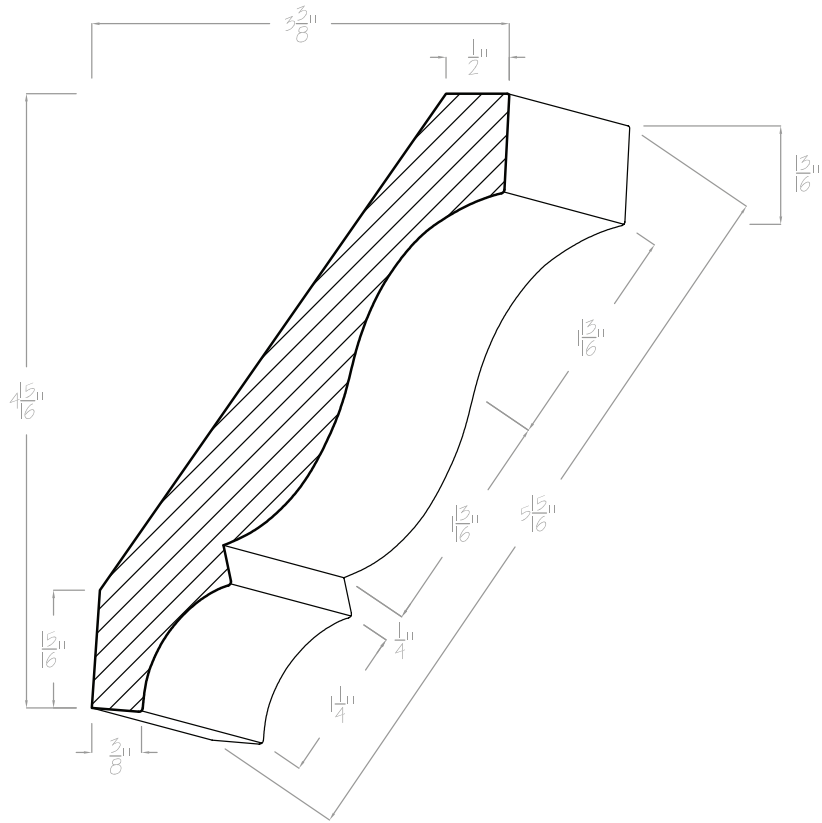


C-3025

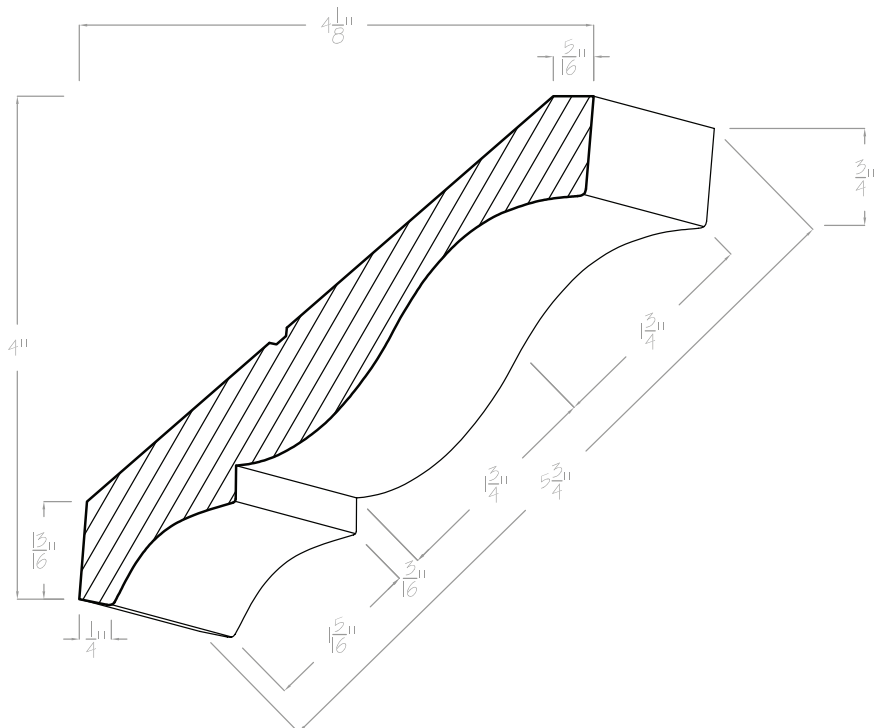


C-3026

CROWN MOLDING

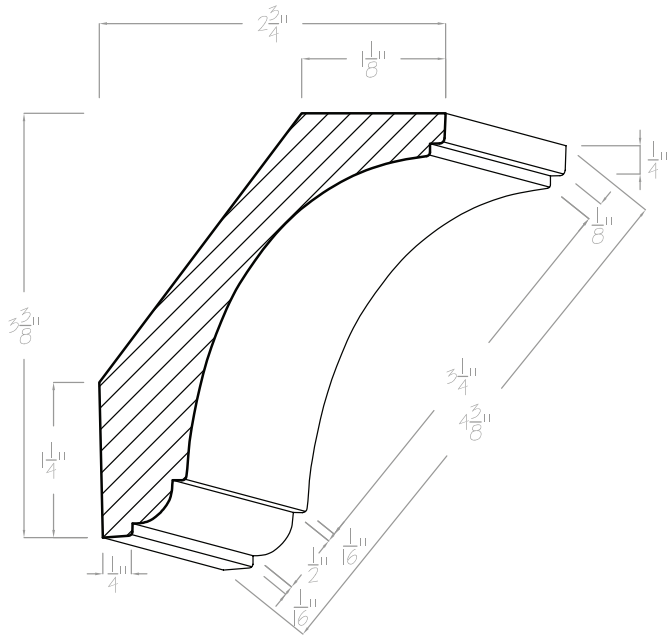


C-3027

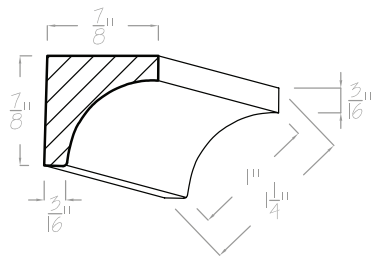


C-3027A

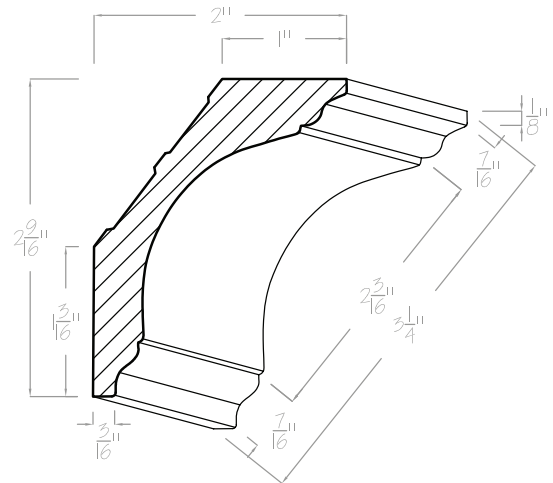
CROWN MOLDING



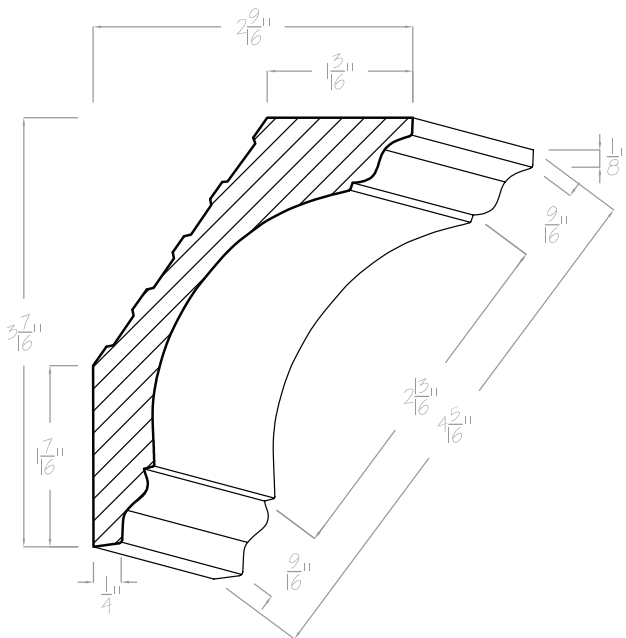
C-3028



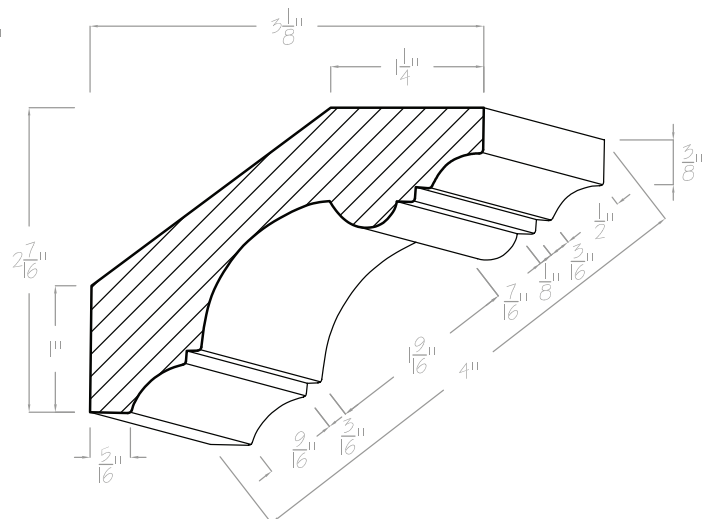
S-3029



C-3030A

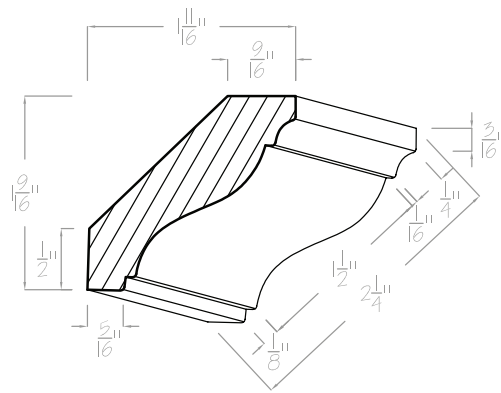


C-3030

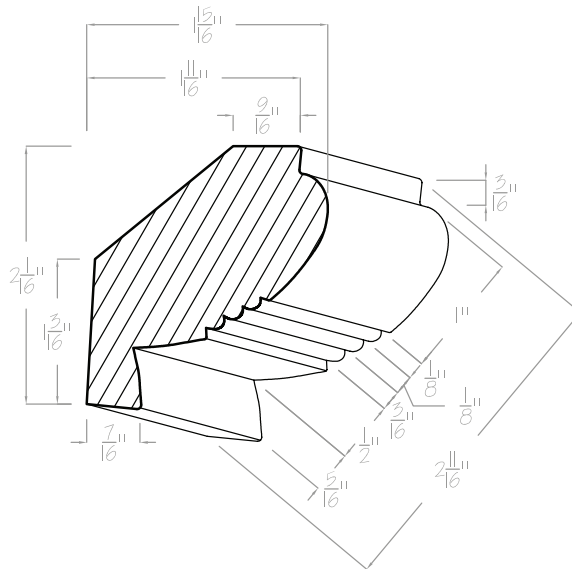


C-3031

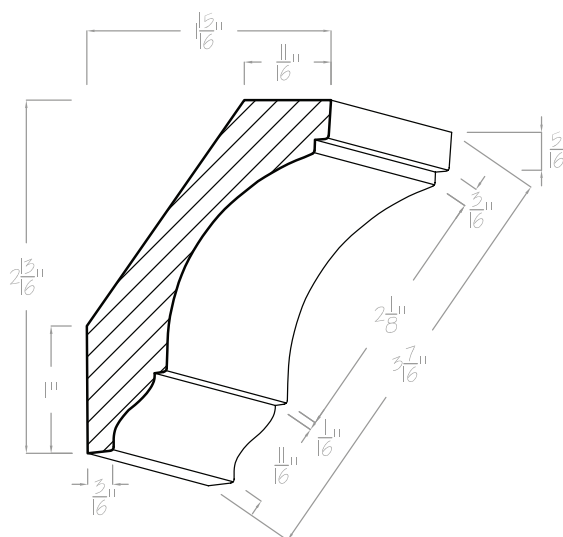
CROWN MOLDING



C-3034

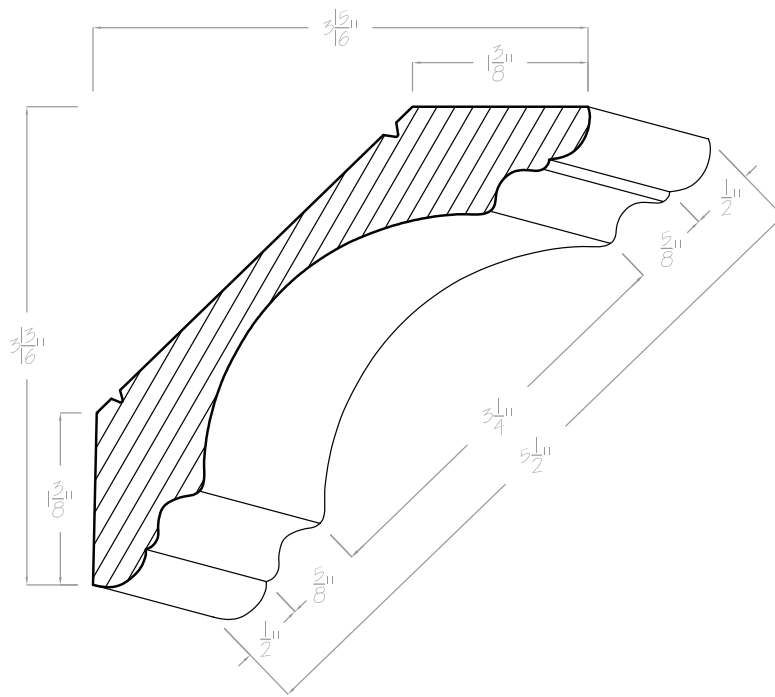


C-3035

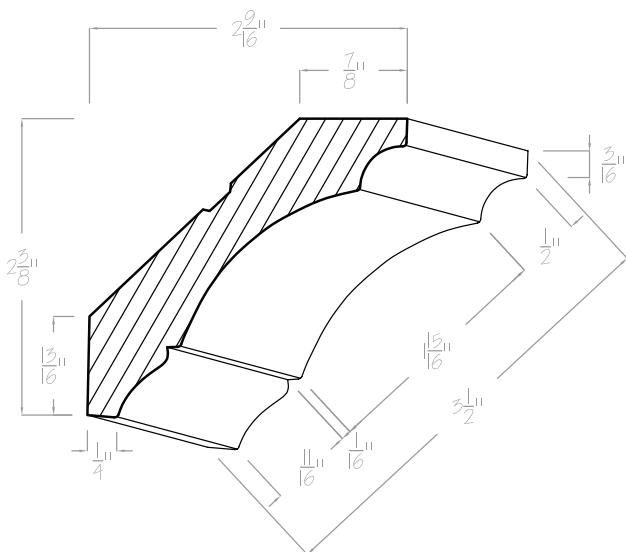


C-3036

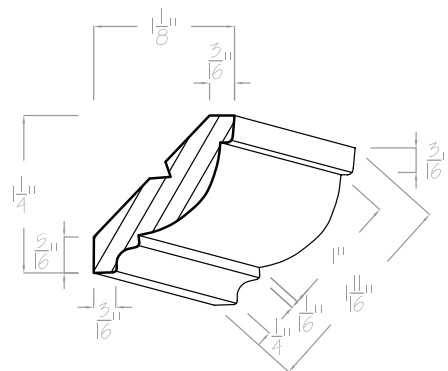
CROWN MOLDING



C-3037

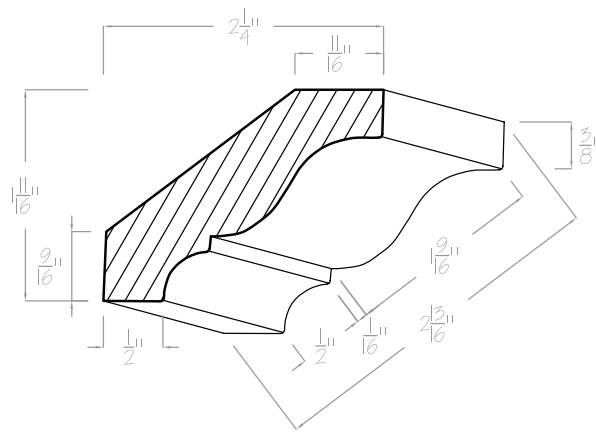


C-3038

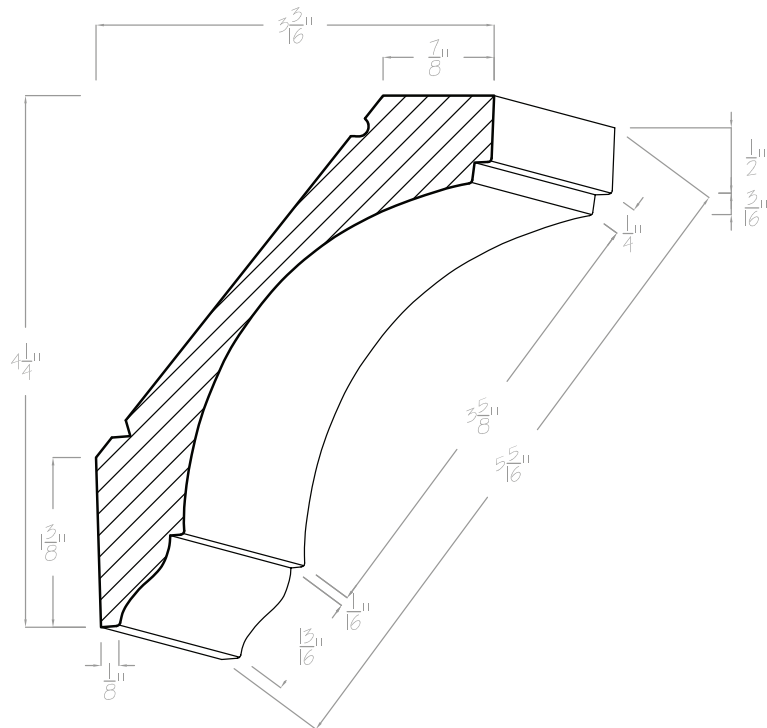


C-3039

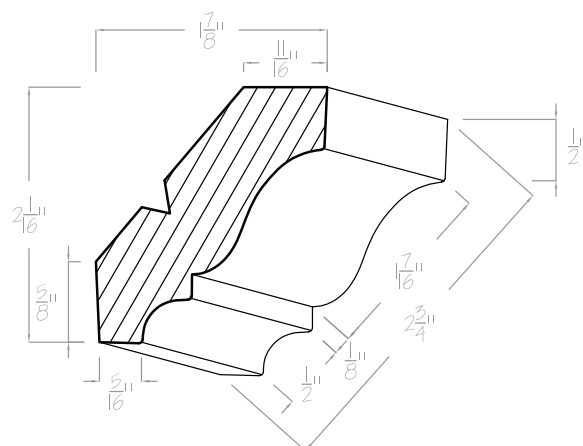
CROWN MOLDING



C-3040

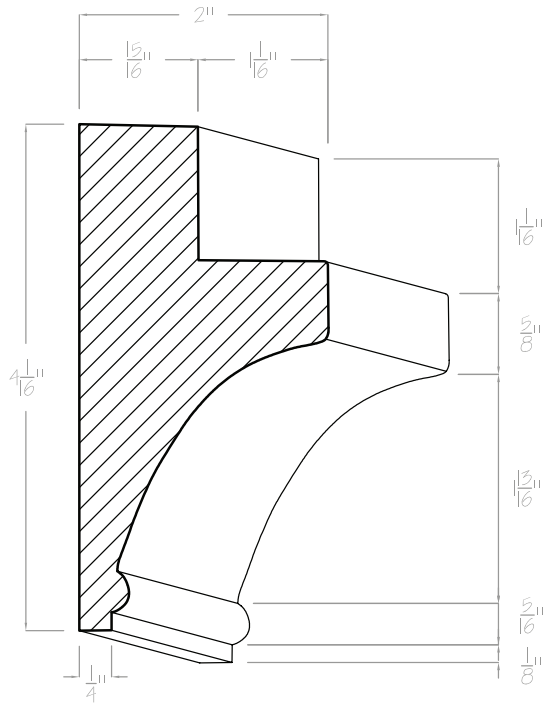


C-3041

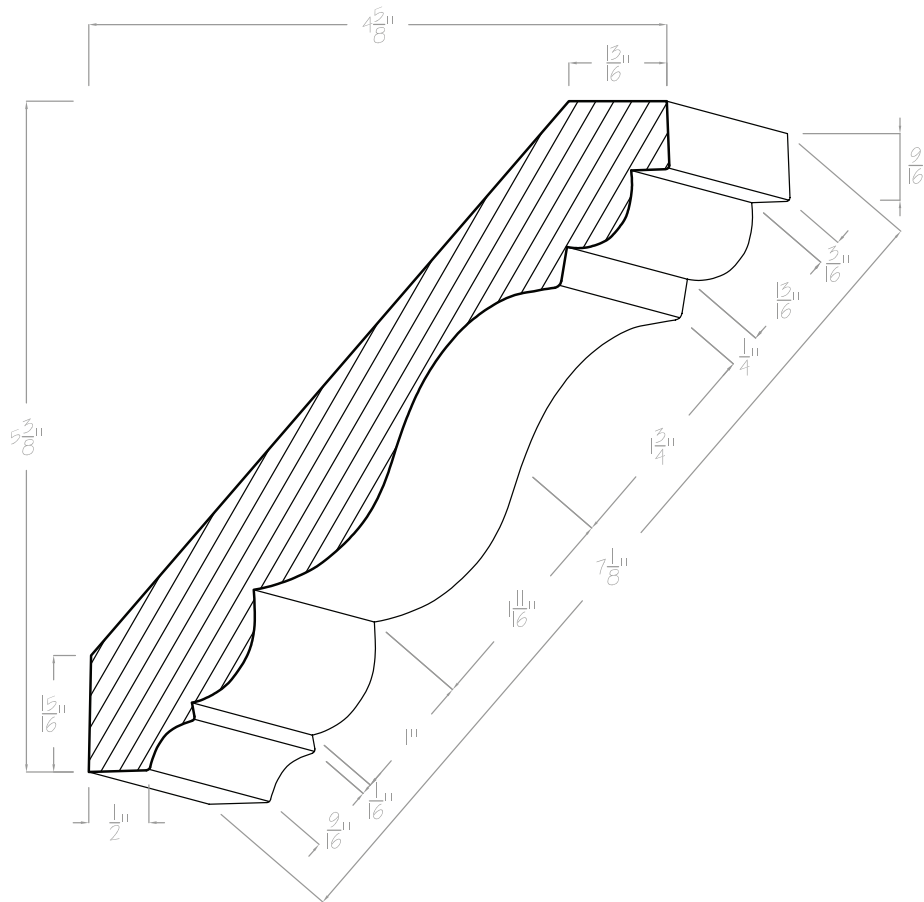


C-3042

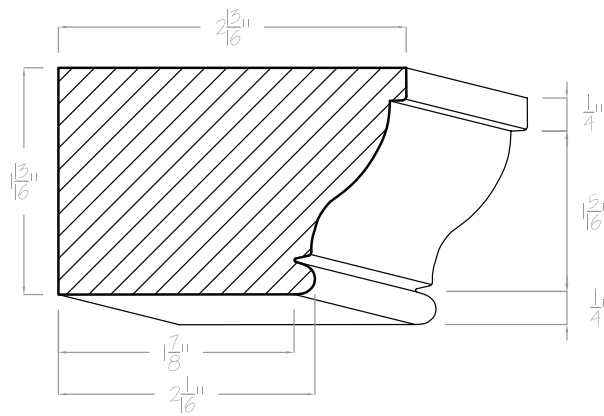
CROWN MOLDING



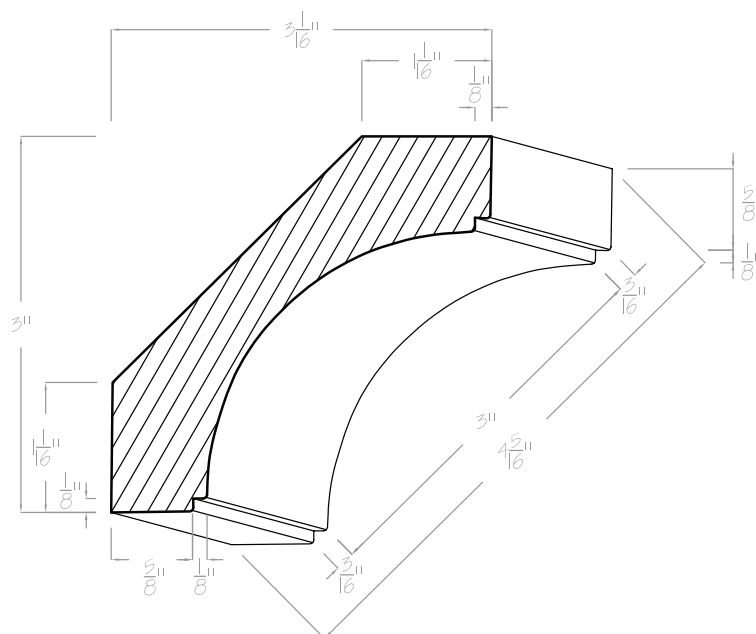
C-3043



C-3044

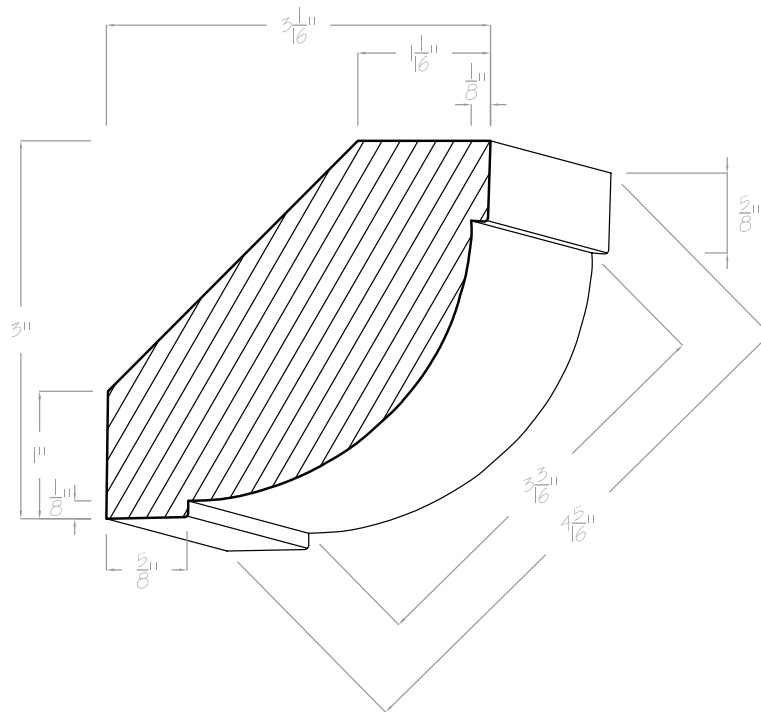


C-3050

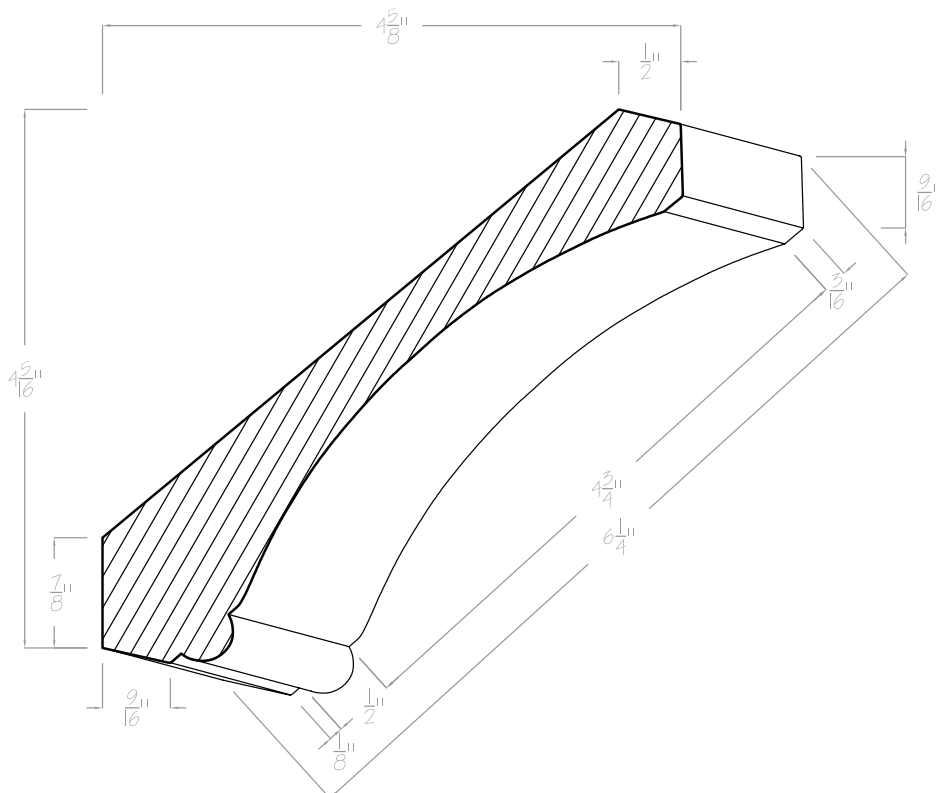


C-3052

CROWN MOLDING

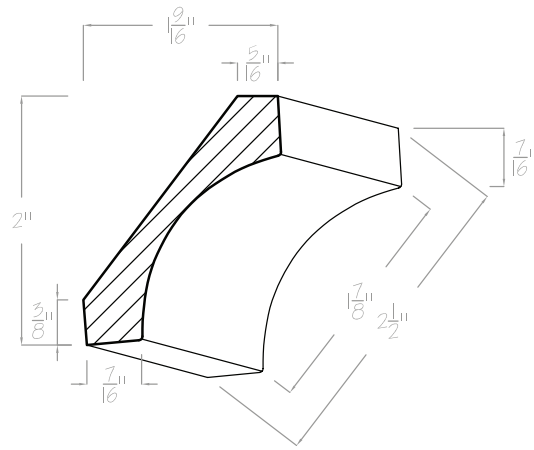


C-3053

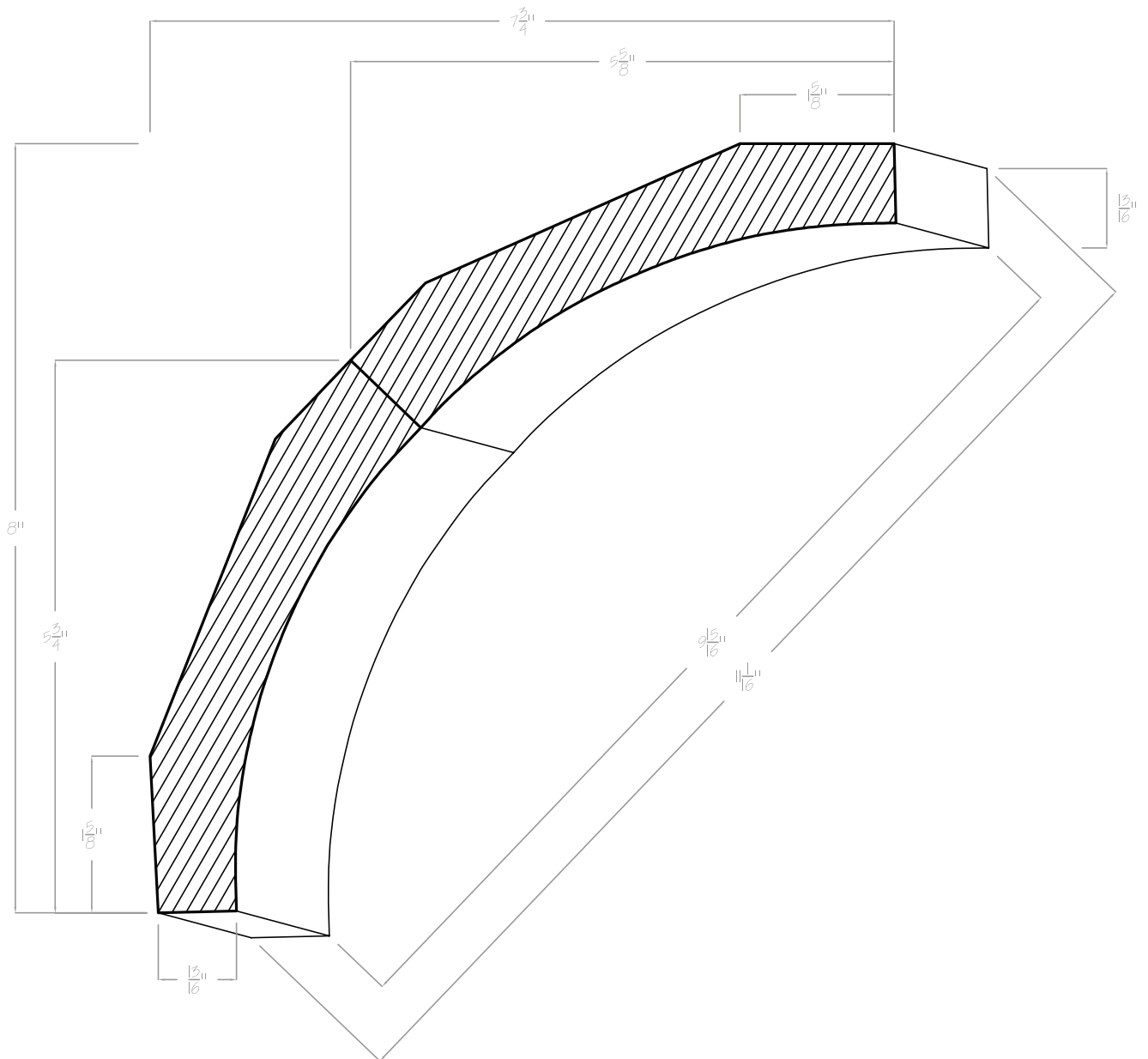


C-3054

CROWN MOLDING

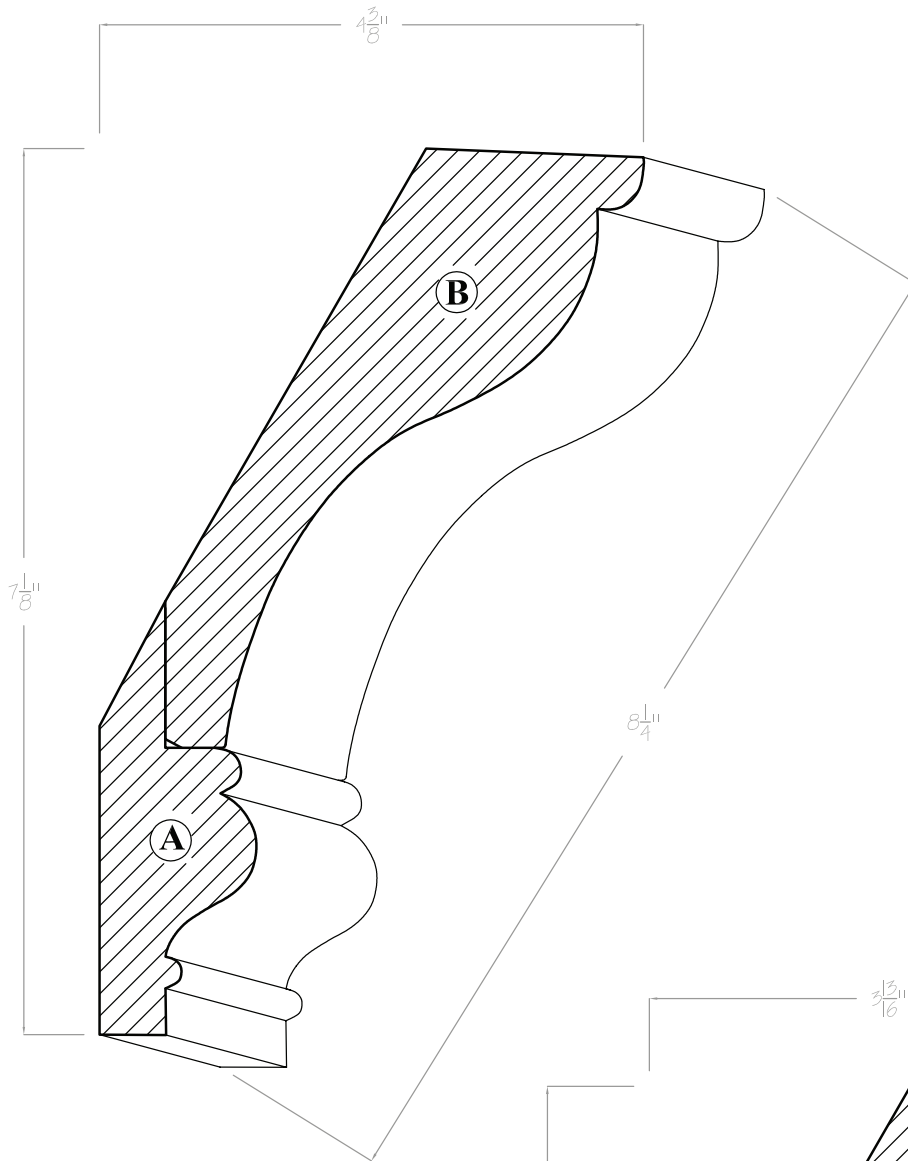


C-3055

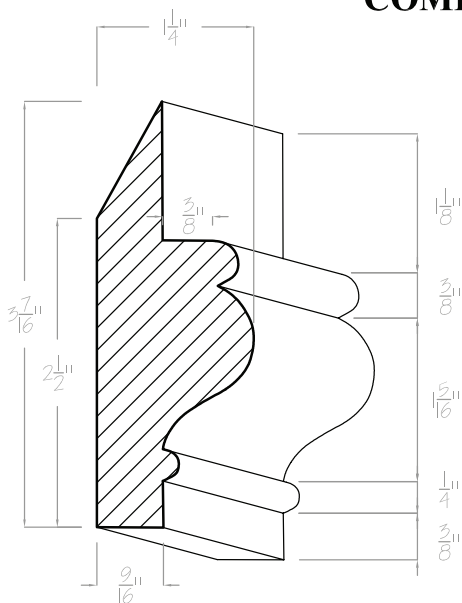


C-3056
2-PIECE CROWN

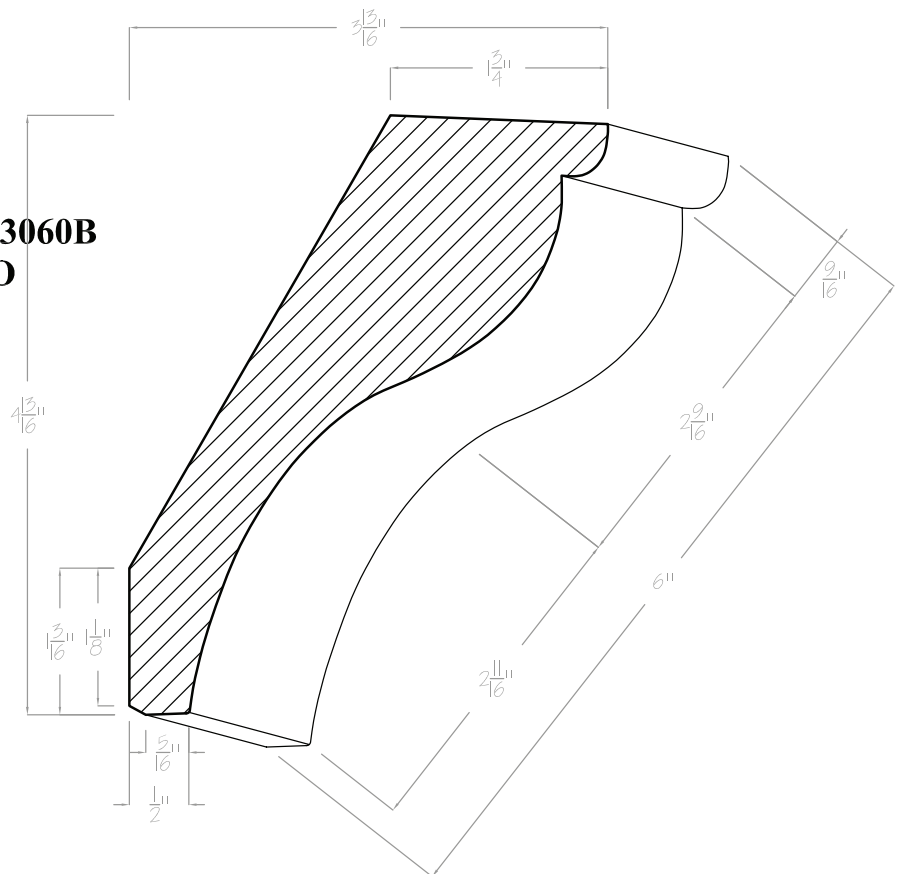
CROWN MOLDING



**C-3060A - C-3060B
COMBO**

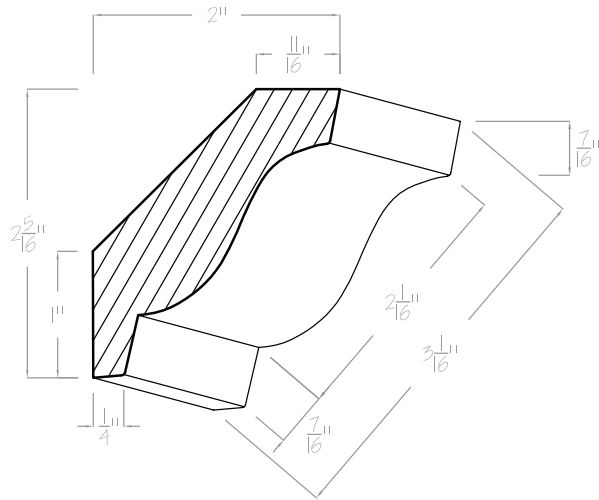


C-3060A

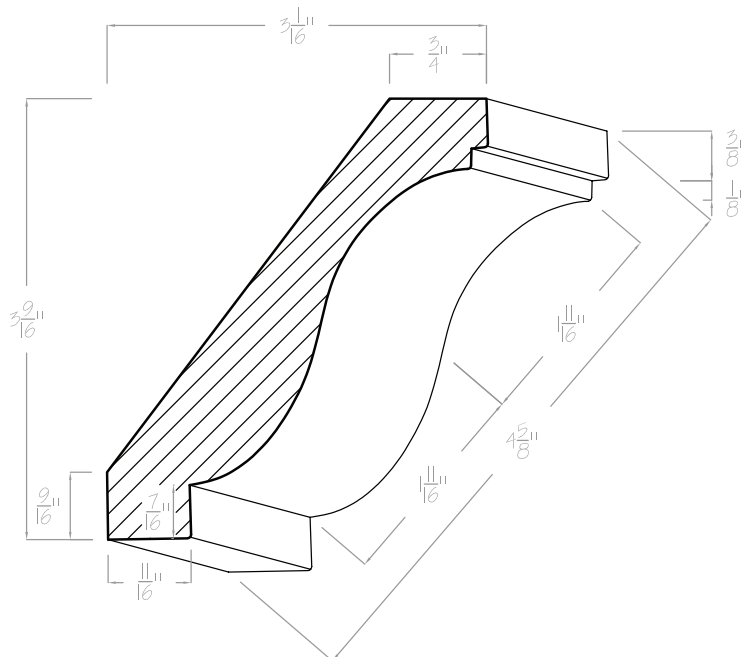


C-3060B

CROWN MOLDING

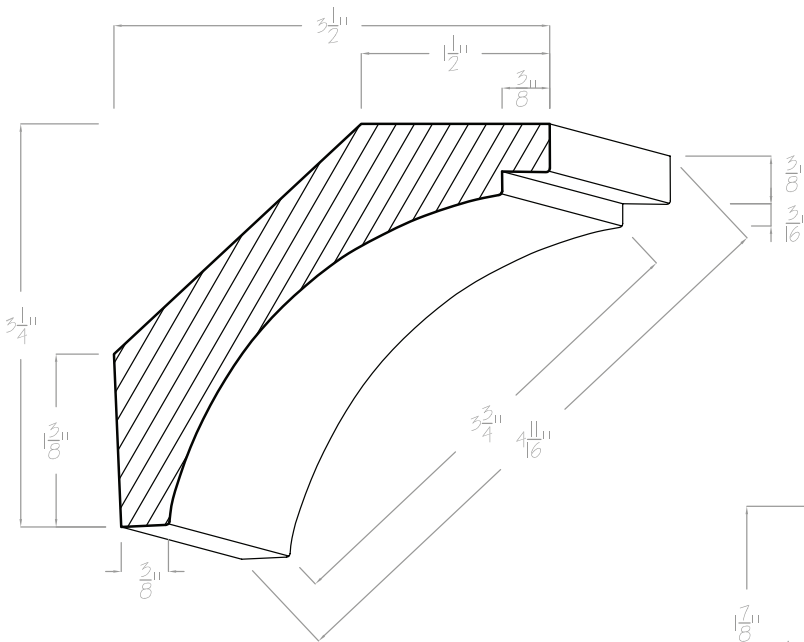


C-3061

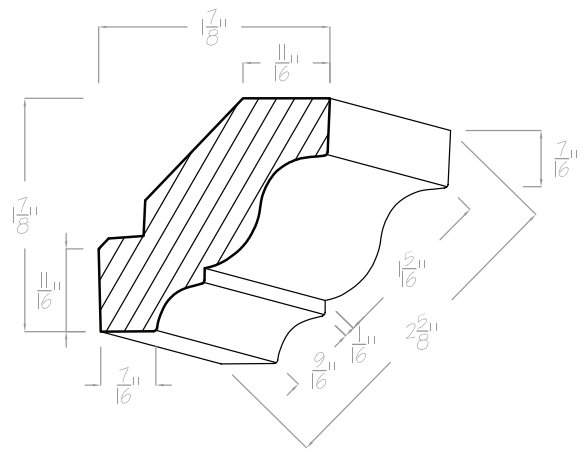


C-3062

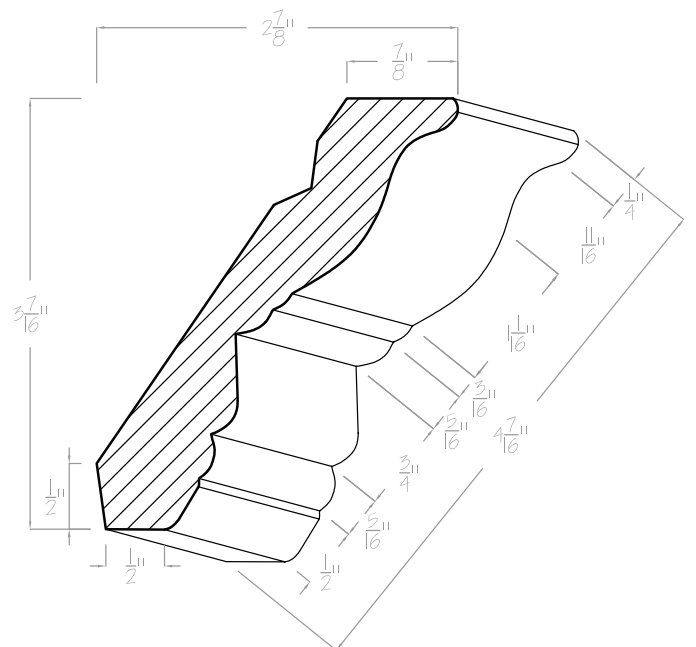
CROWN MOLDING



C-3063

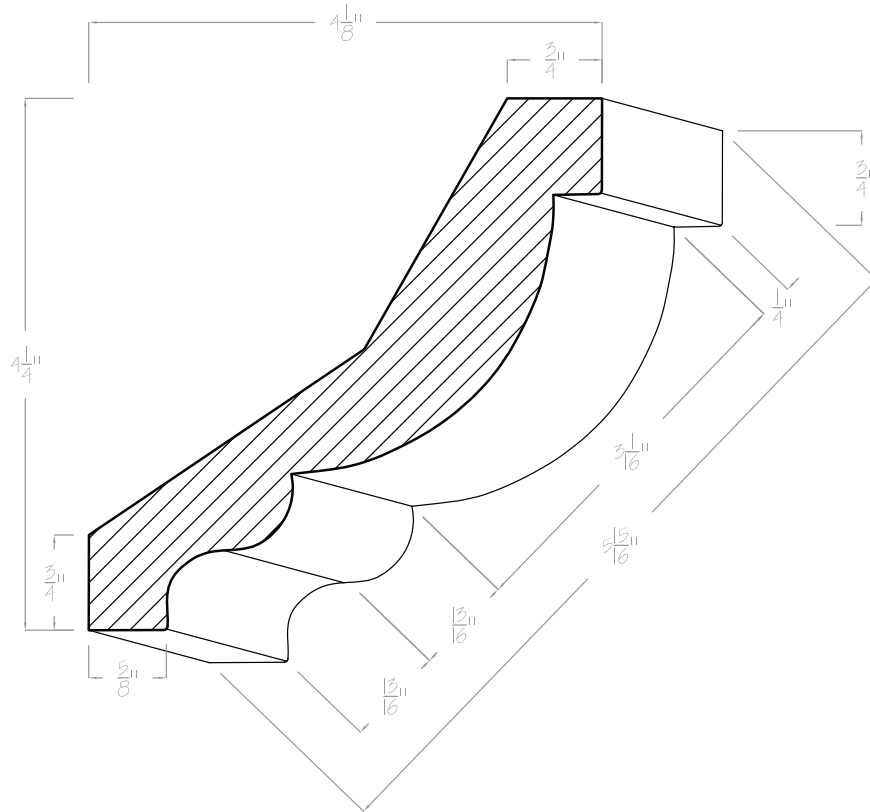


C-3064

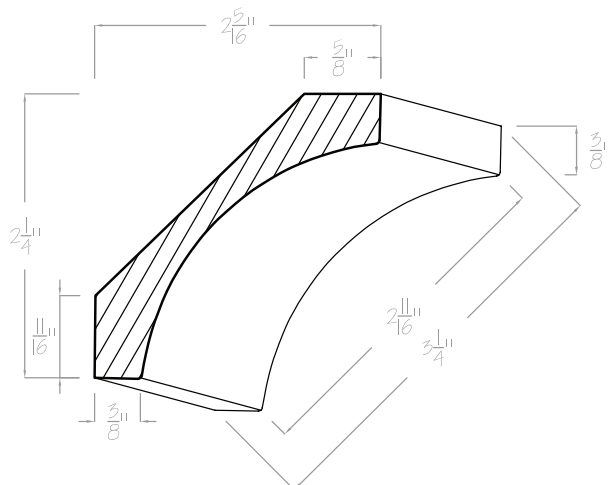


C-3065

CROWN MOLDING

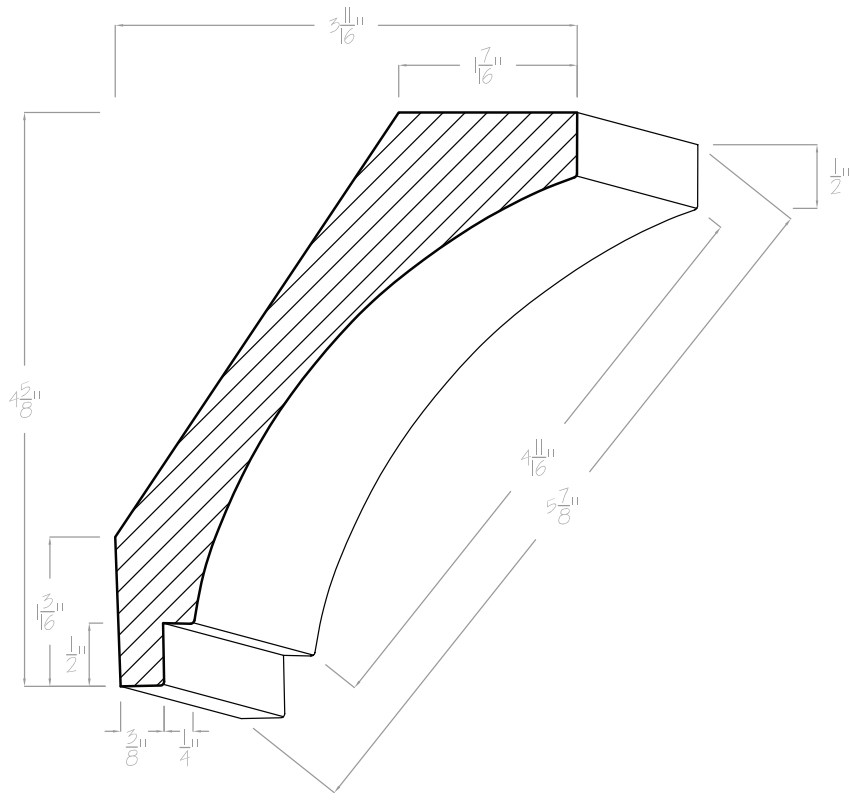


C-3069

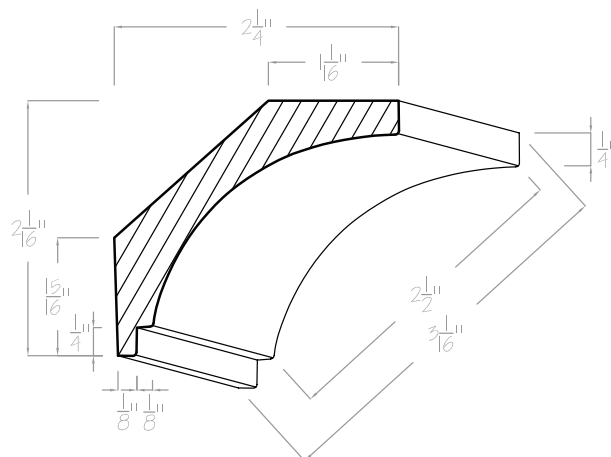


C-3070

CROWN MOLDING

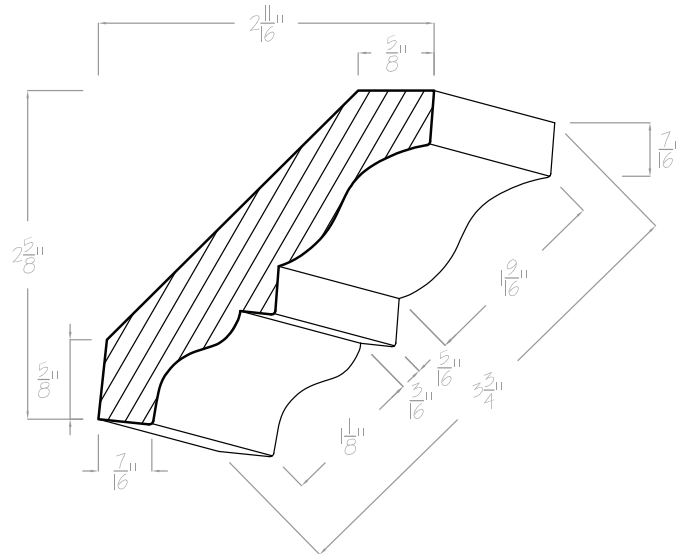


C-3071

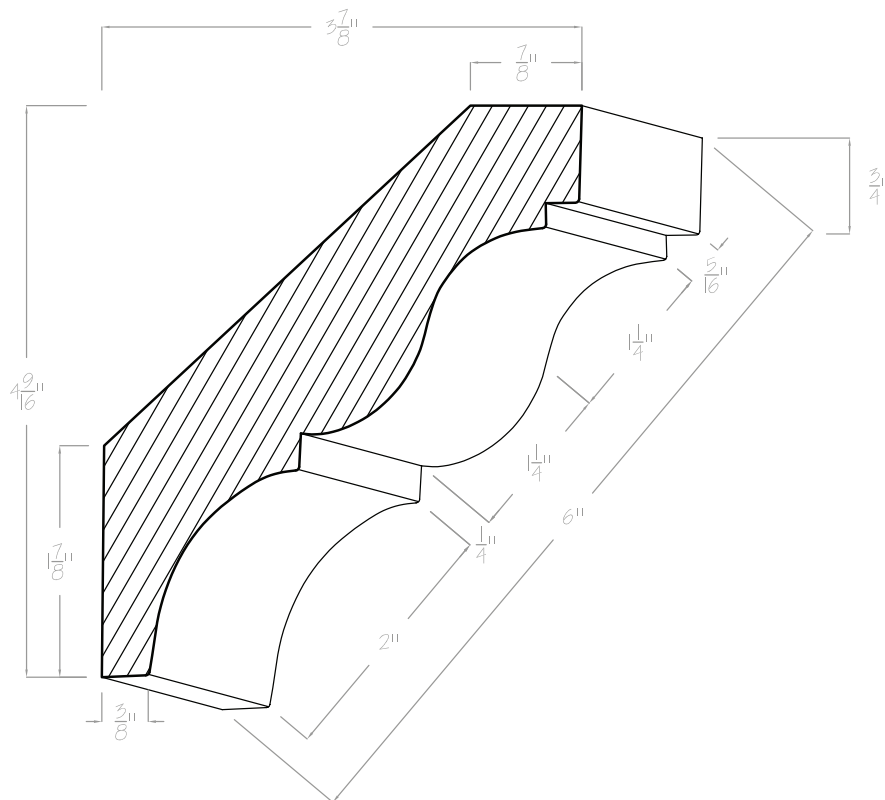


C-3072

CROWN MOLDING

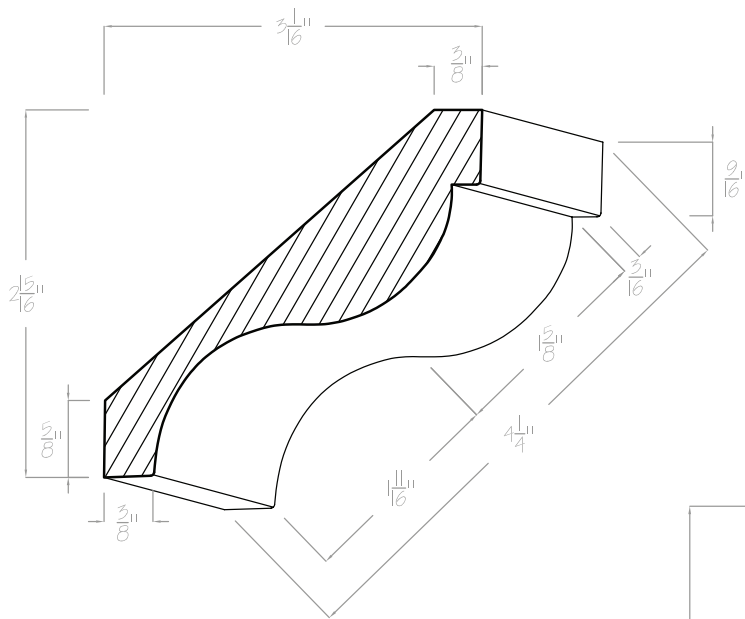


C-3080

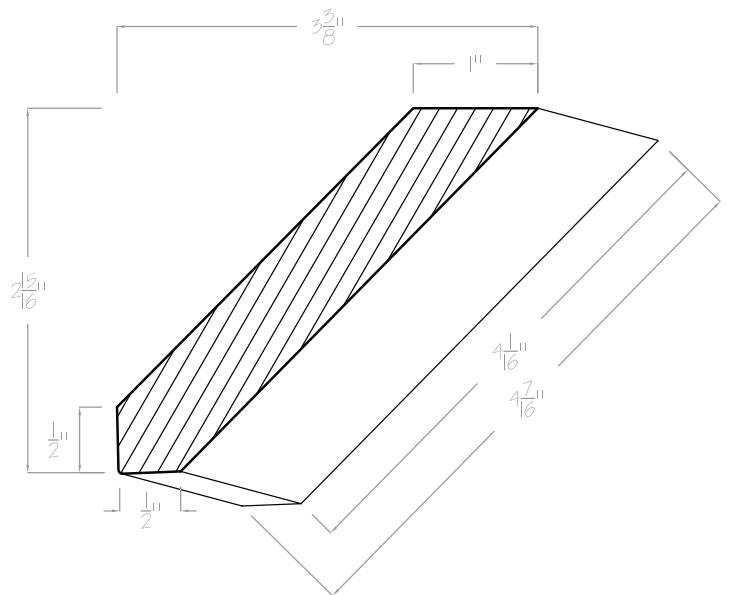


C-3081

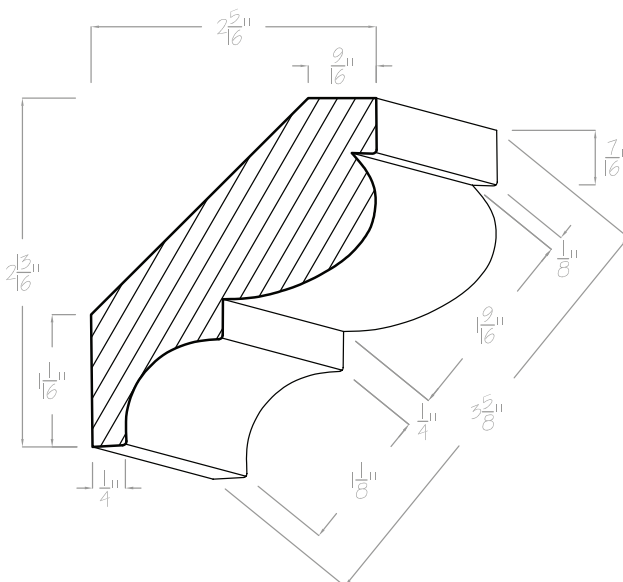
CROWN MOLDING



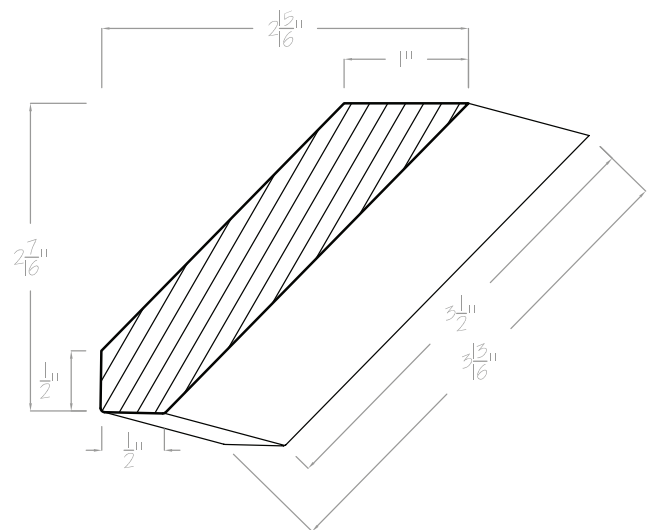
C-3085



C-3087

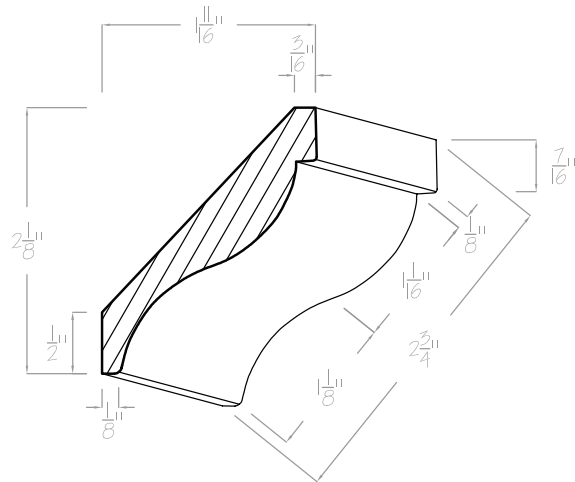


C-3086

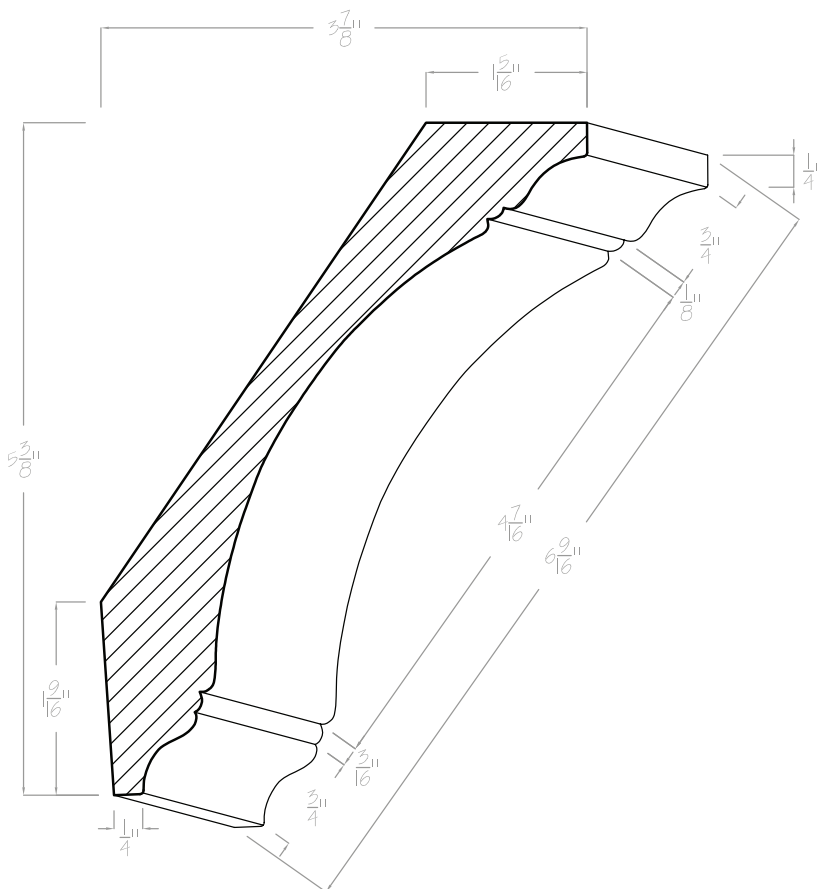


C-3087A

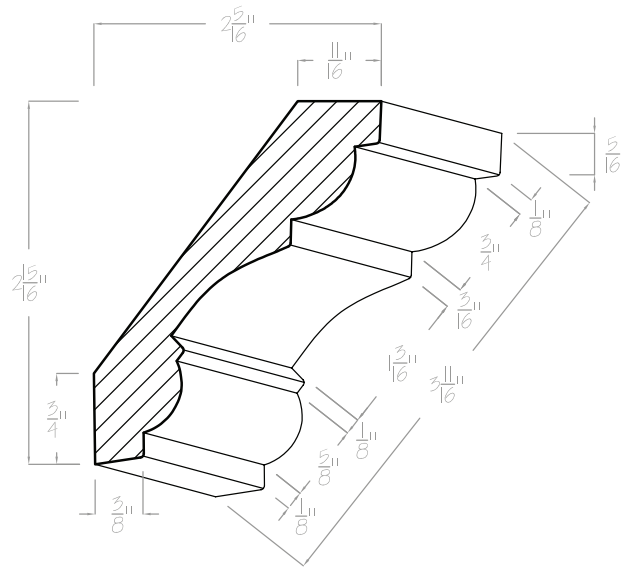
CROWN MOLDING



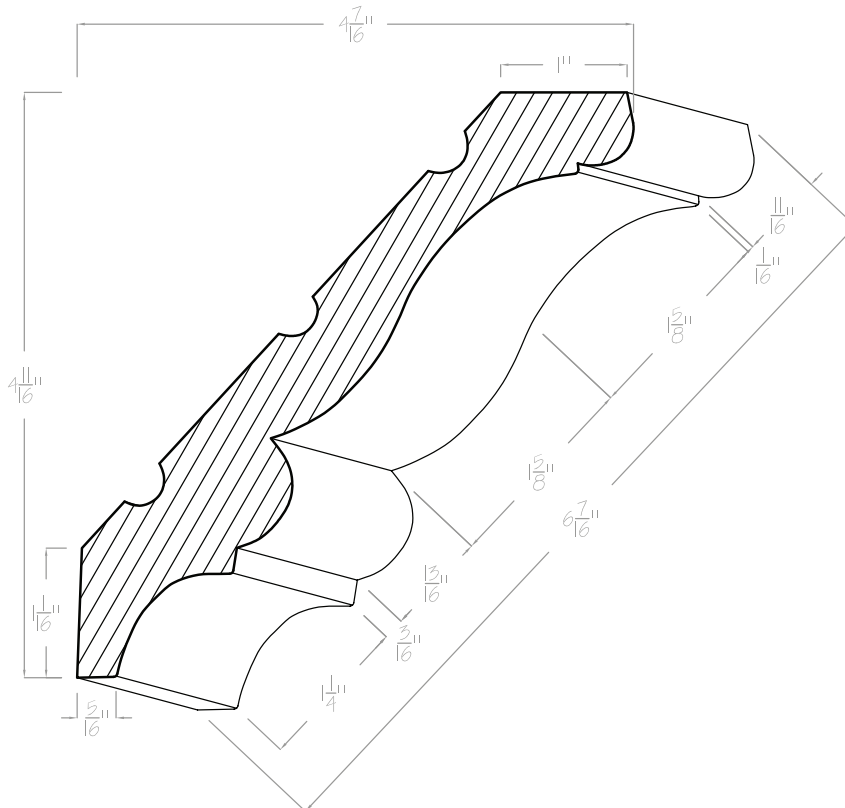
C-3088



C-3089

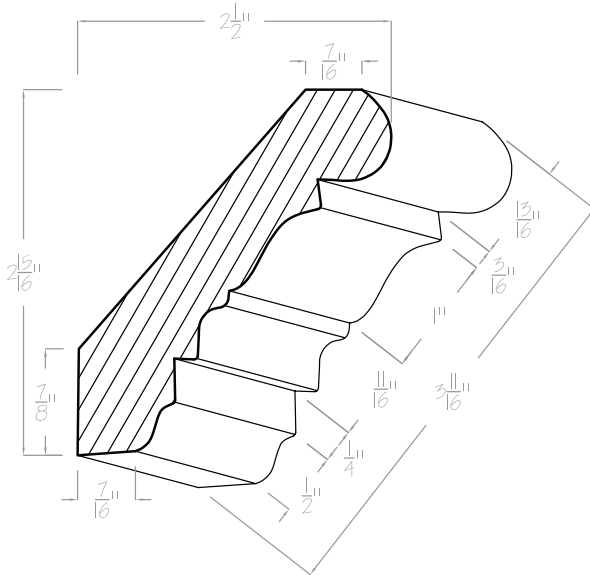


C-3090

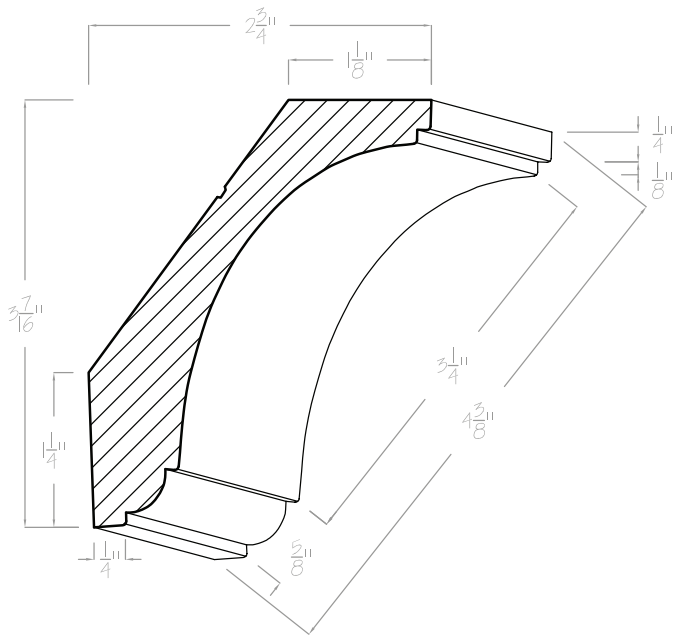


C-3091

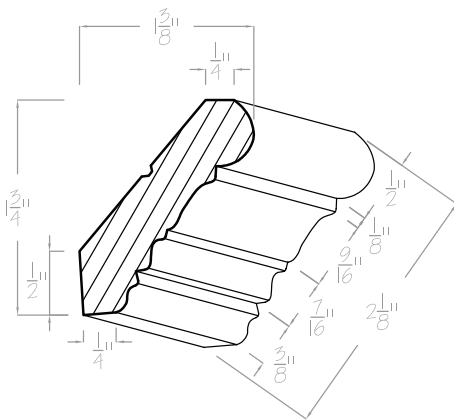
CROWN MOLDING



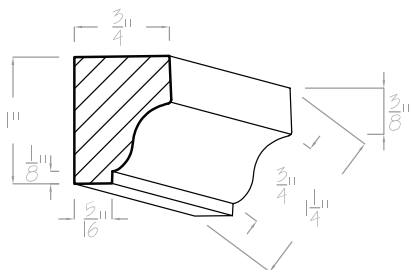
C-3092



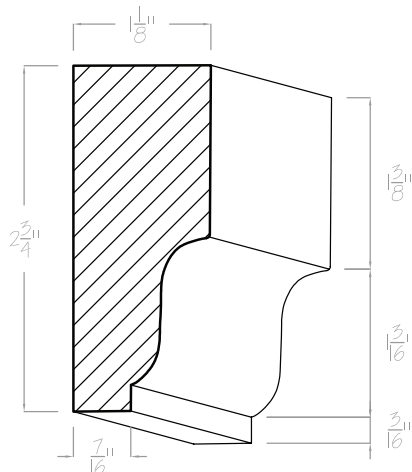
C-3094



C-3092A

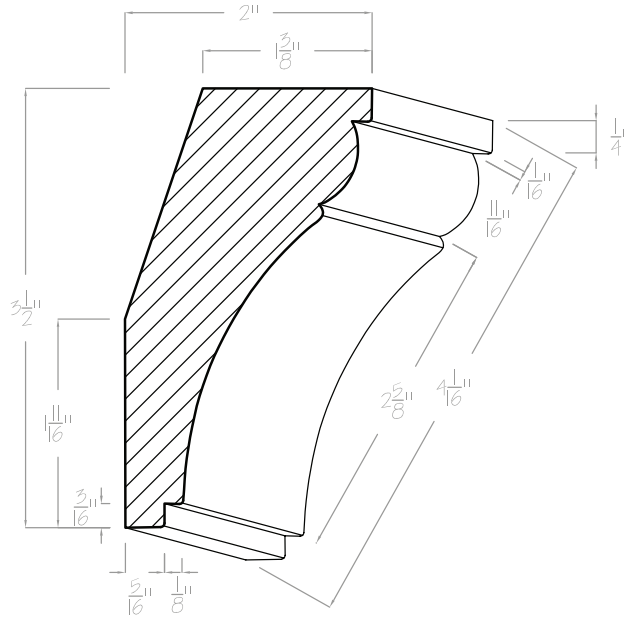


C-3093

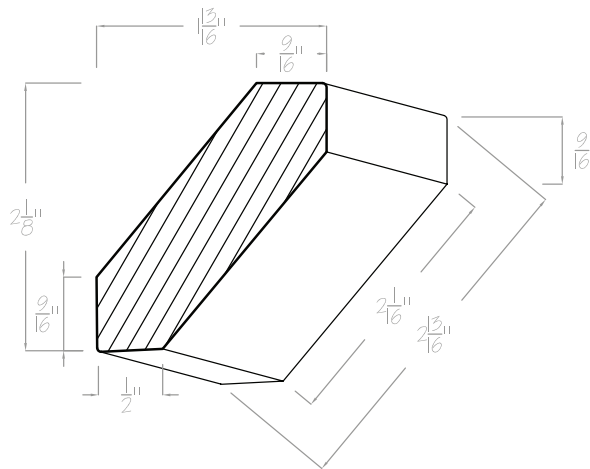


C-3095

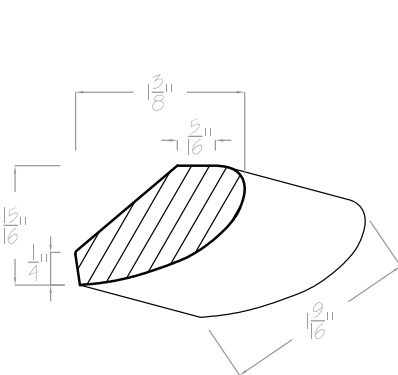
CROWN MOLDING



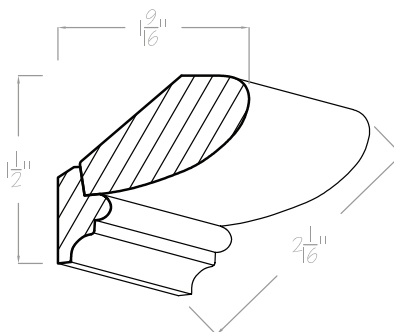
C-3098



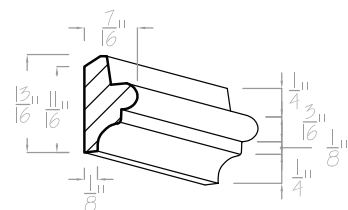
C-3099
REVERSIBLE



C-3100

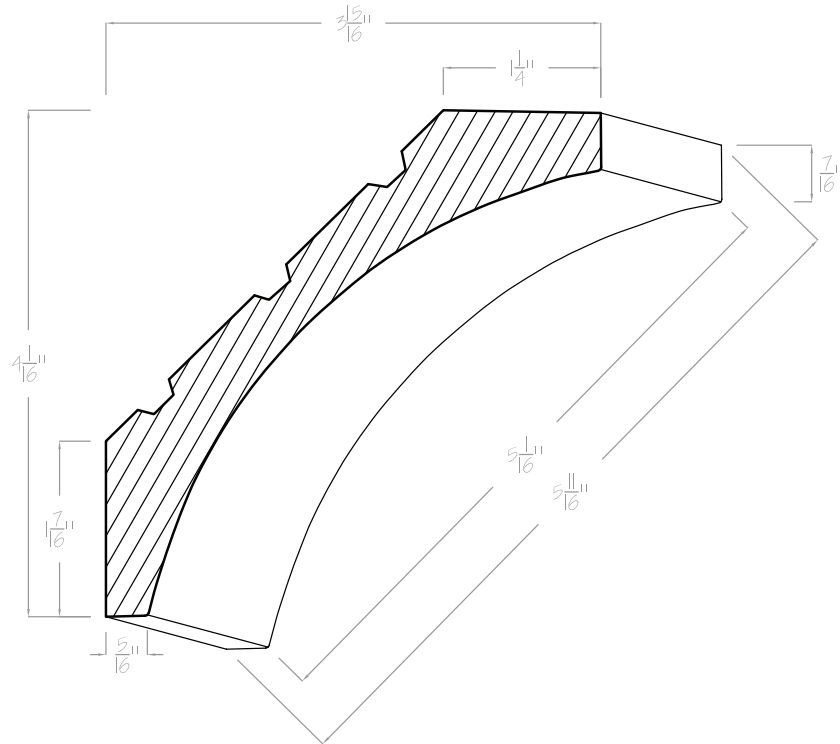


C-3100 - C3100A
COMBO

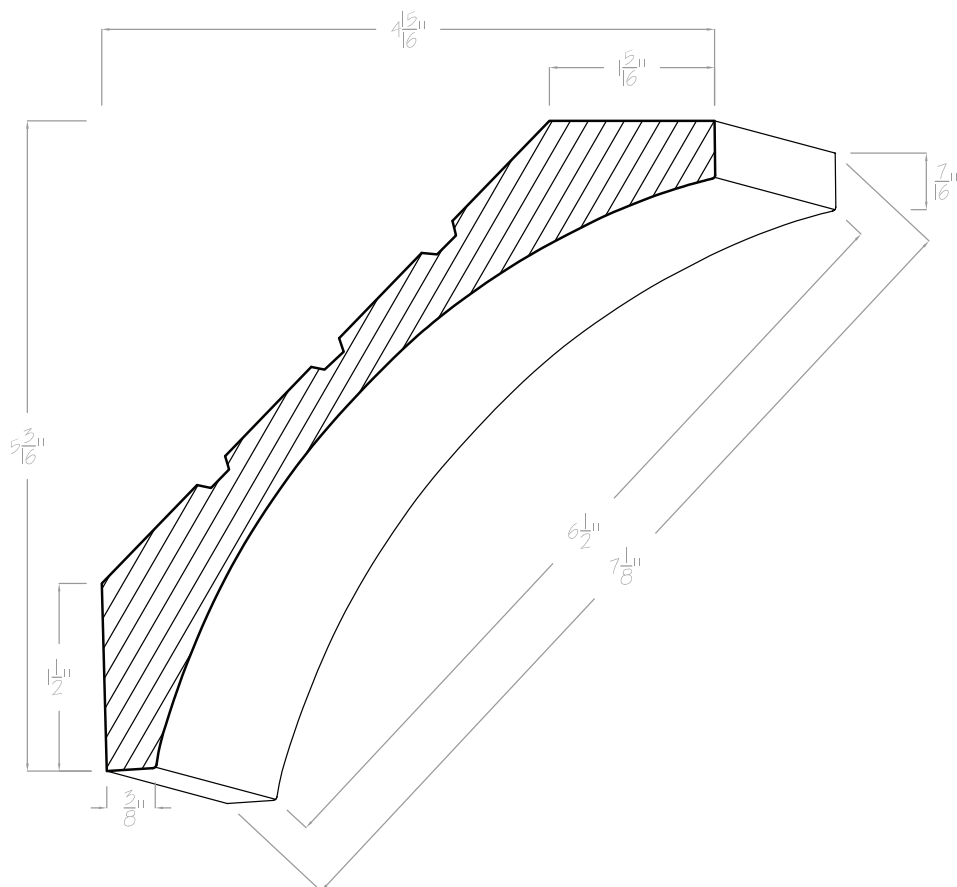


C-3100A

CROWN MOLDING

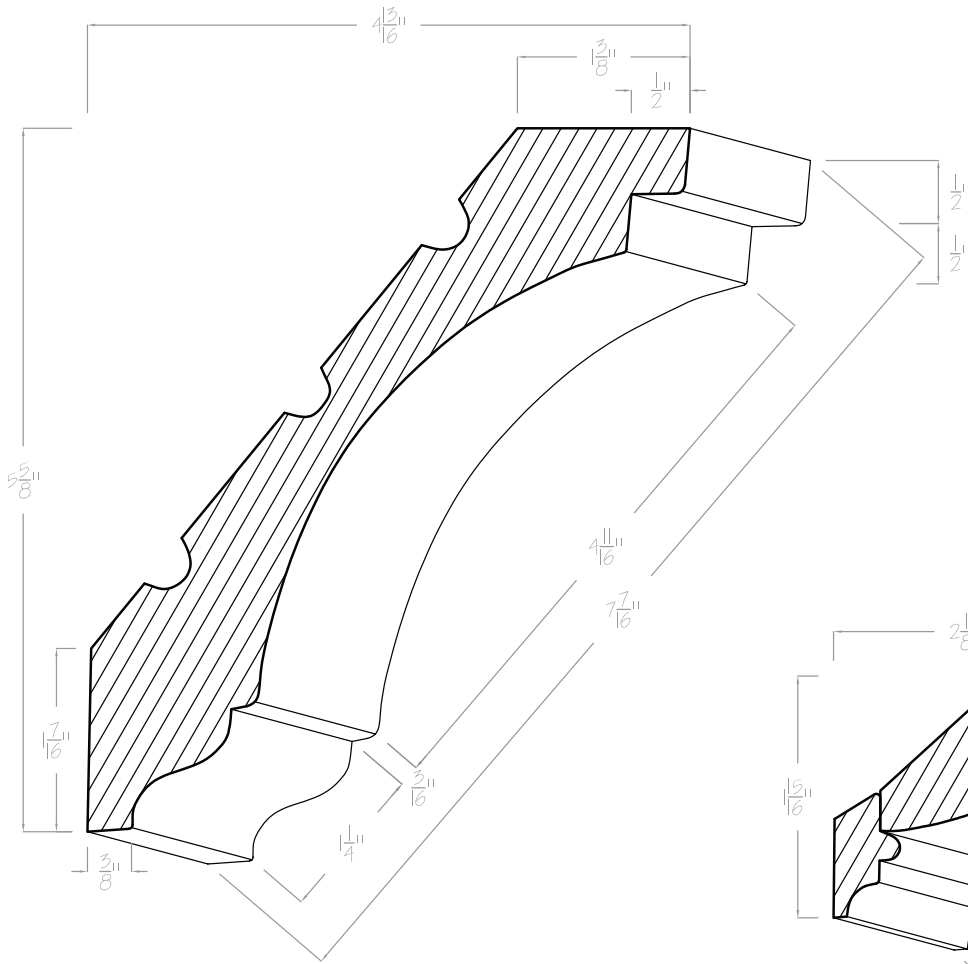


C-3101

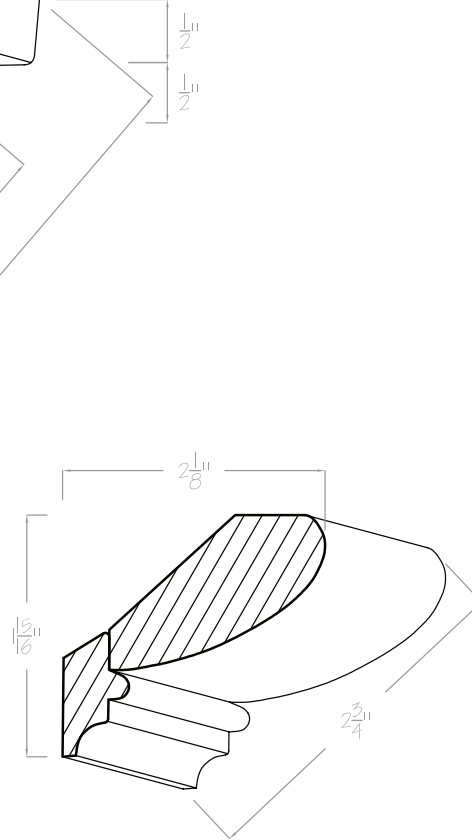


C-3102

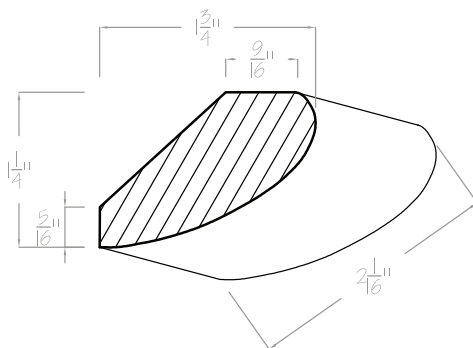
CROWN MOLDING



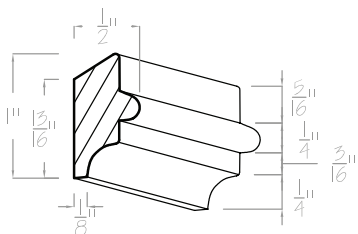
C-3103



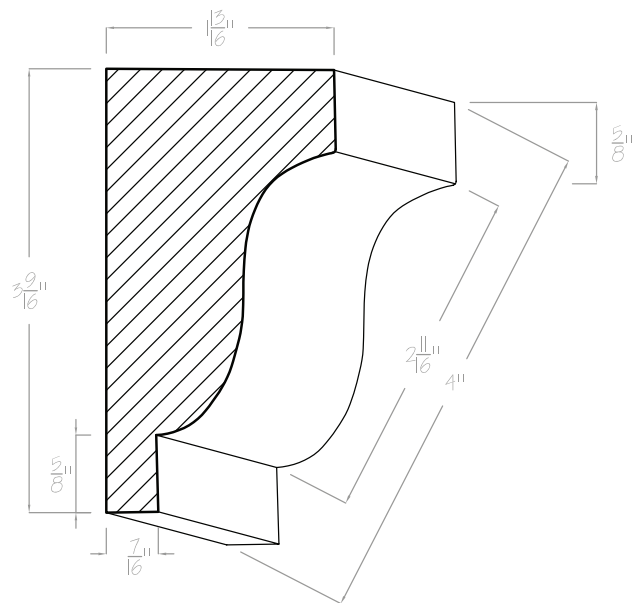
**C-3104 - C-3104A
COMBO**



C-3104

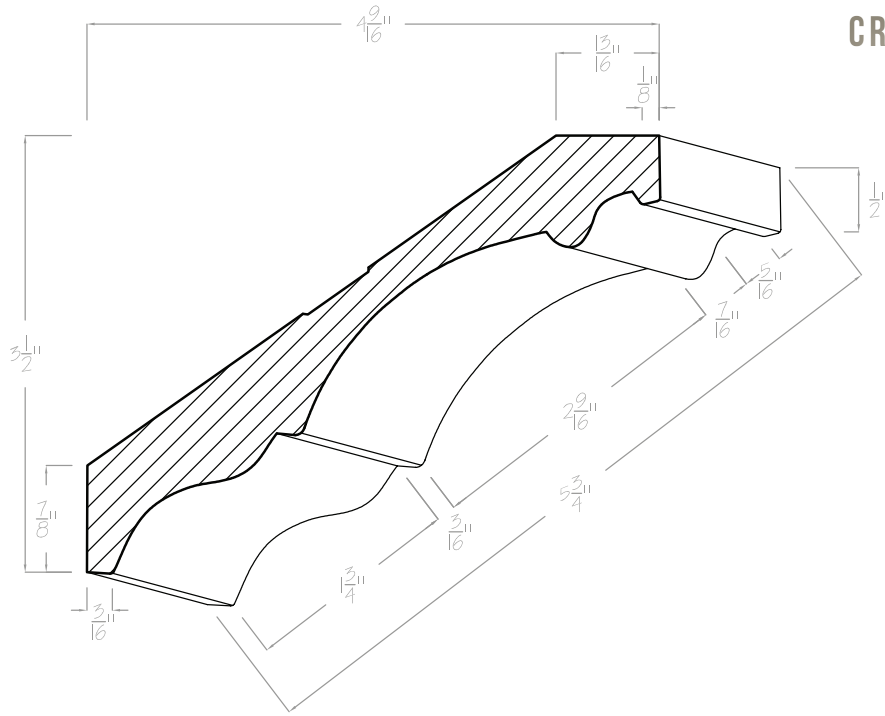


C-3104A

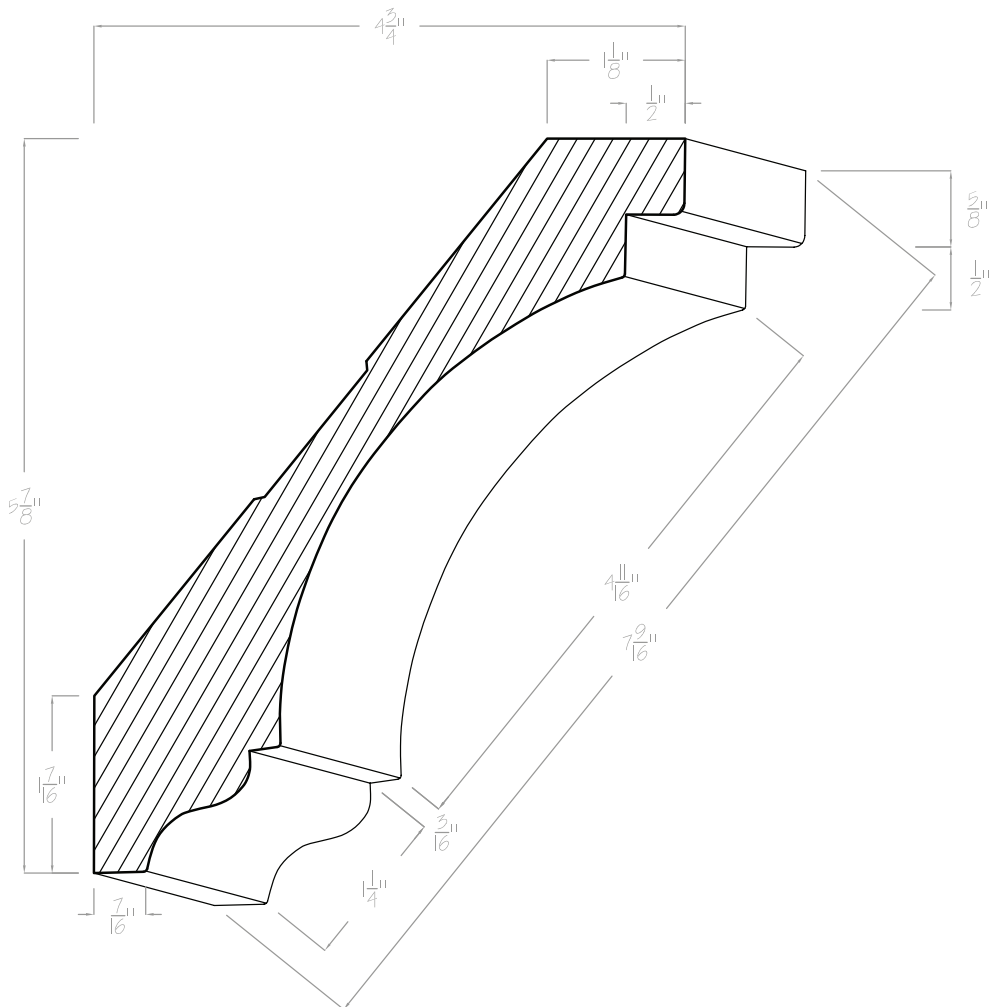


C-3105

CROWN MOLDING

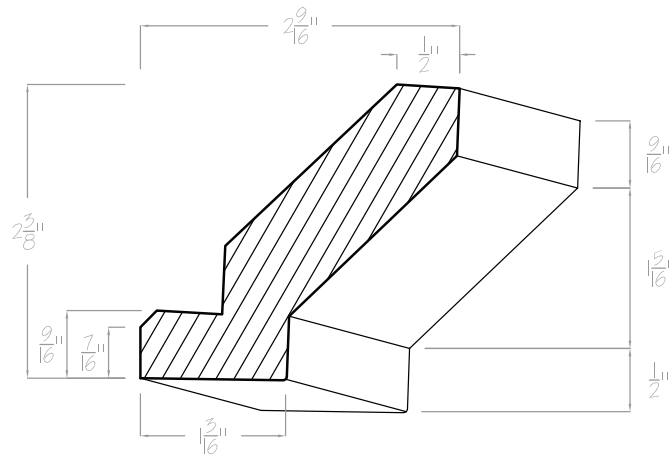


C-3111

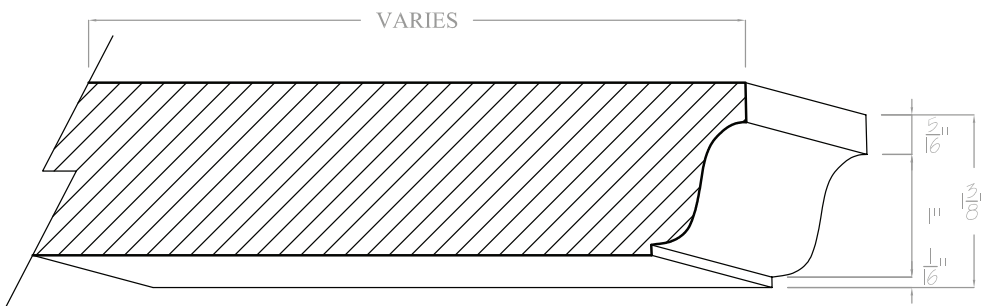


C-3112

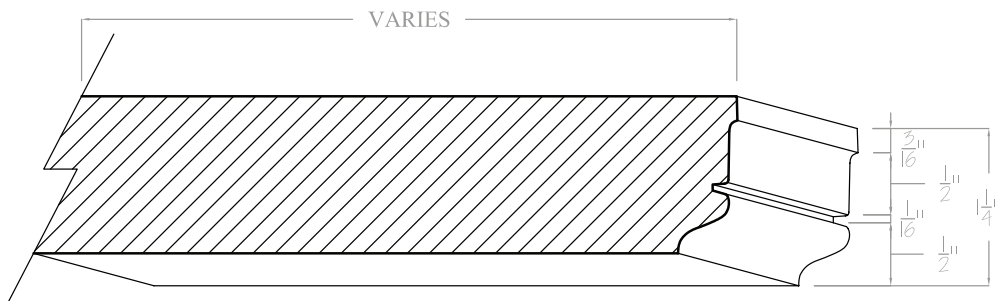
CROWN MOLDING



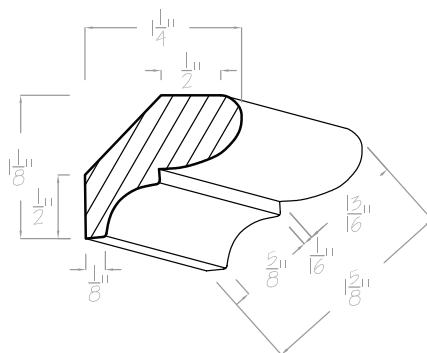
C-3113



C-3114

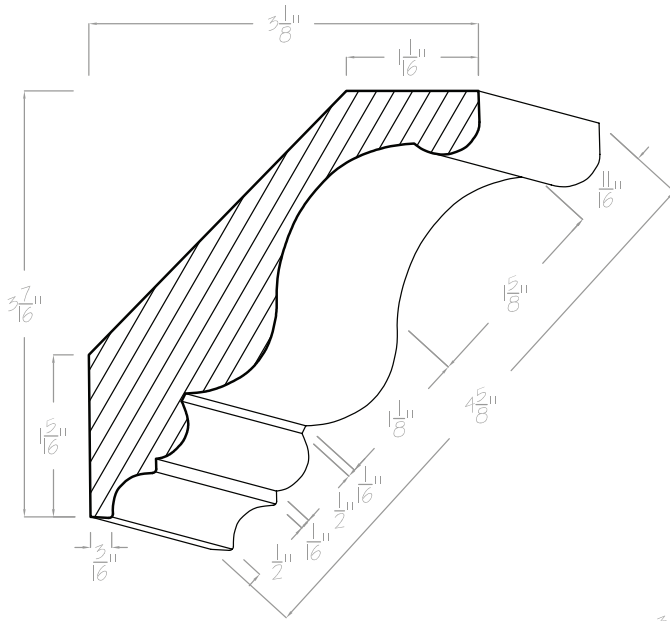


C-3115

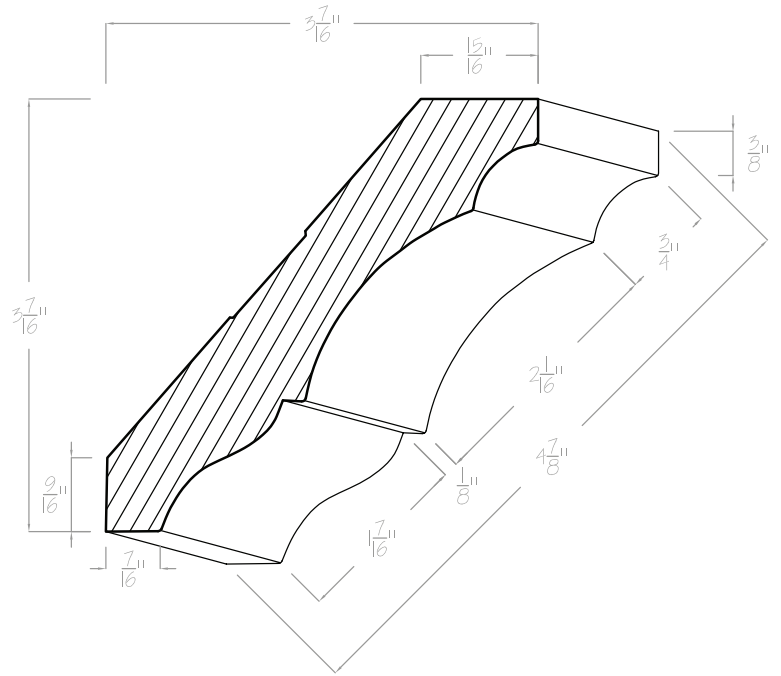


C-3116

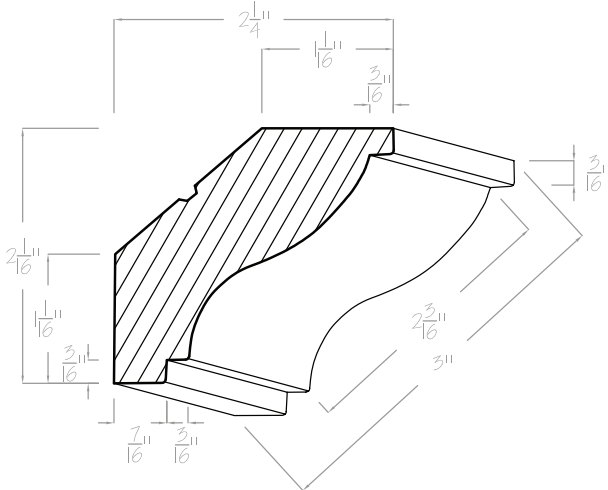
CROWN MOLDING



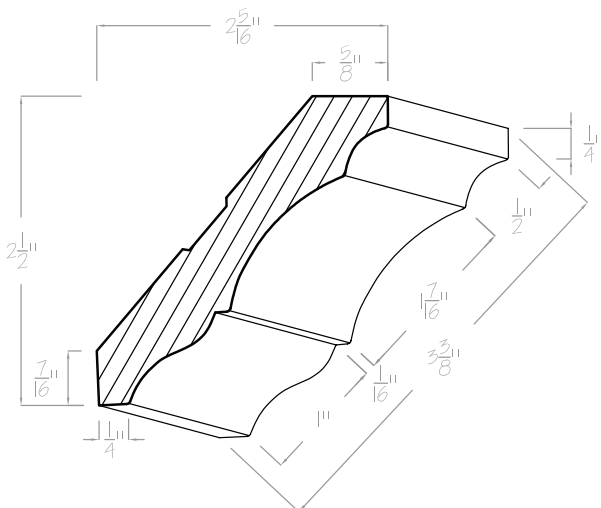
C-3117



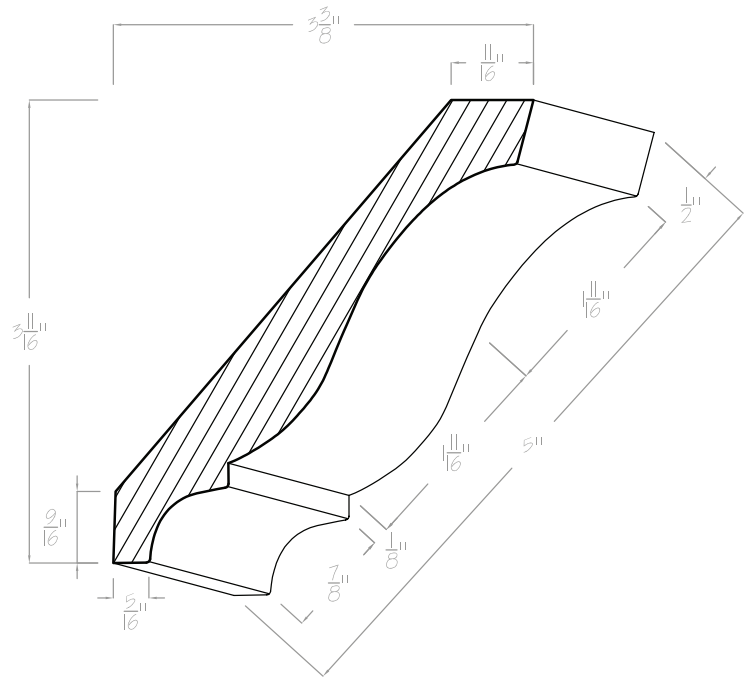
C-3119A



C-3118

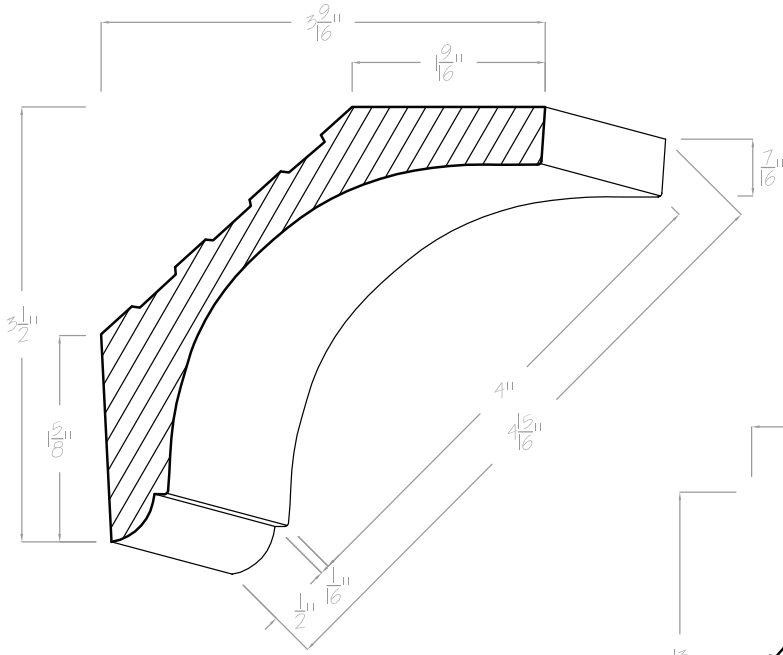


C-3119

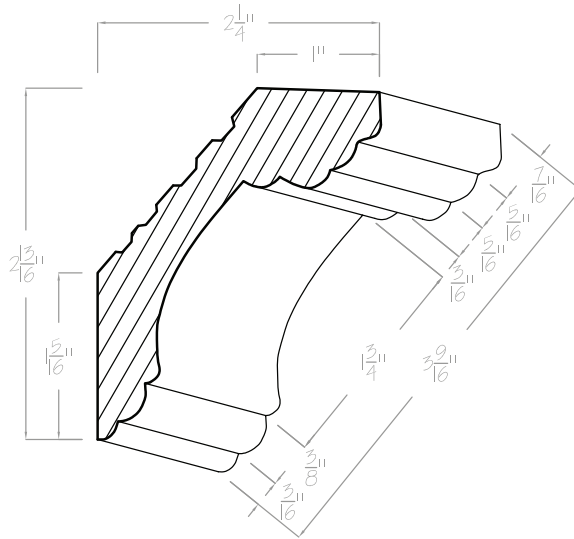


C-3120

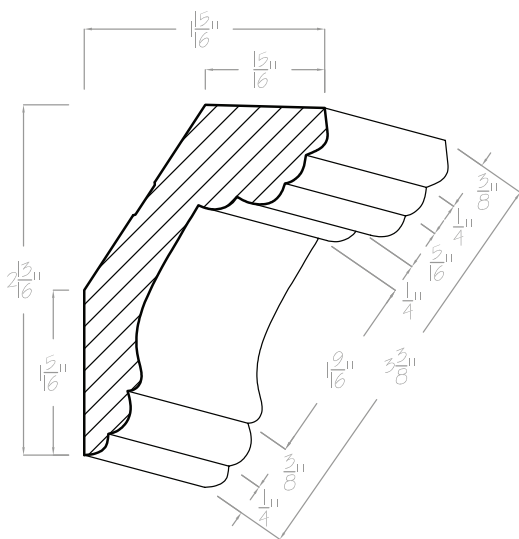
CROWN MOLDING



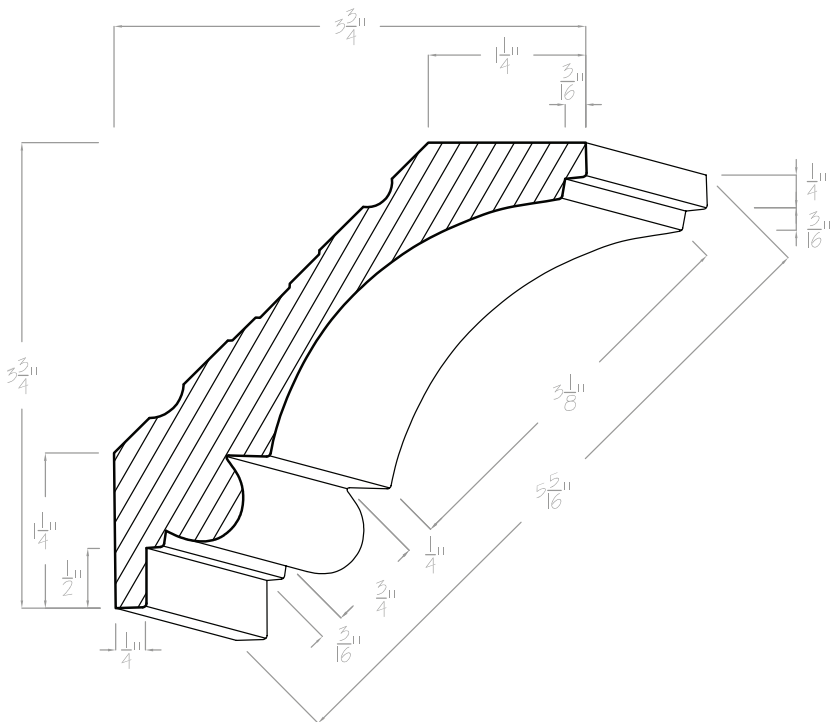
C-3121



C-3122A

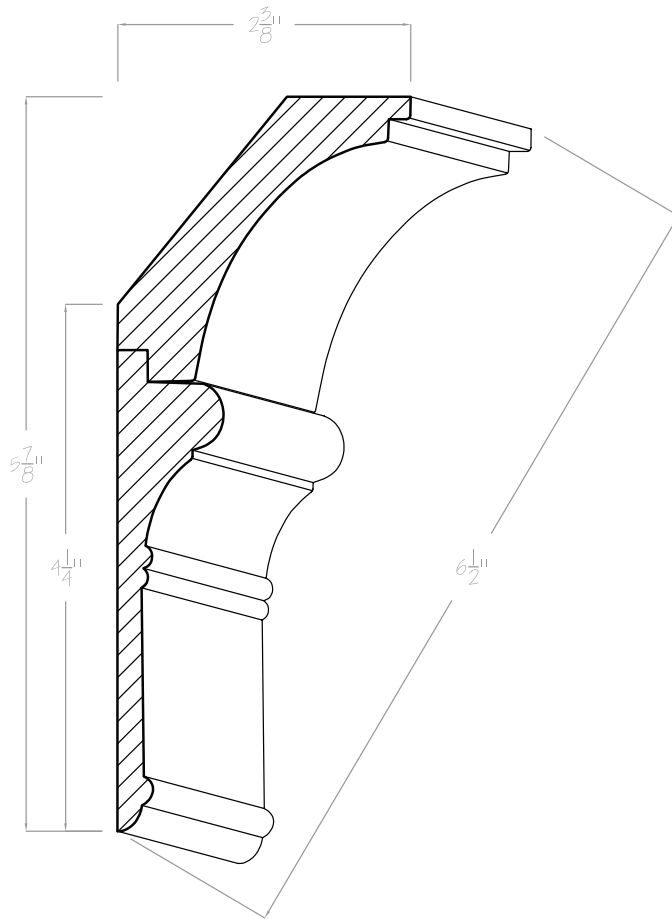


C-3122

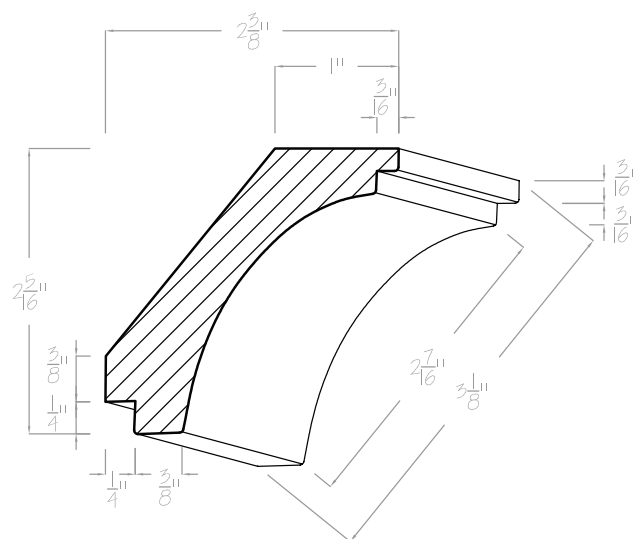


C-3123

CROWN MOLDING

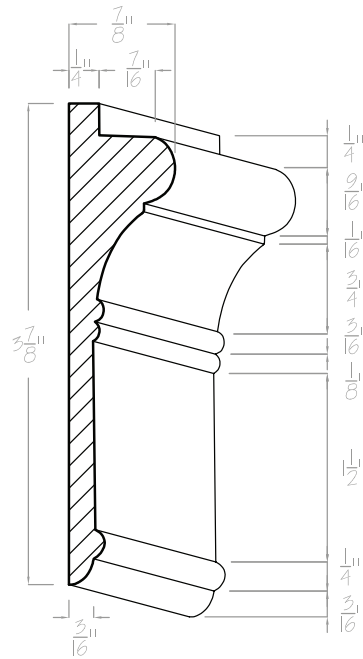


**C-3126 - C-3126B
COMBO**

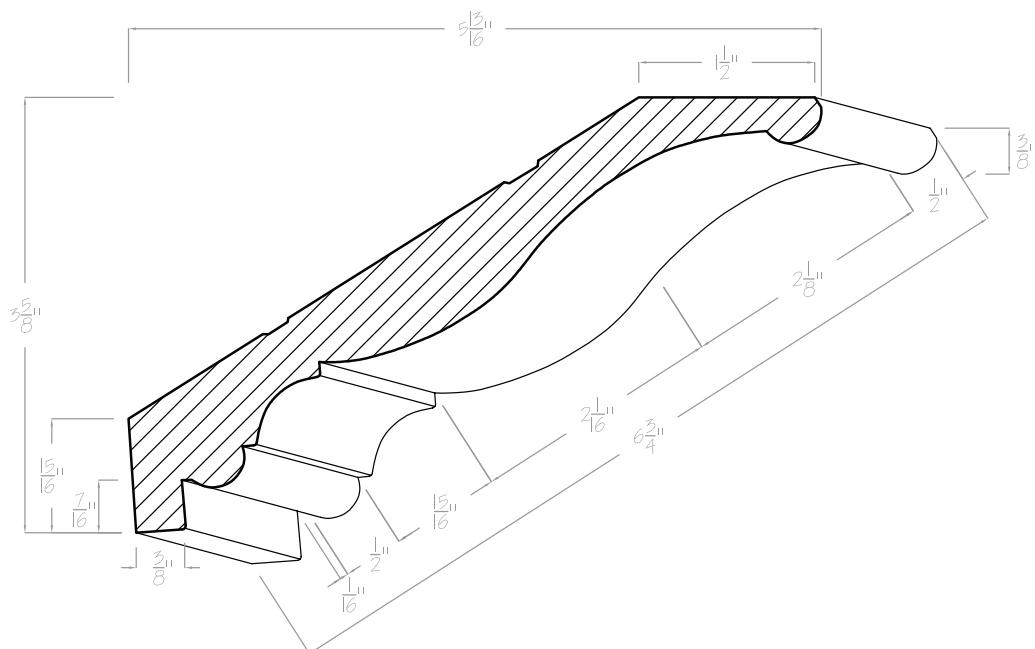


C-3126

CROWN MOLDING

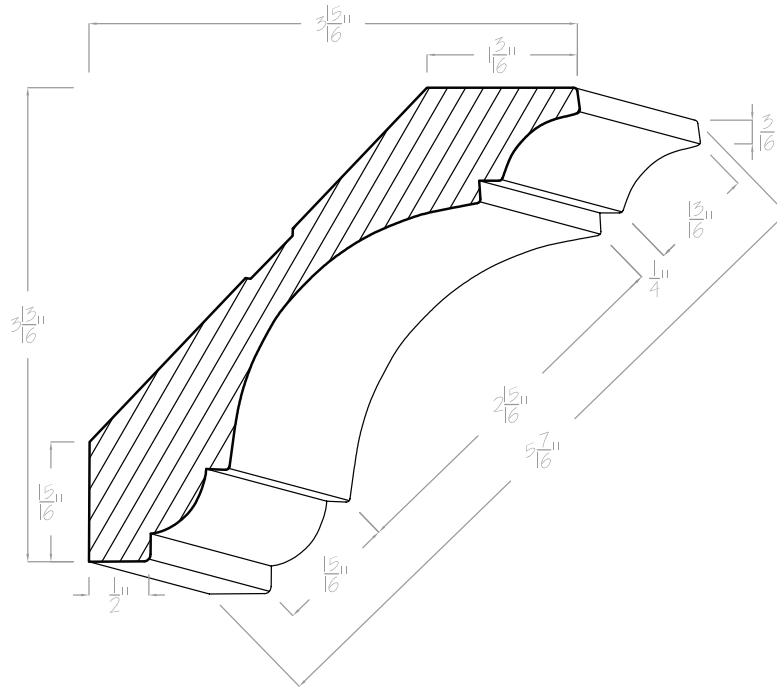


C-3126B

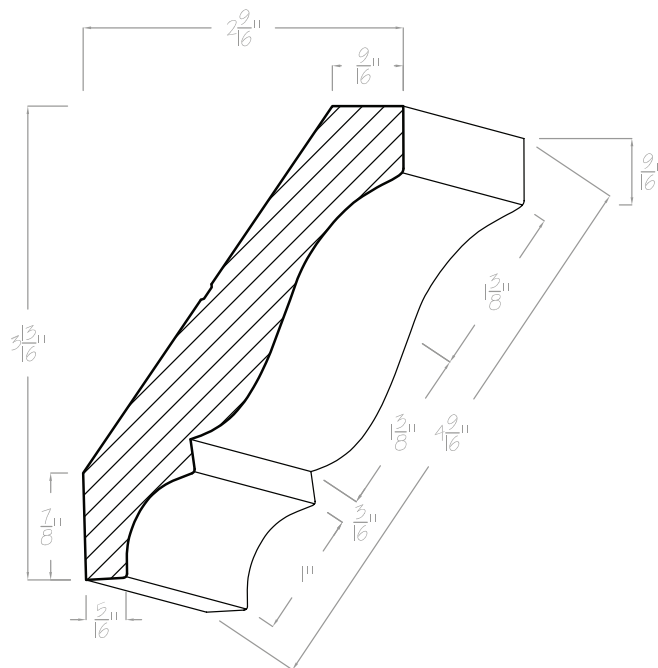


C-3128

CROWN MOLDING

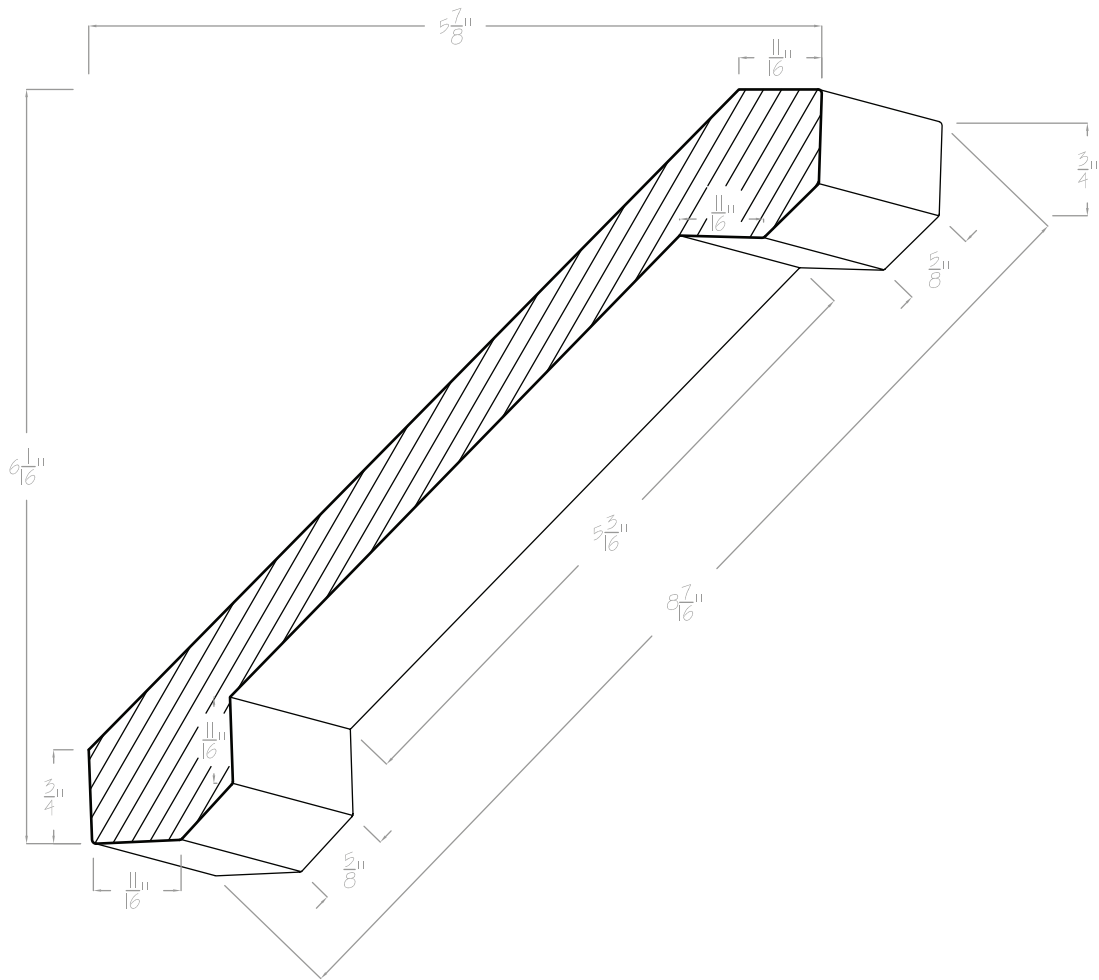


C-3134A

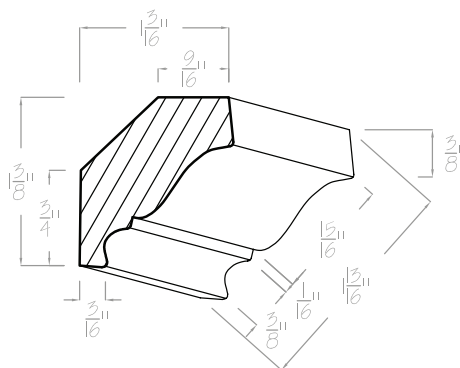


C-3135

CROWN MOLDING

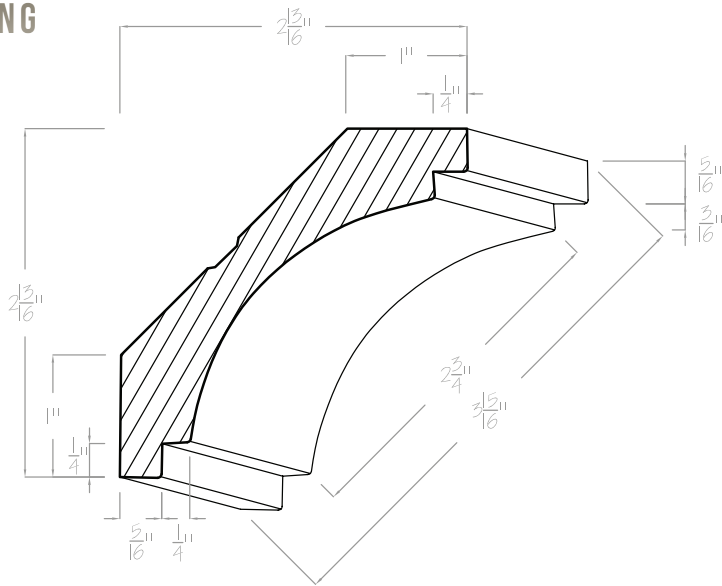


C-3138

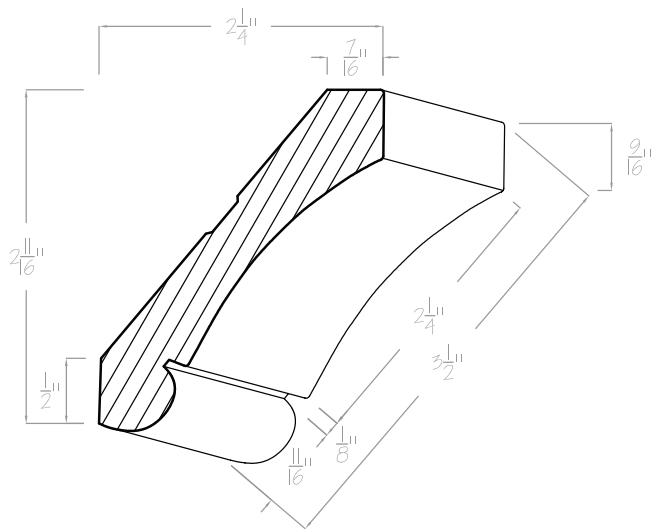


C-3139

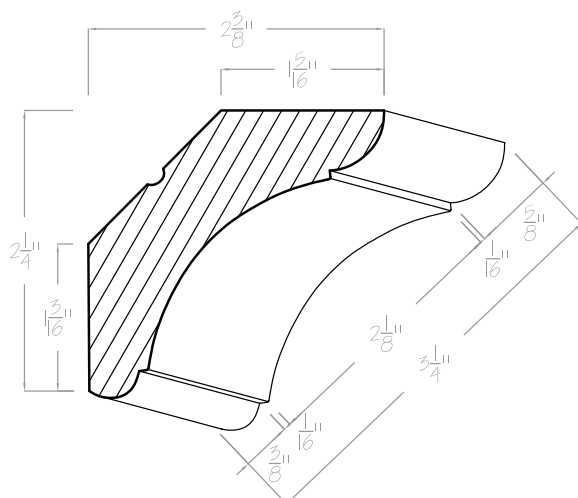
CROWN MOLDING



C-3142

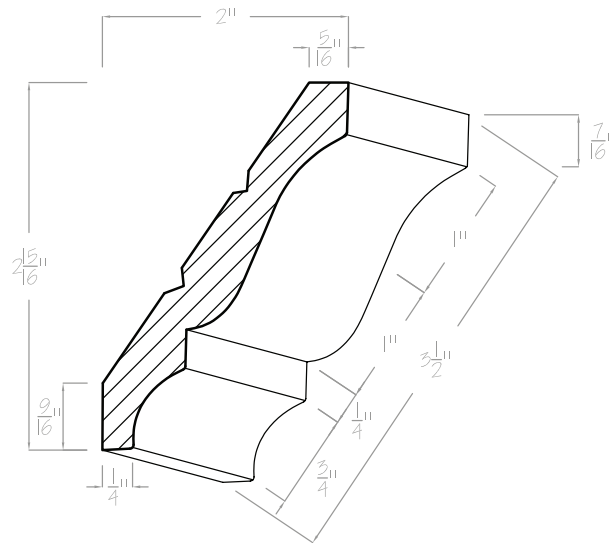


C-3144

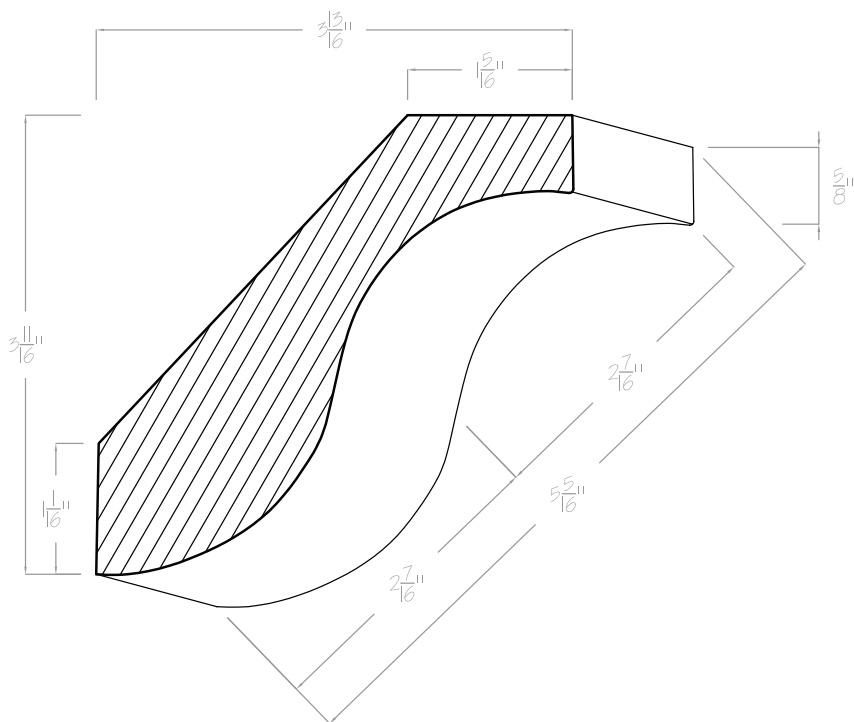


C-3145

CROWN MOLDING

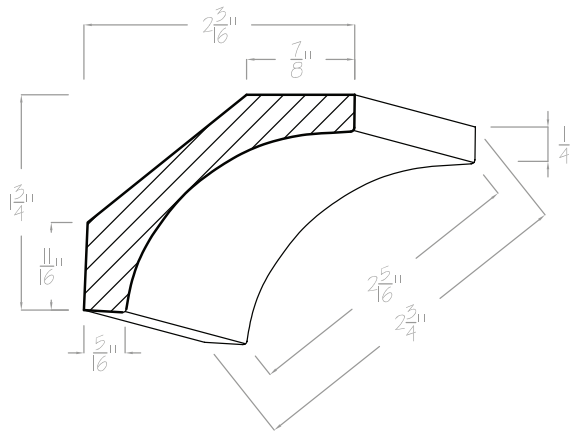


C-3153

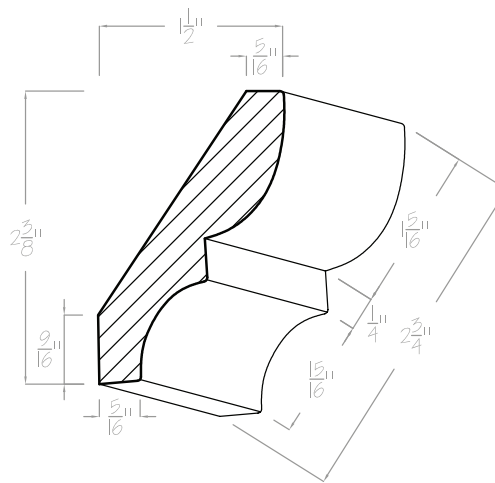


C-3154

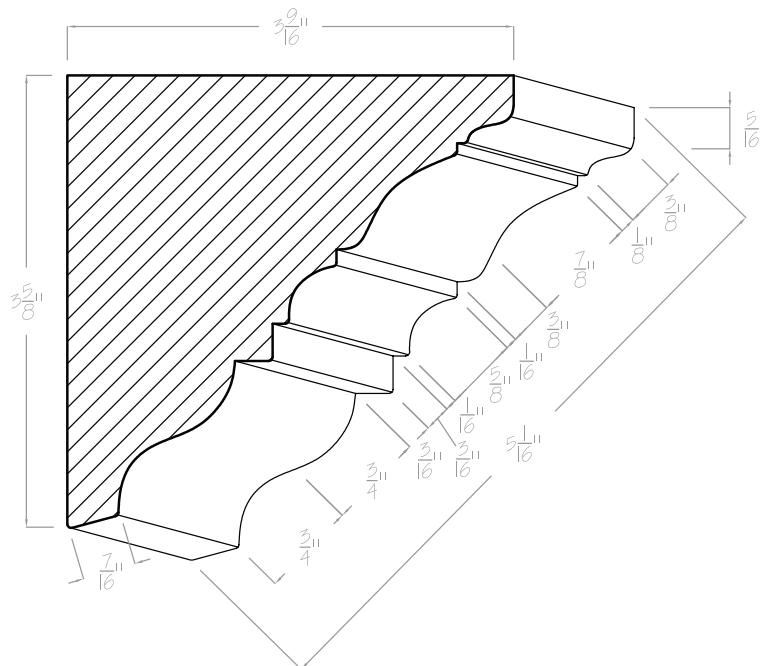
CROWN MOLDING



C-3155

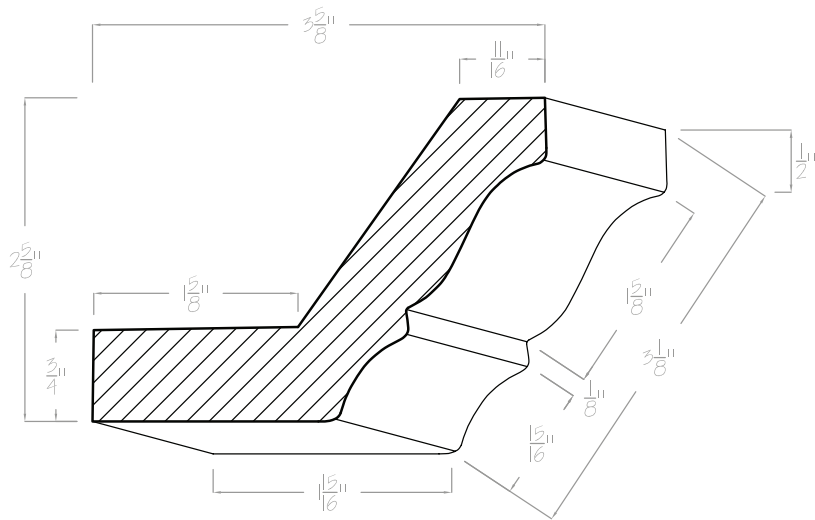


C-3156

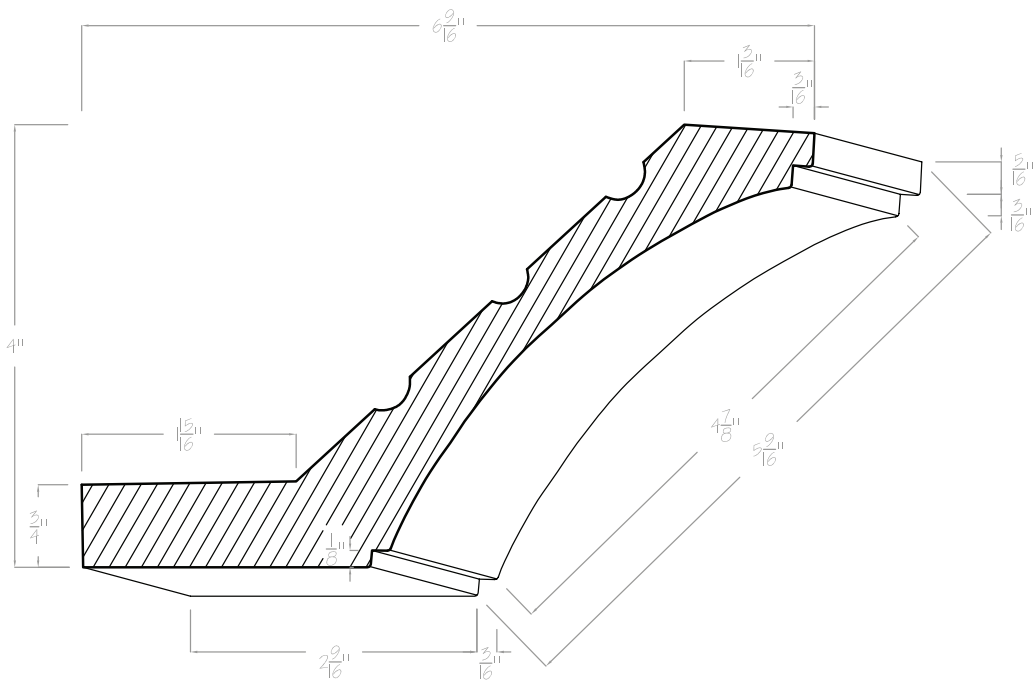


C-3157

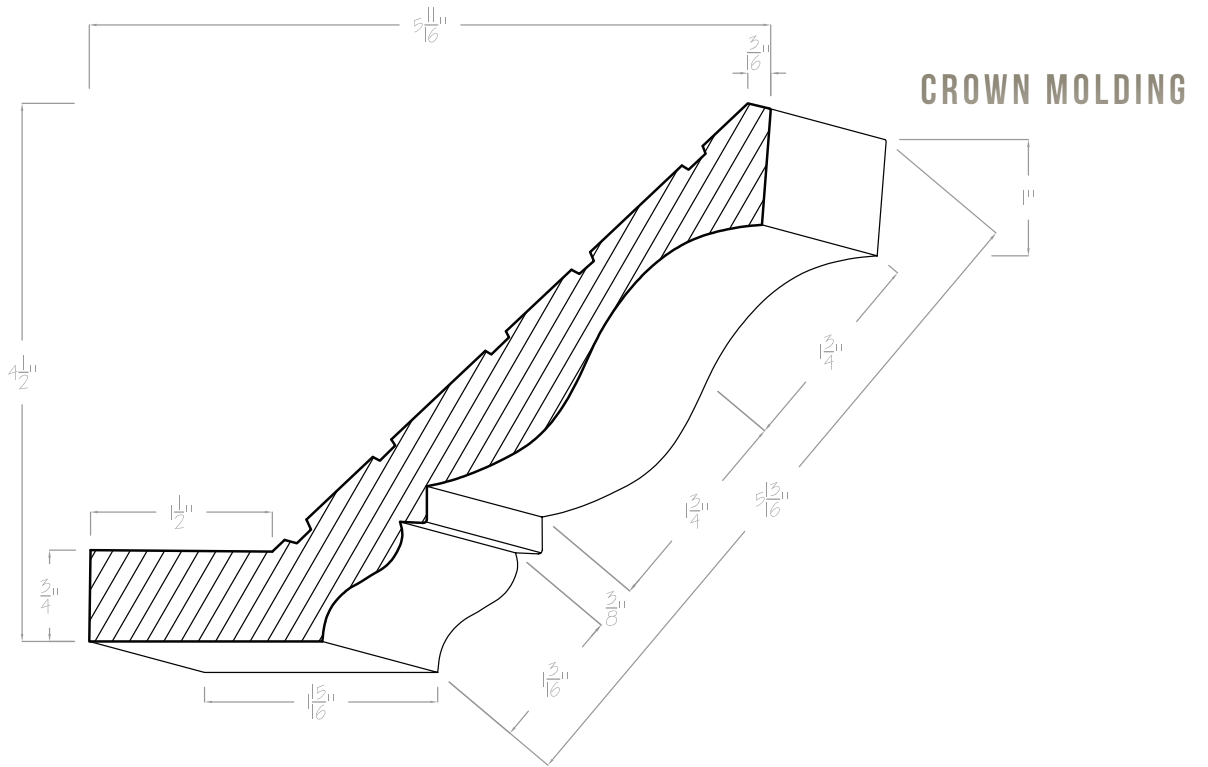
CROWN MOLDING



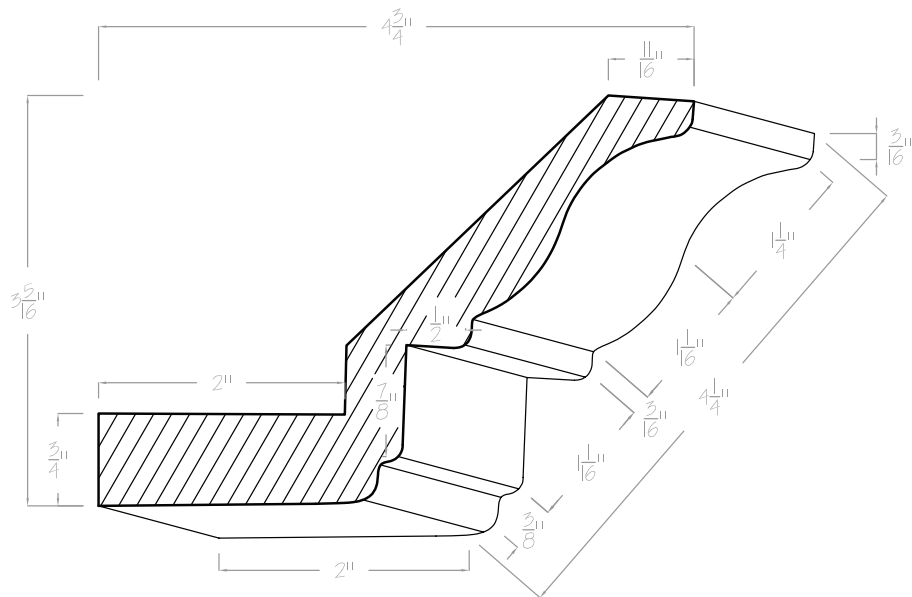
C-3451



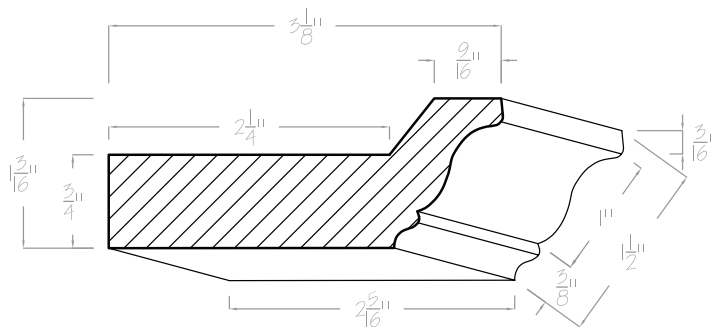
C-3452



C-3453

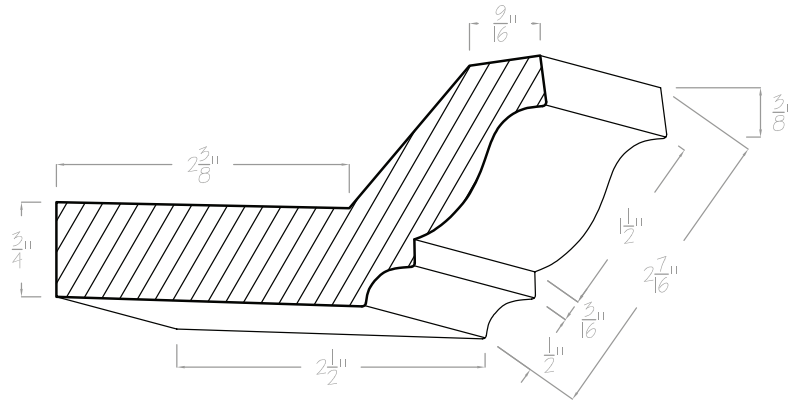


C-3491

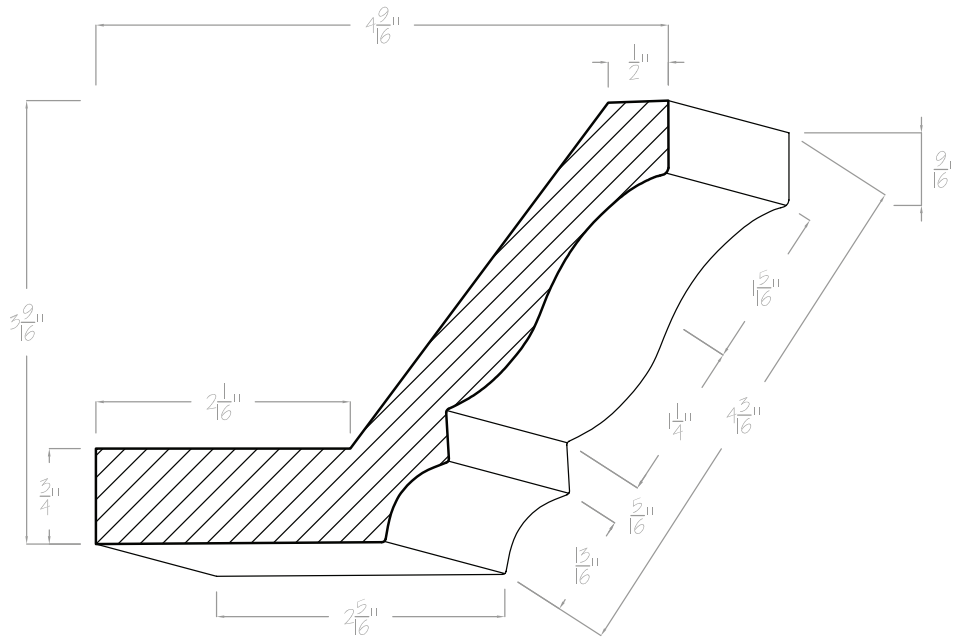


C-3501

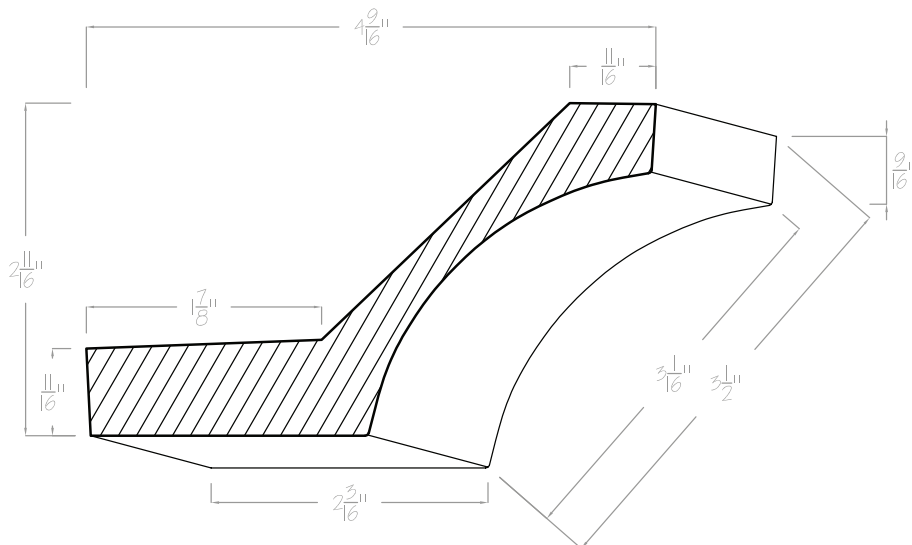
CROWN MOLDING



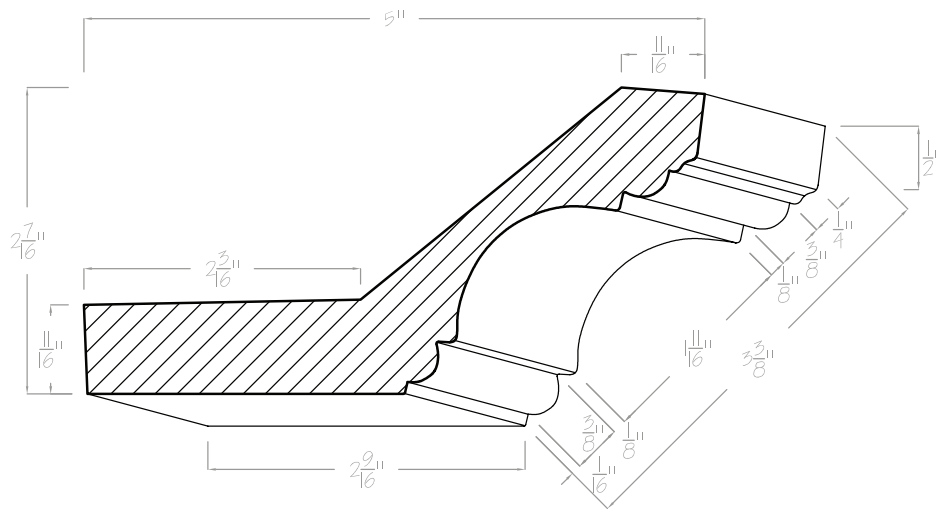
C-3511



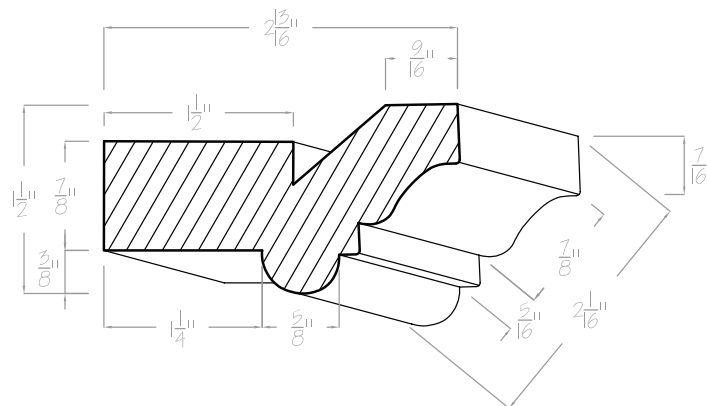
S-3521



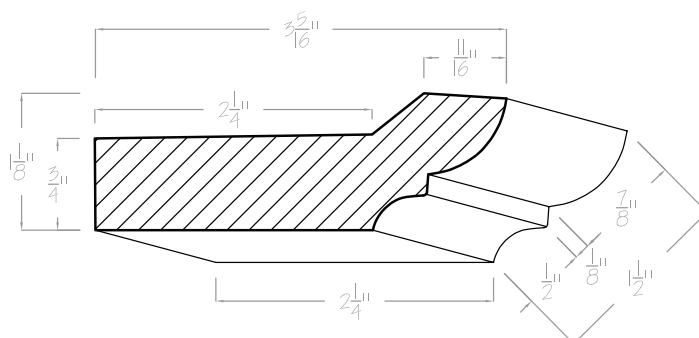
C-3531



C-3541

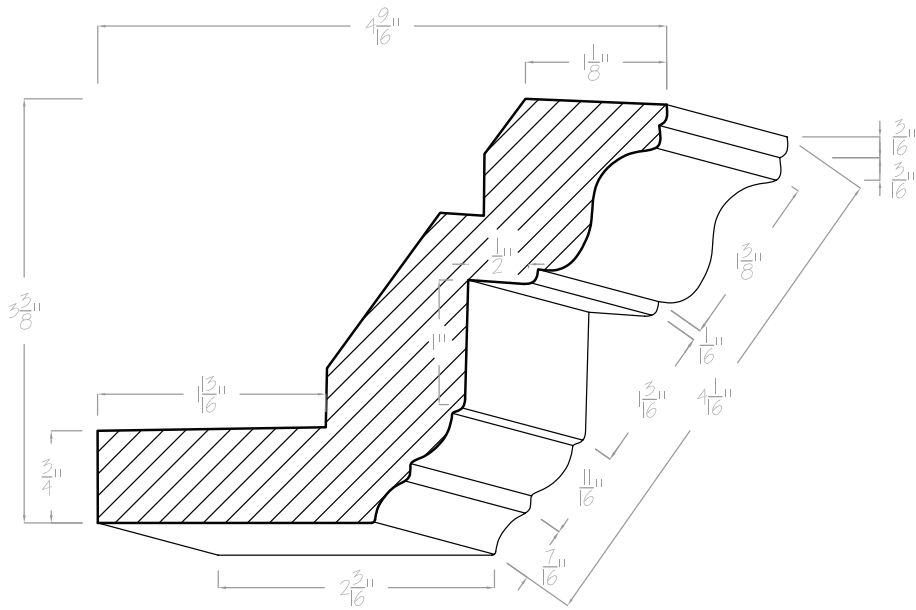


C-3544

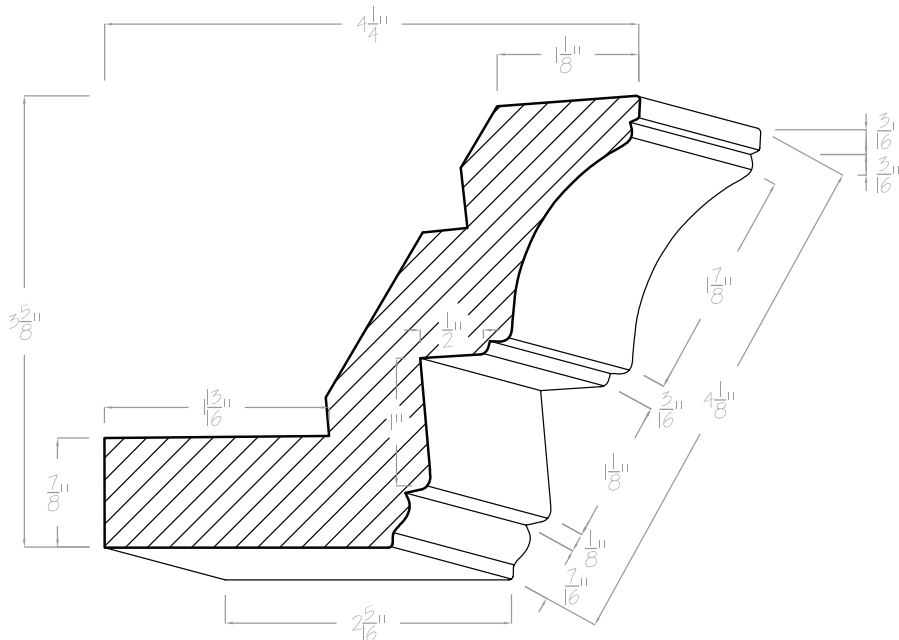


C-3551

CROWN MOLDING

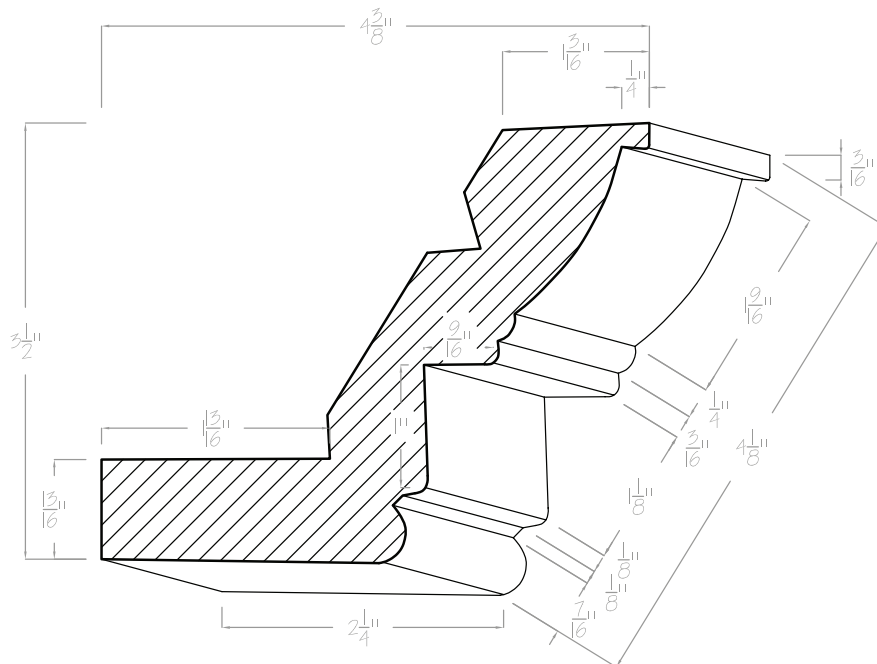


C-3561

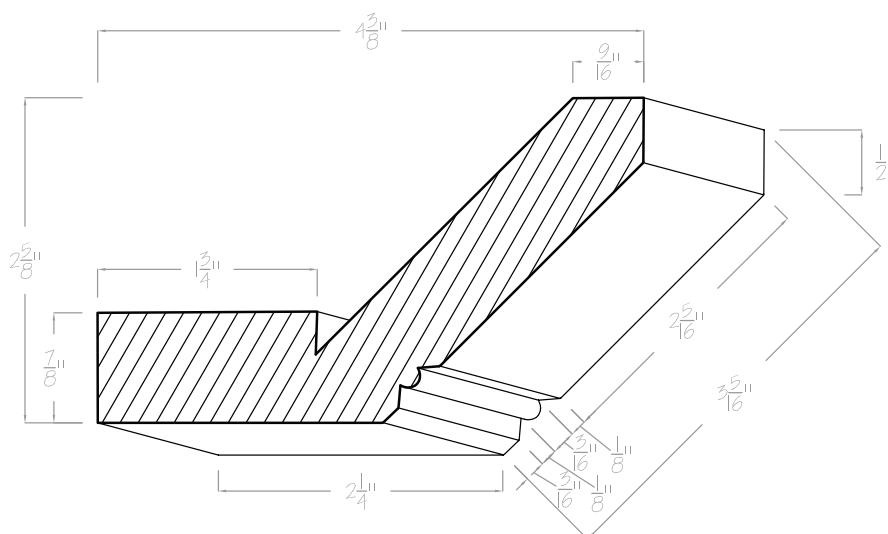


C-3571

CROWN MOLDING

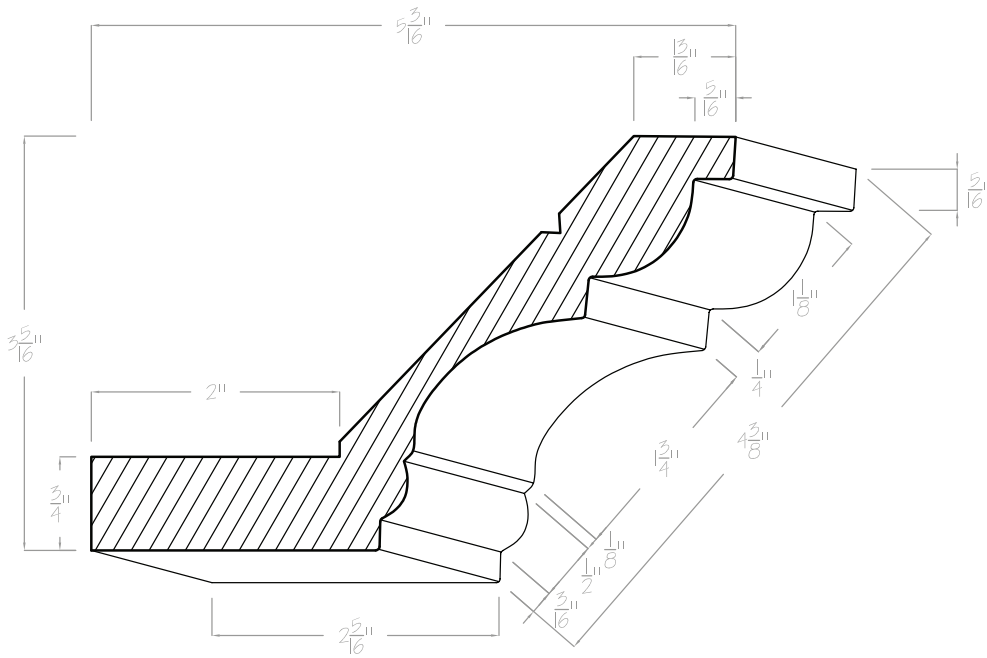


C-3581

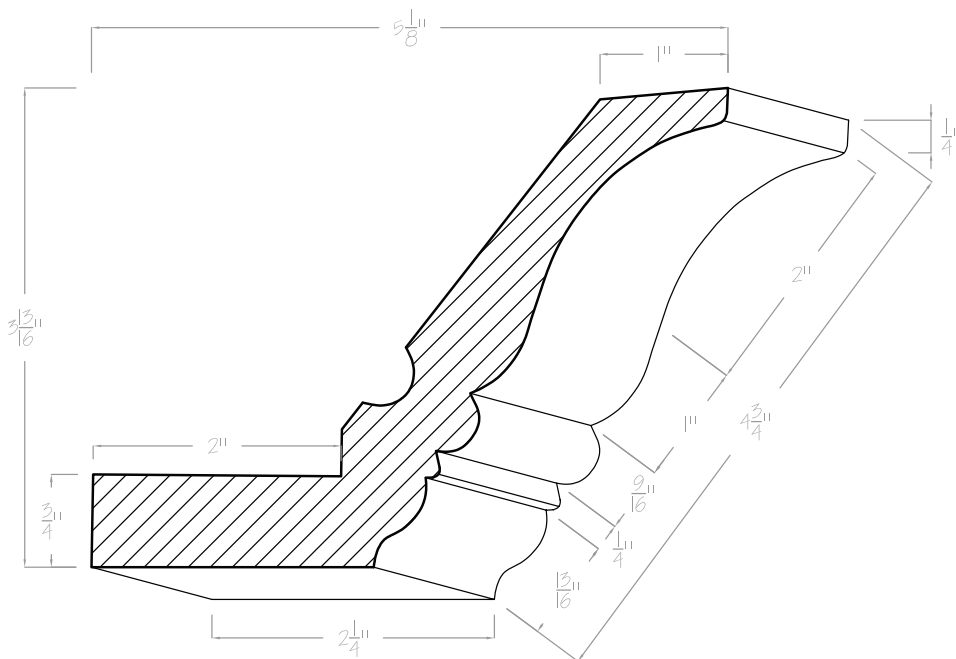


C-3600

CROWN MOLDING

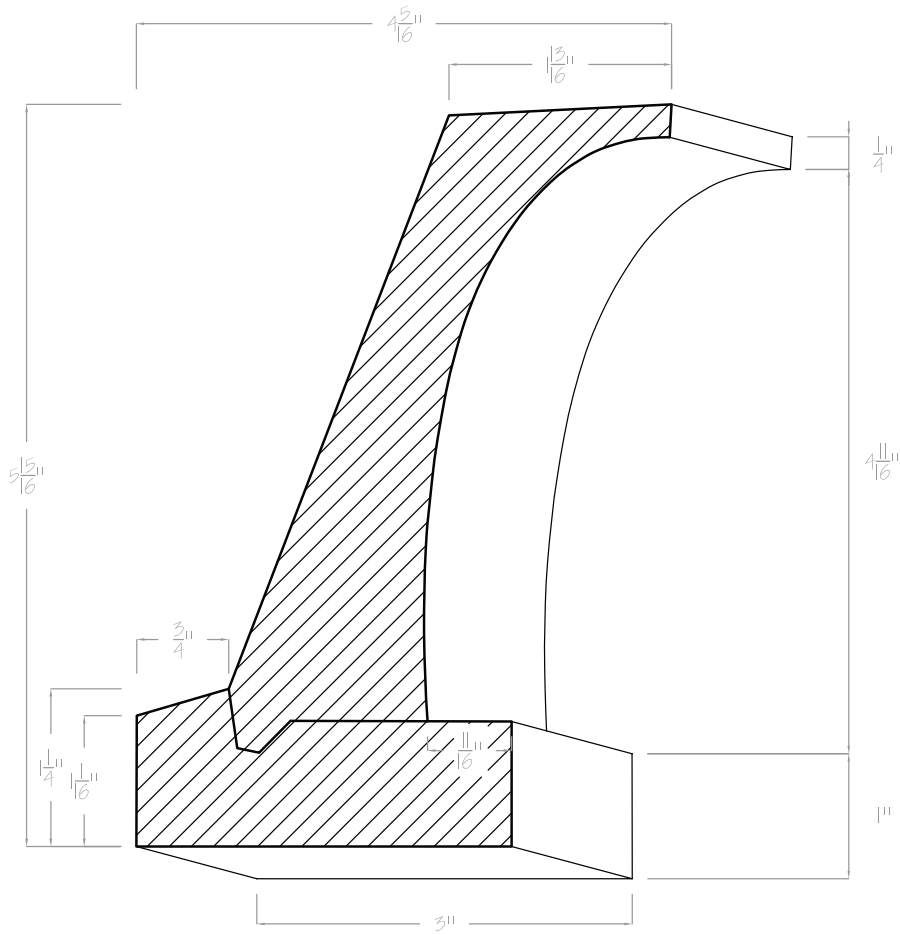


C-3611

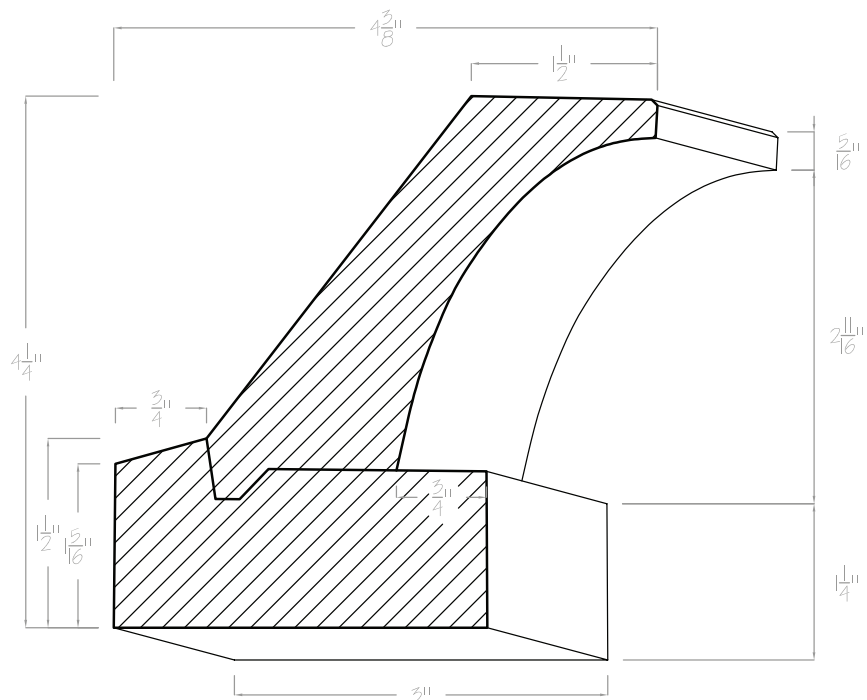


C-3612

CROWN MOLDING



C-3613



C-3614

