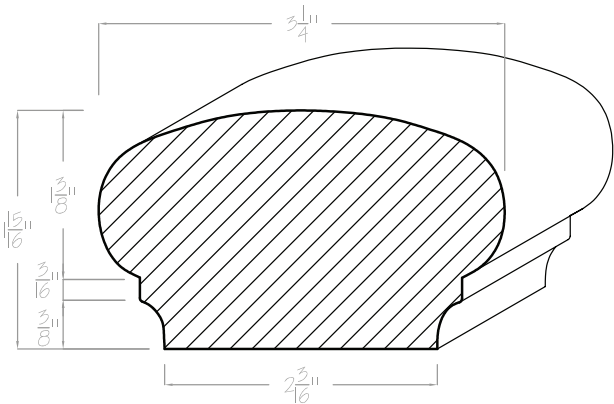
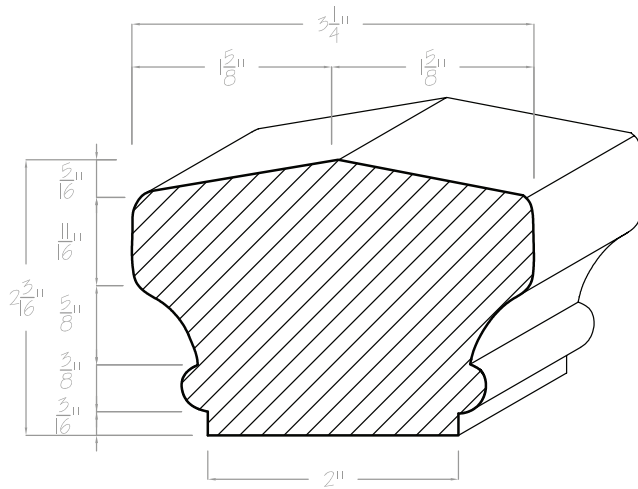


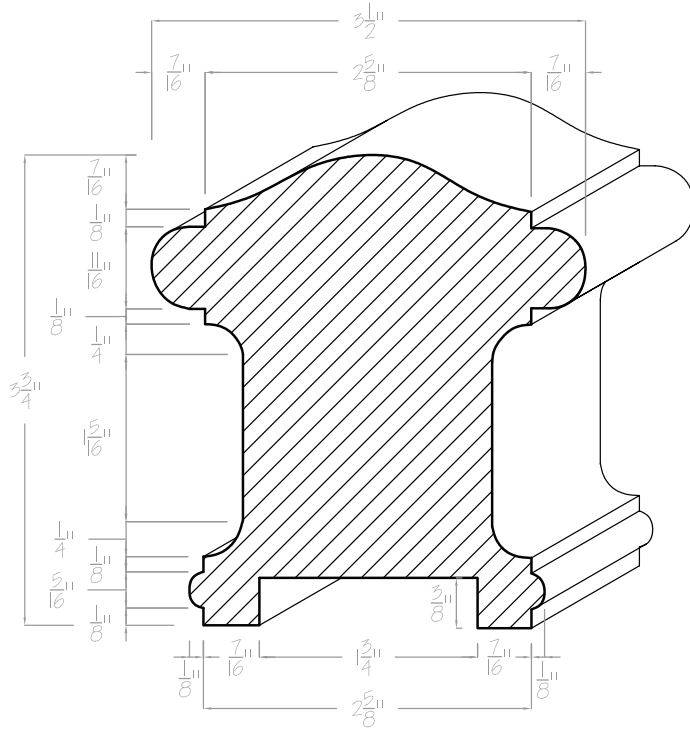
C-802



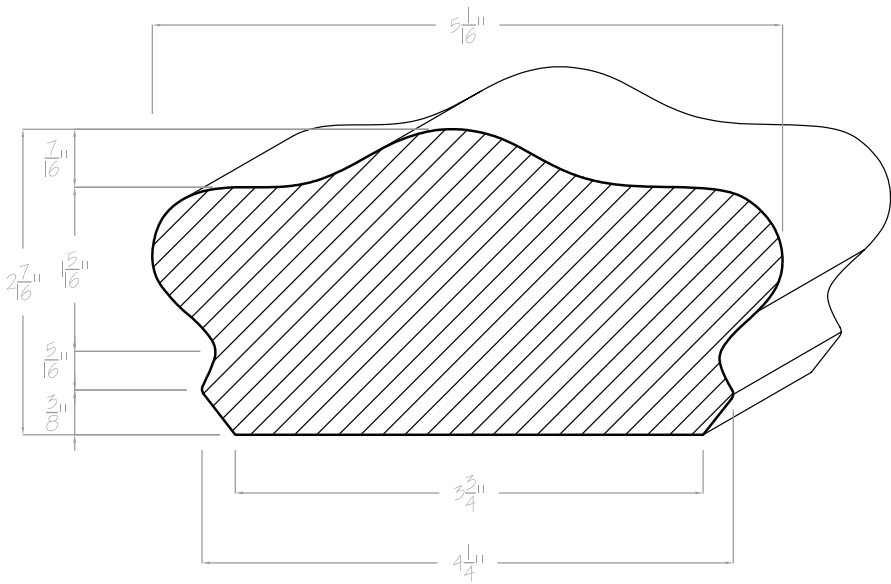
C-803



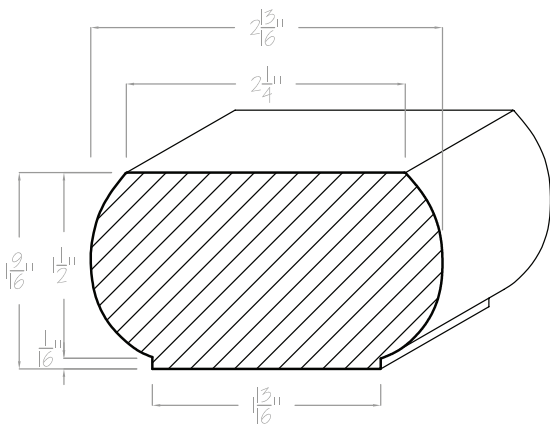
C-804



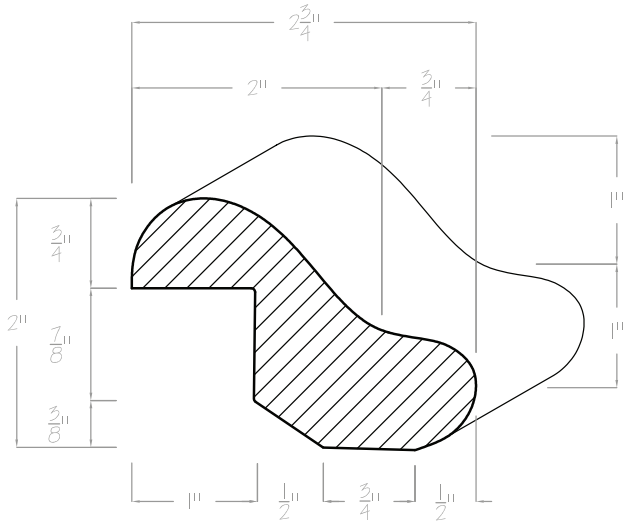
C-805



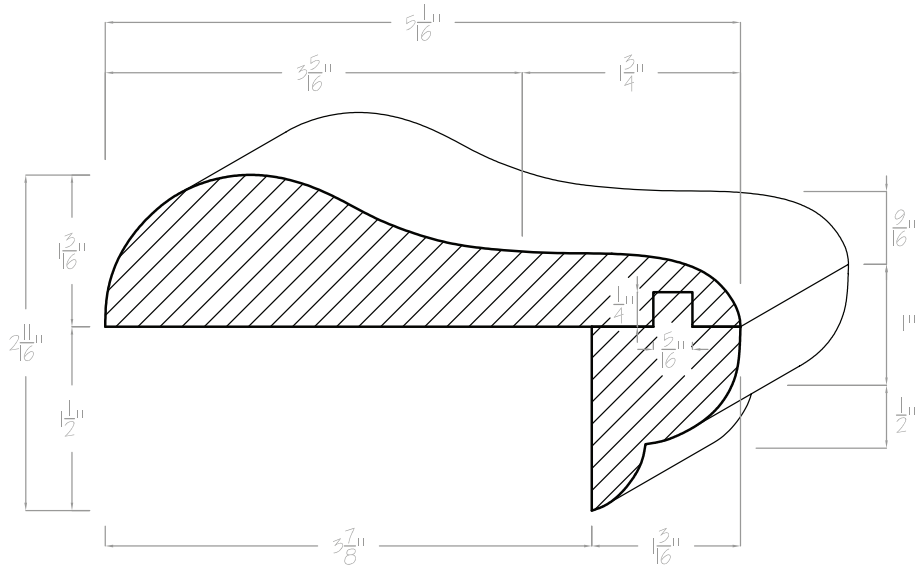
C-811



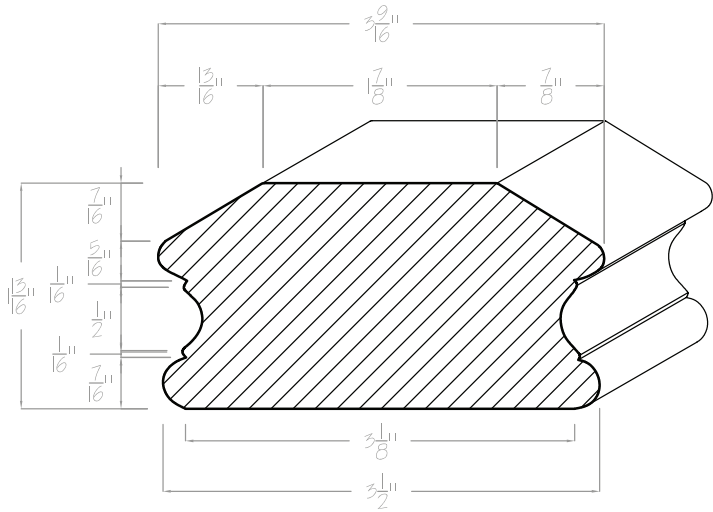
C-812



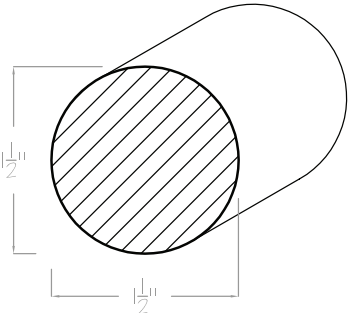
C-814
BAR RAIL



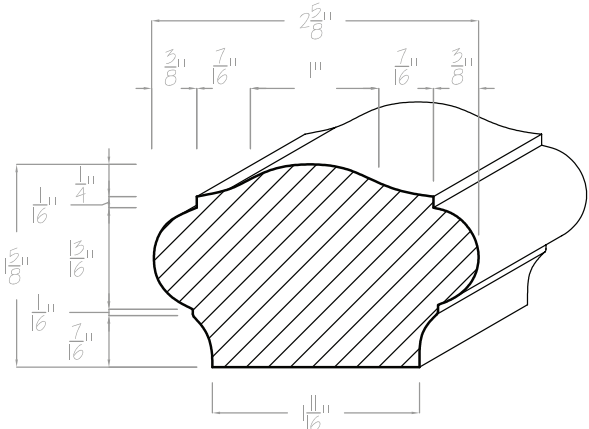
C-820
TWO-PART HANDRAIL SYSTEM



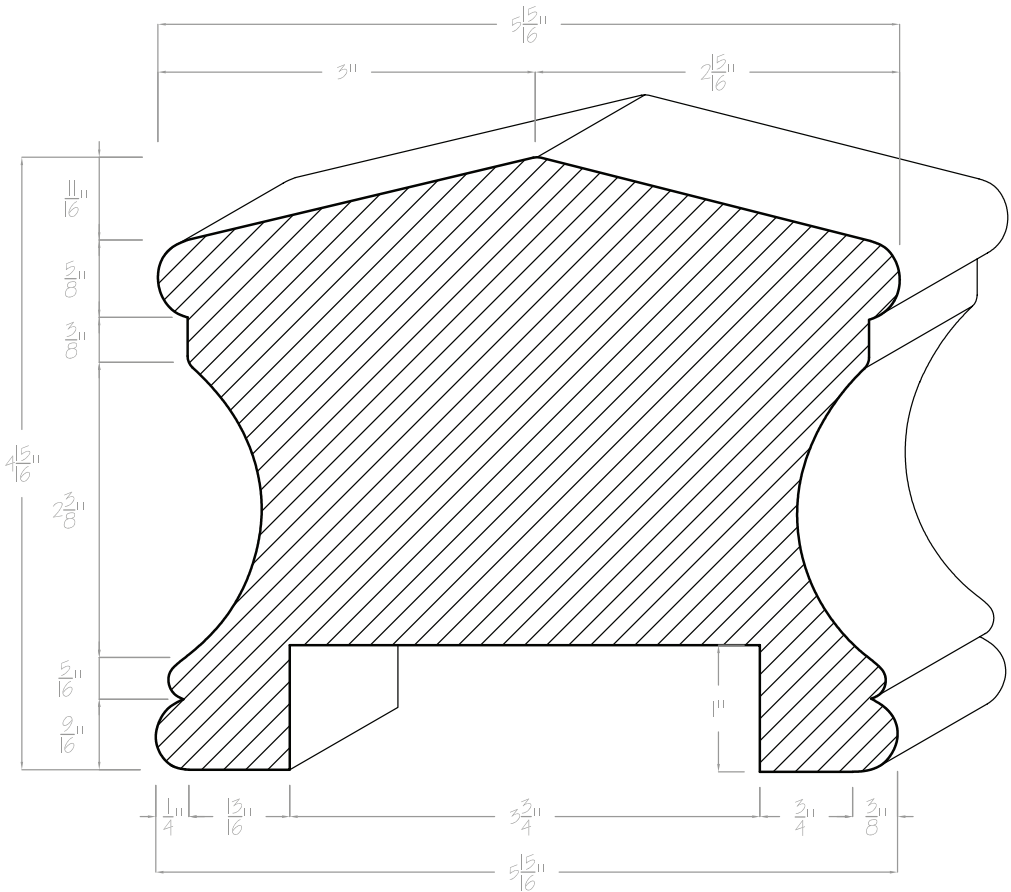
C-824



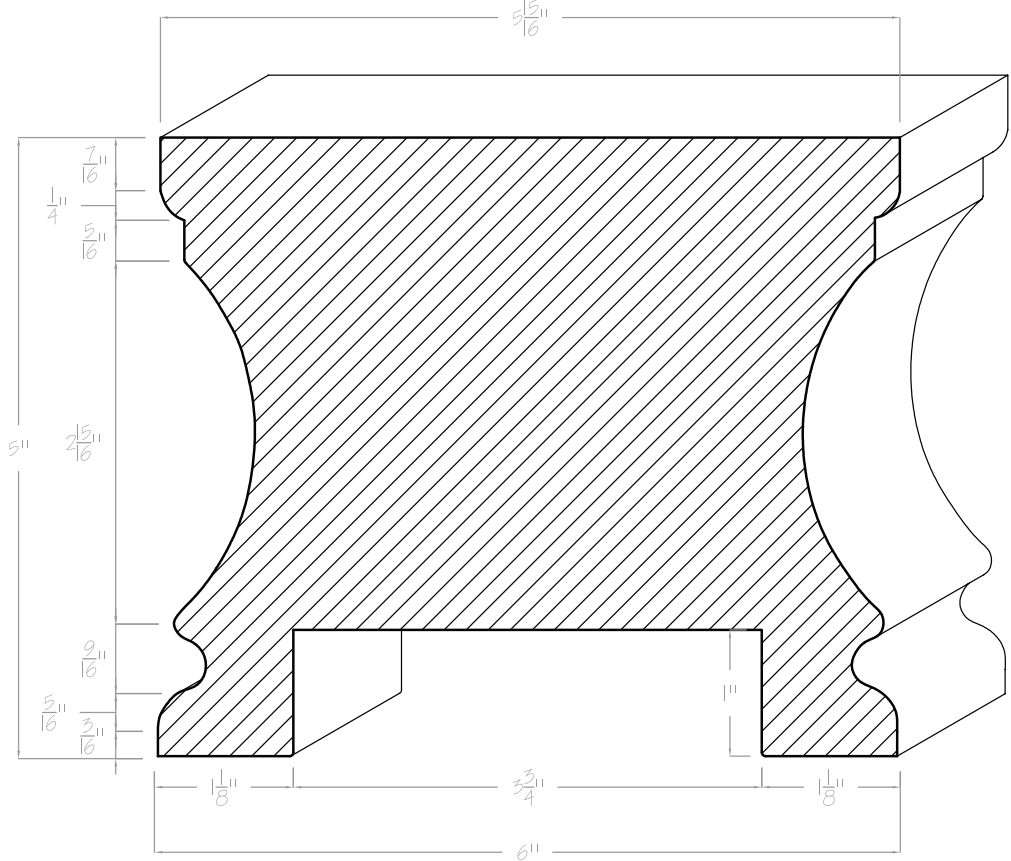
C-823



C-826



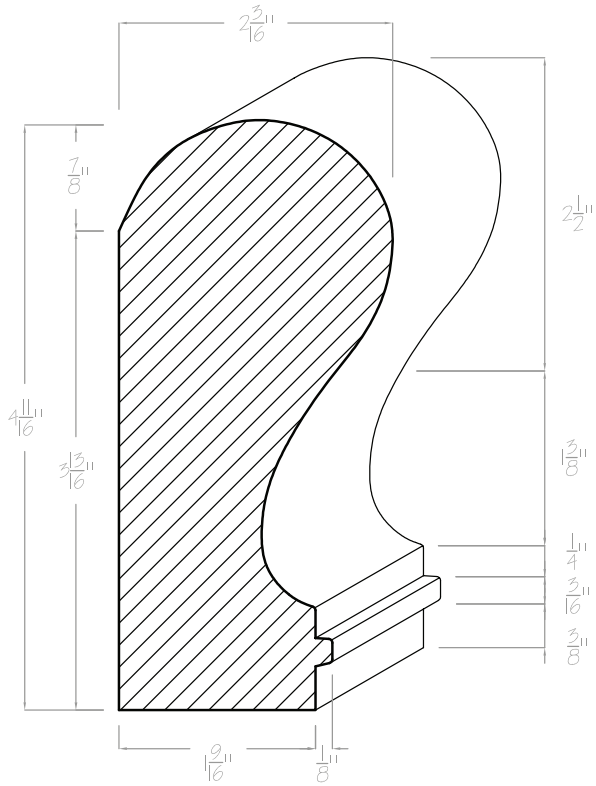
C-830



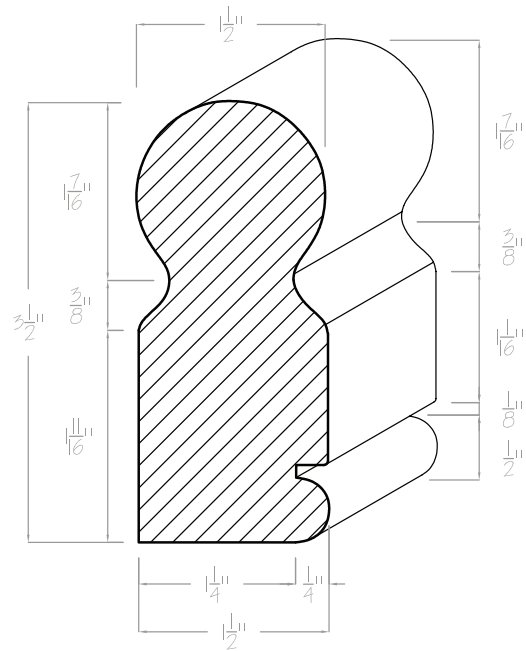
C-831

SUB RAIL

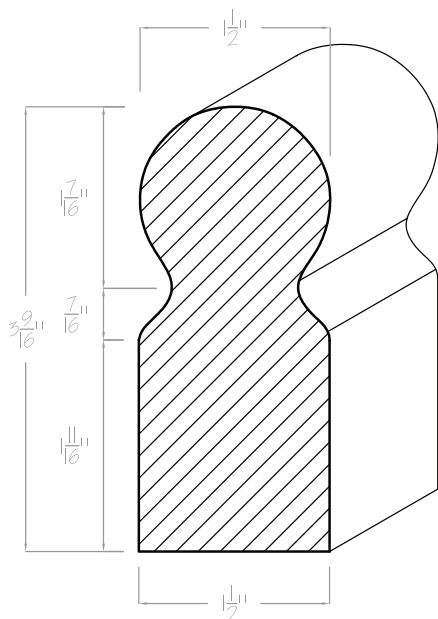
HANDRAIL



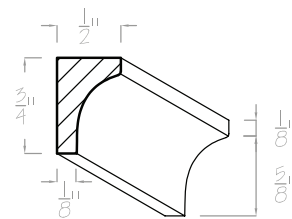
C-832



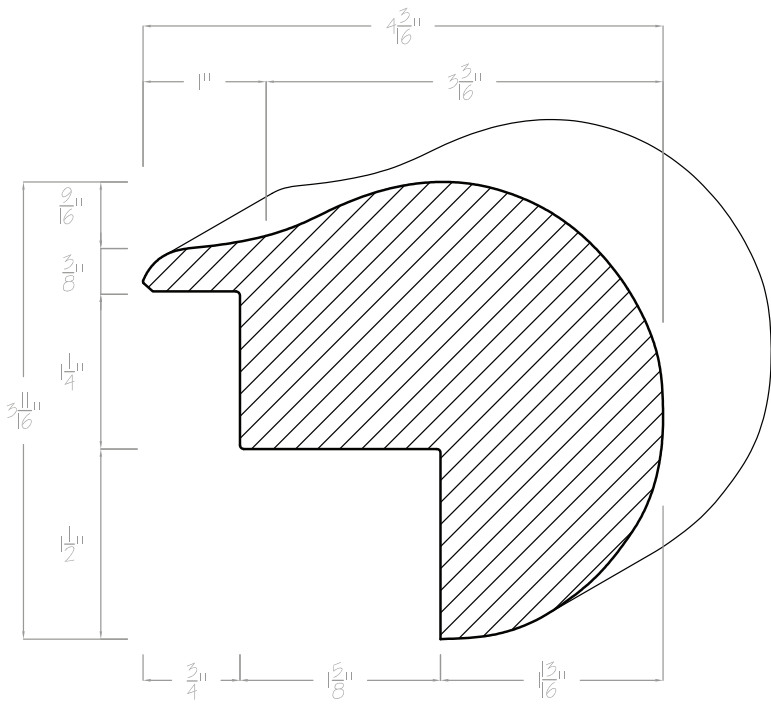
C-833A



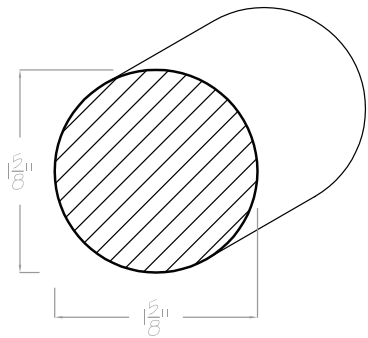
C-833



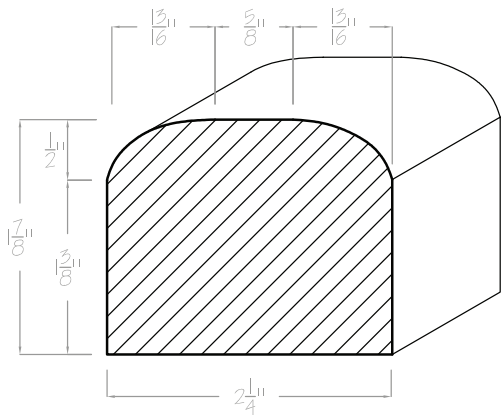
**C-834
SCOTIA**



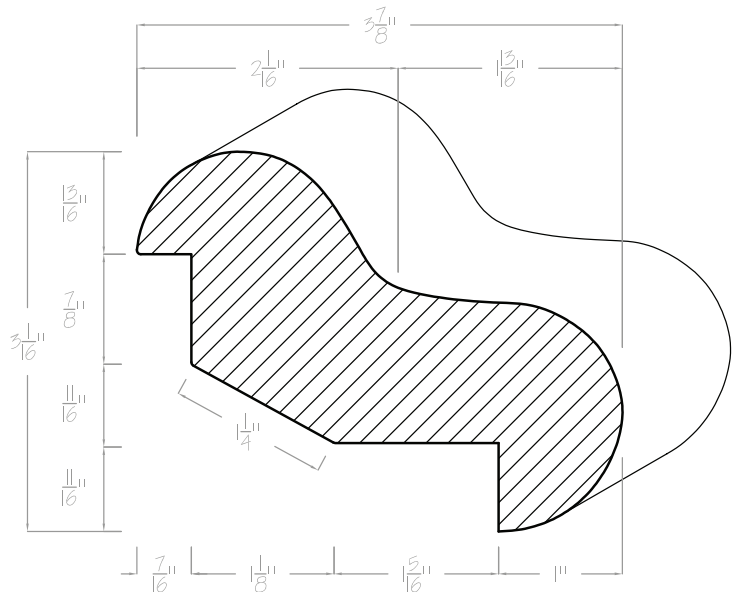
C-835



C-837

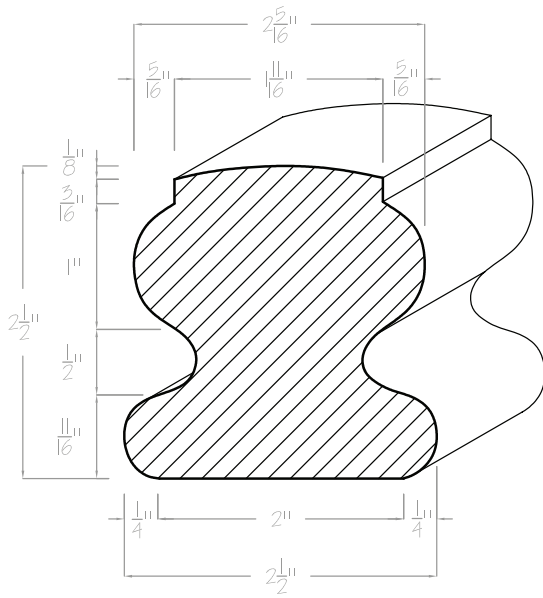


C-836

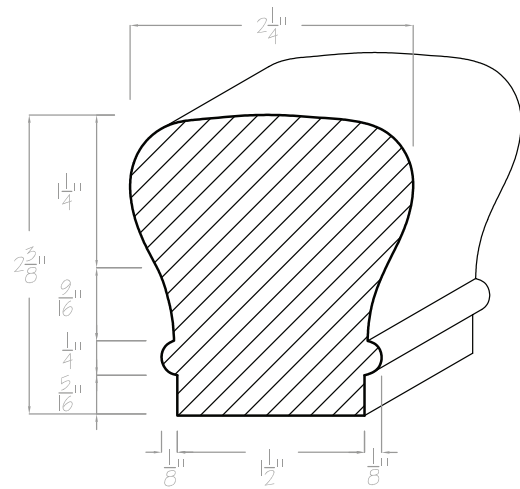


C-838

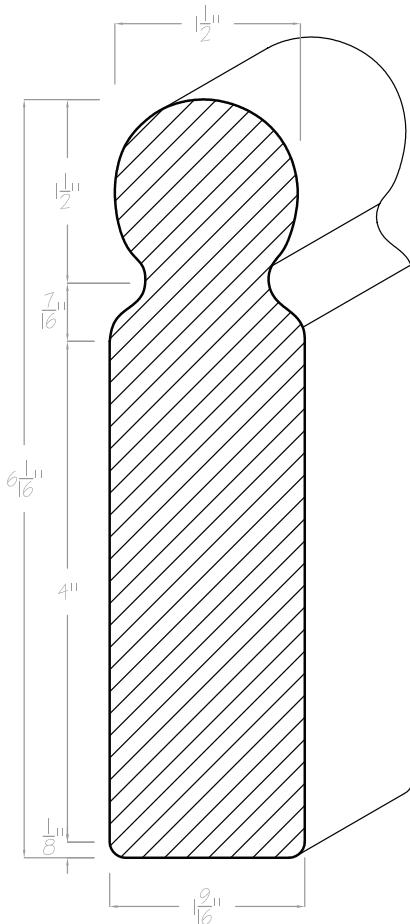
HANDRAIL



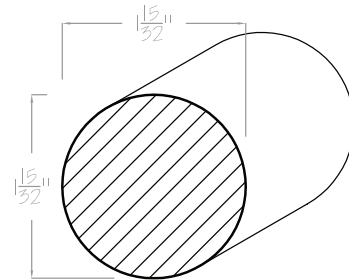
C-839



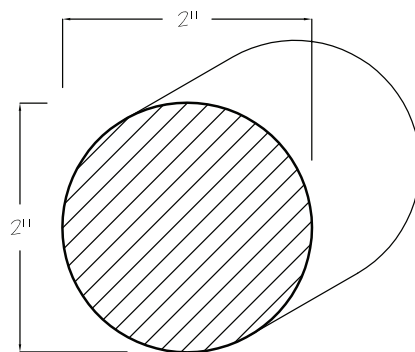
C-840



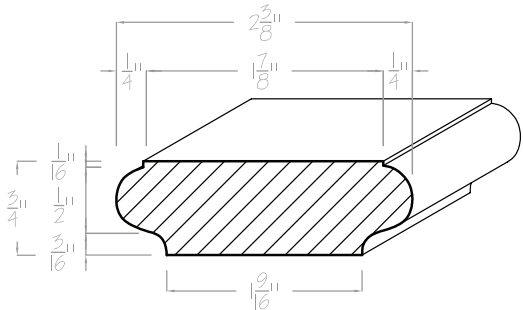
C-841



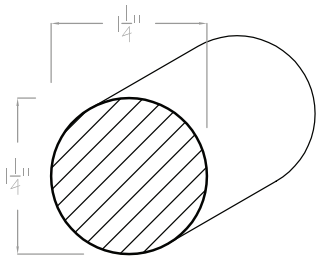
C-842



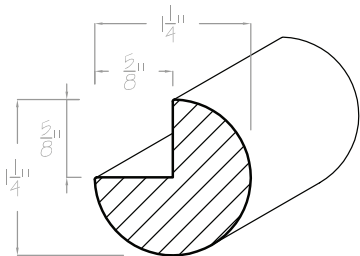
C-843



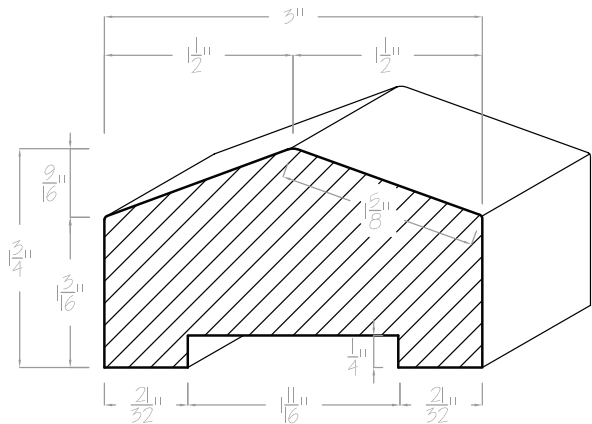
C-844



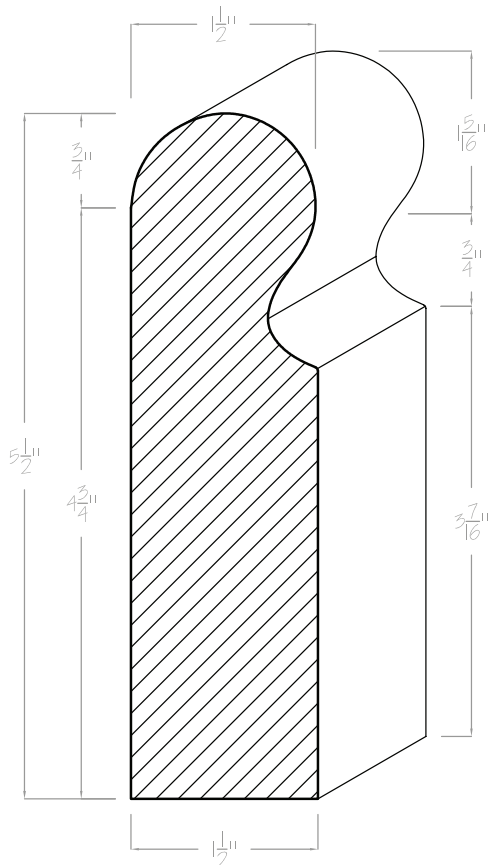
C-845



C-846

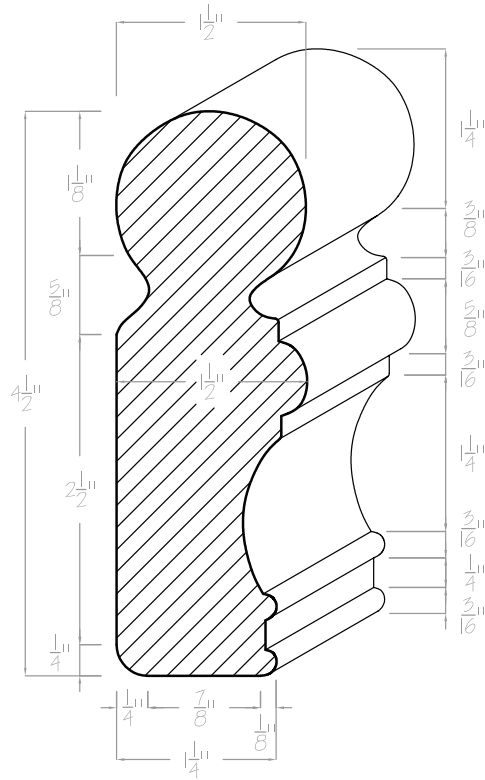


C-847

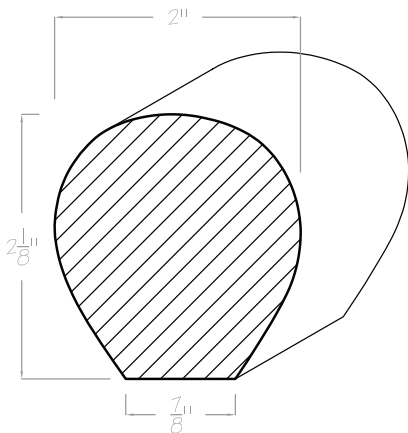


C-848

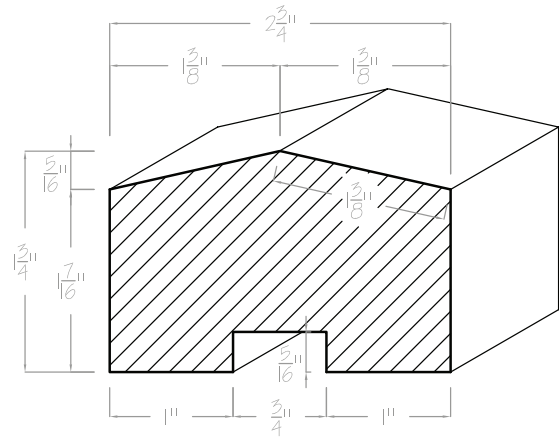
HANDRAIL



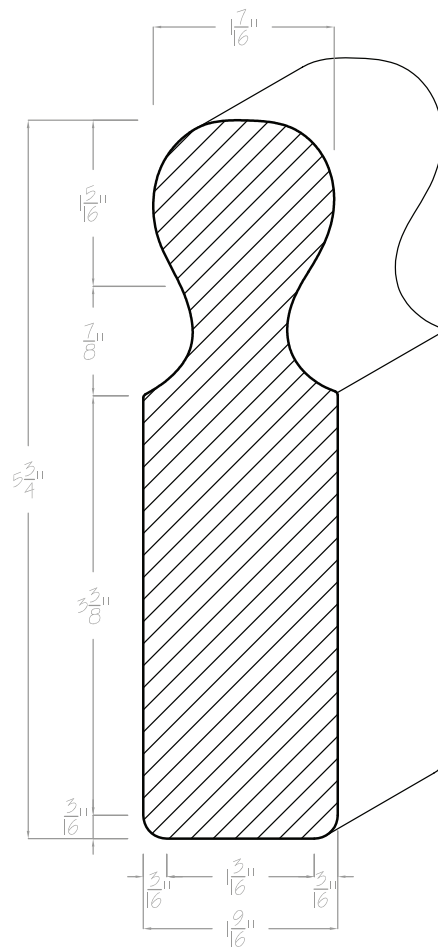
C-851



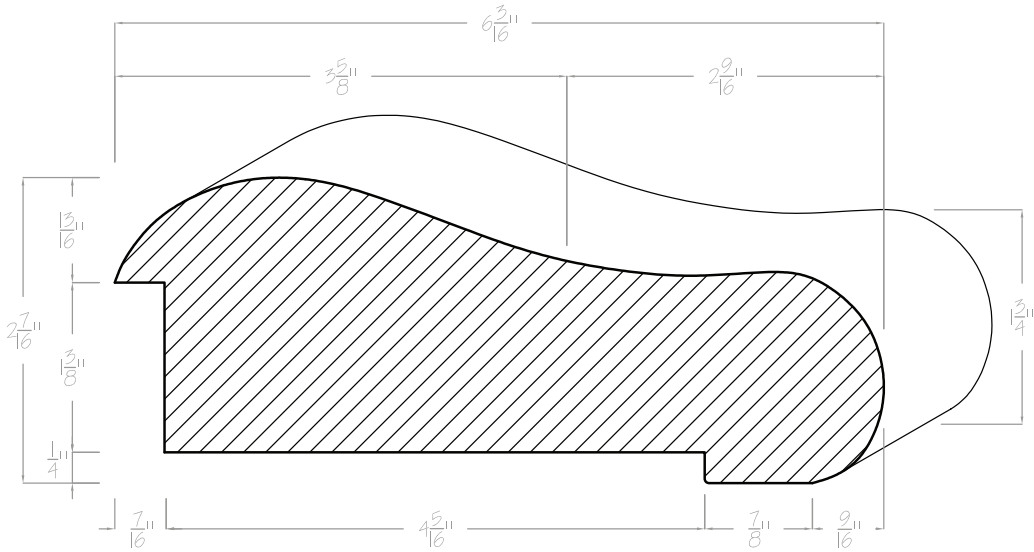
C-852



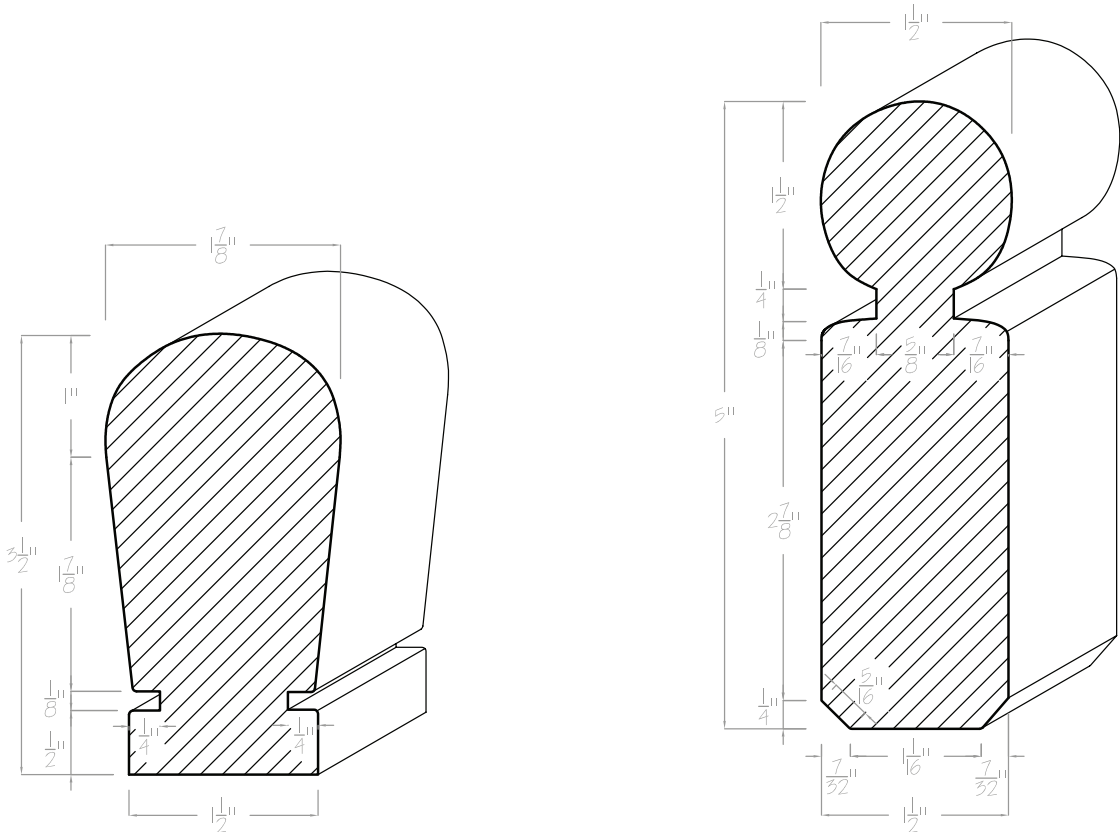
C-853



C-854



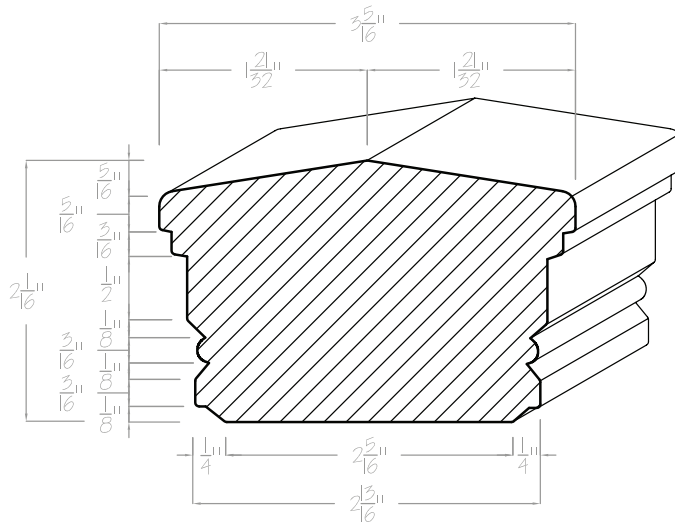
C-856



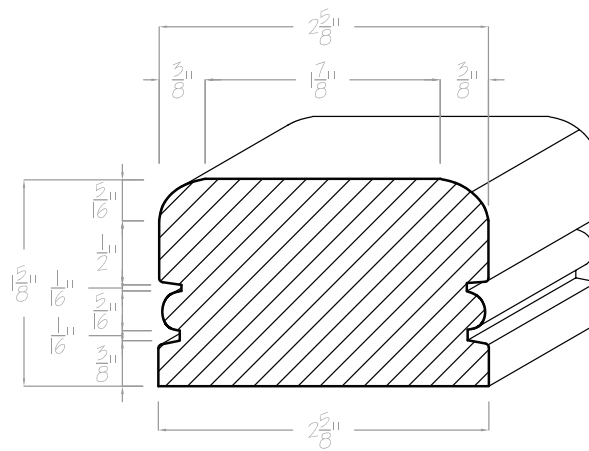
C-857

C-858

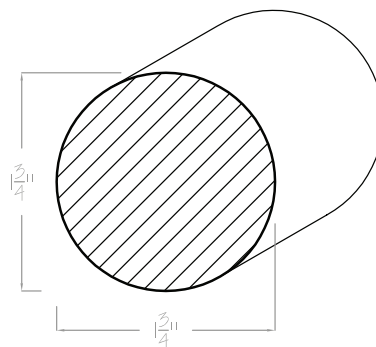
HANDRAIL



C-859



C-860



C-861