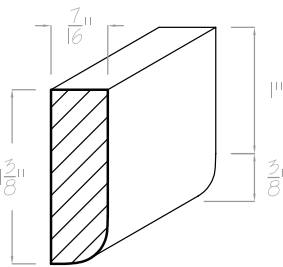
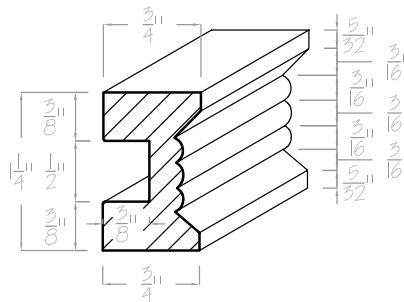


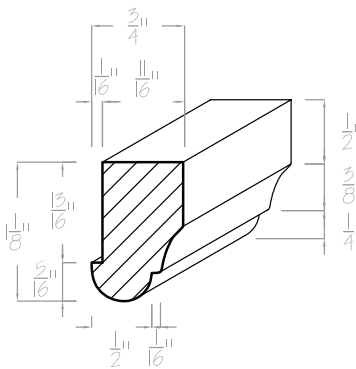
S-501



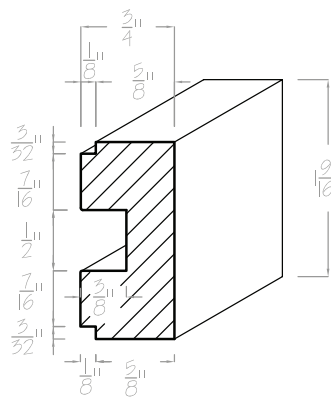
S-502
DOOR STOP



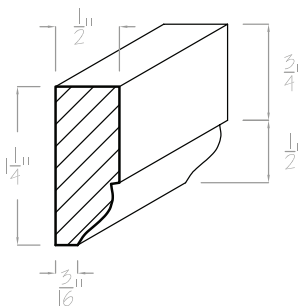
C-507



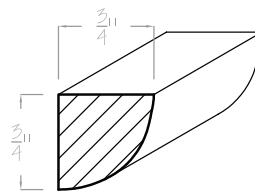
S-504



C-508

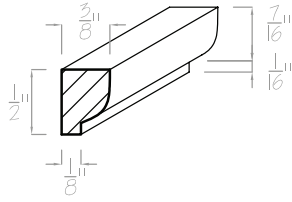


C-505
DOOR STOP

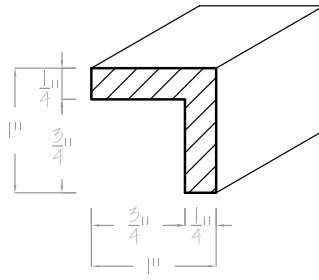


S-509
QUARTER ROUND
(S-509A: 1/2" x 1/2")
(S-509B: 3/16" x 1/4")

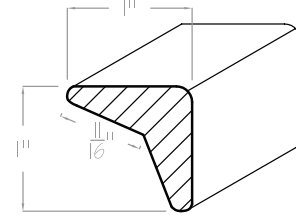
MISC. MOLDING



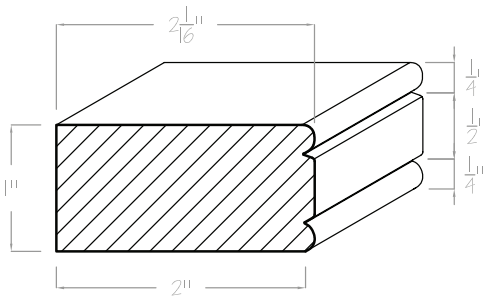
S-510
GLASS STOP



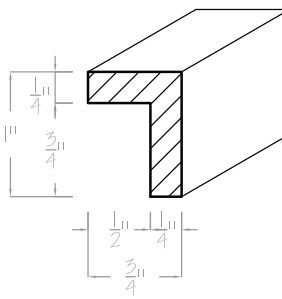
S-513B
OUTSIDE CORNER



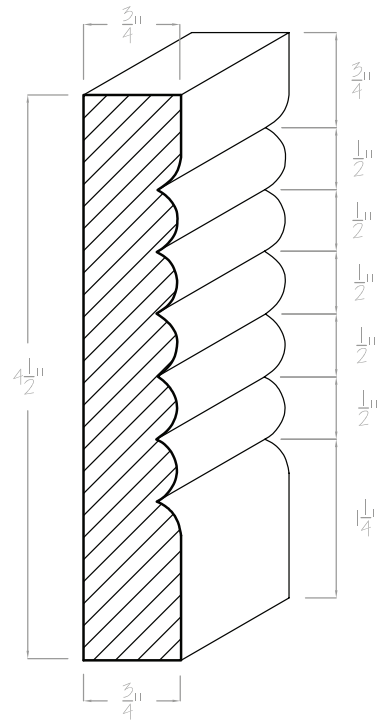
S-515
45 DEGREE
OUTSIDE CORNER



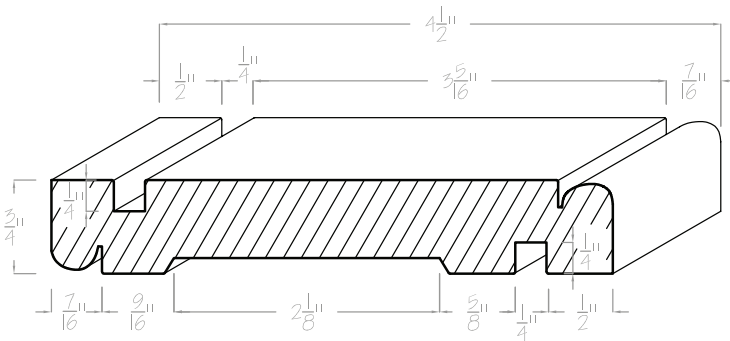
S-511
UNDER CABINET MOLDING



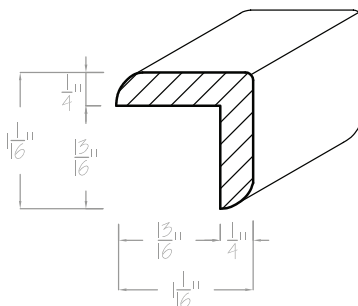
S-513F
OUTSIDE CORNER



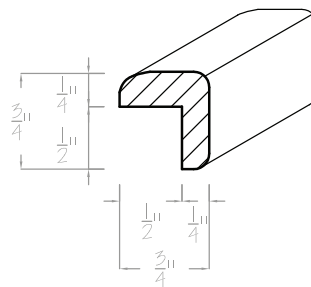
C-516



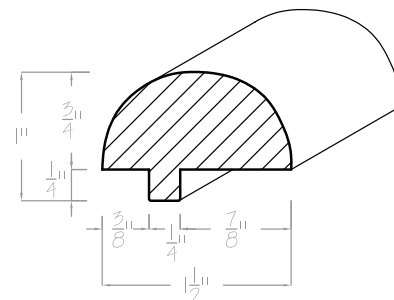
S-512
REVERSIBLE FREIZE BOARD



S-513
OUTSIDE CORNER

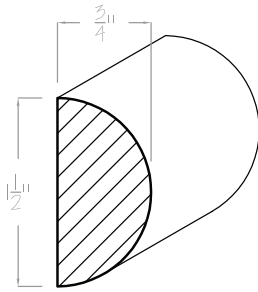


S-514
OUTSIDE CORNER

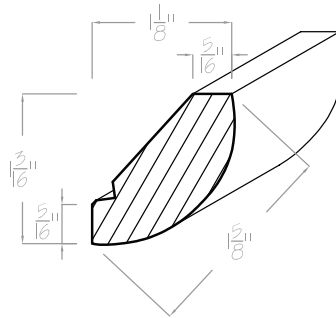


C-517

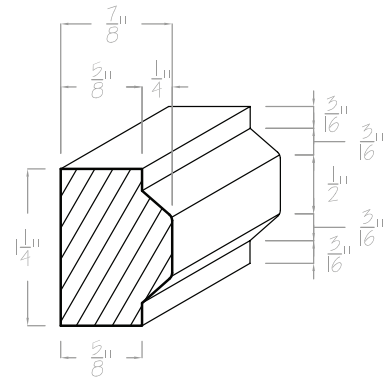
MISC. MOLDING



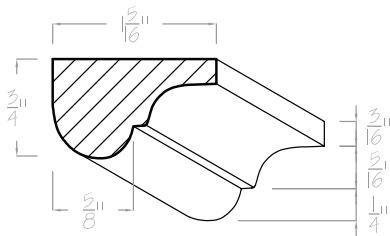
S-518
HALF ROUND



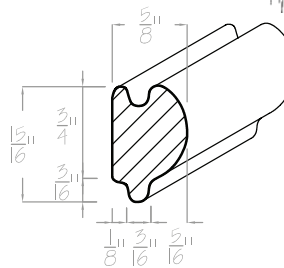
C-523



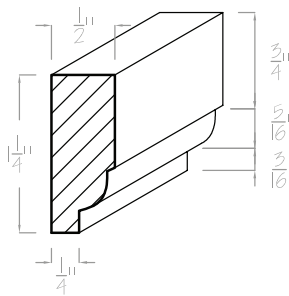
C-527



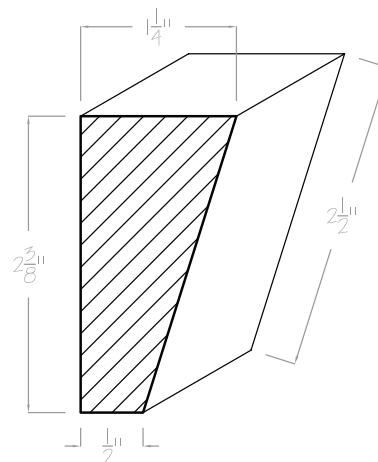
S-519



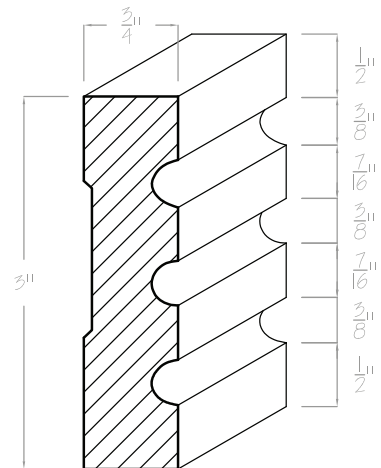
C-524
ROLLTOP



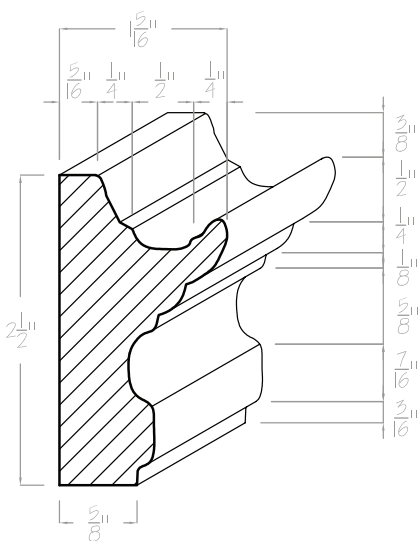
S-520
DOOR STOP



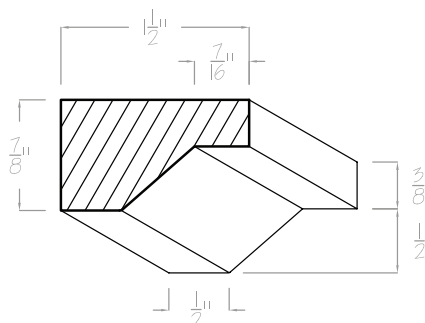
C-525



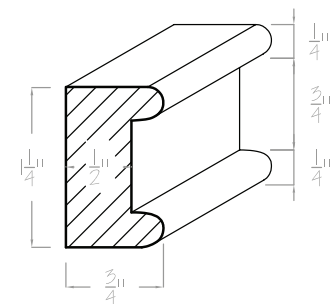
C-530



C-522
PICTURE RAIL / PLATE RAIL
(WALL MOUNT)

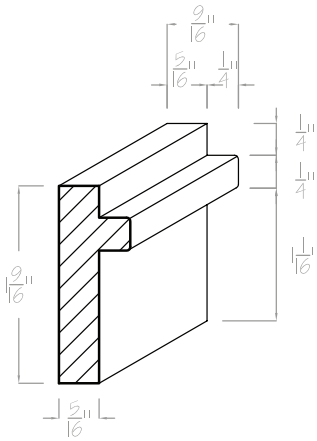


C-526

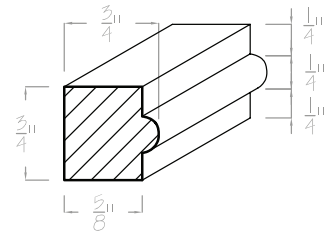


C-531
(FOR 3/4" ROPE APPLICATION)

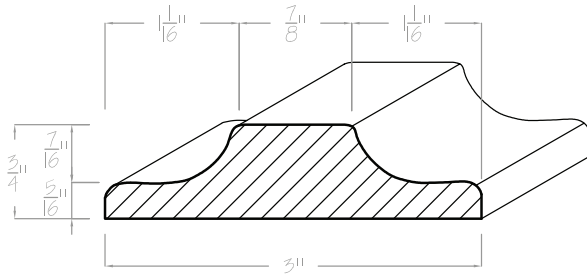
MISC. MOLDING



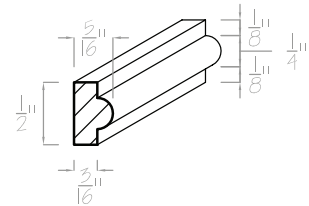
C-532
COUNTER TOP RAIL



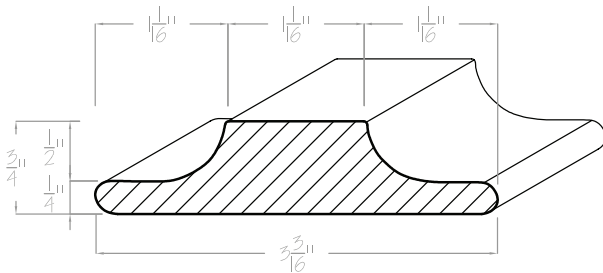
S-537



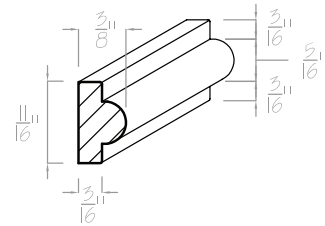
S-533
STEM GLASS RACK



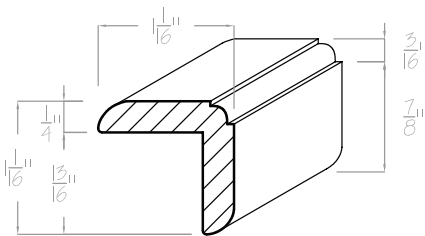
S-537A



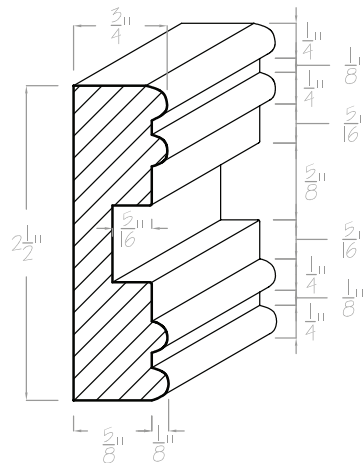
S-533A
STEM GLASS RACK



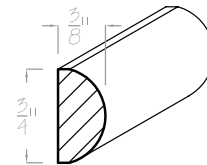
S-537B



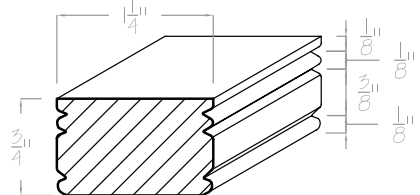
S-534
OUTSIDE CORNER
WITH BEAD



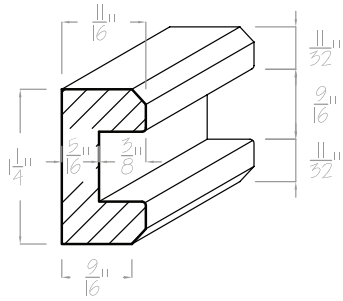
C-536



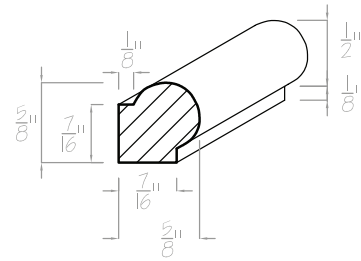
S-538



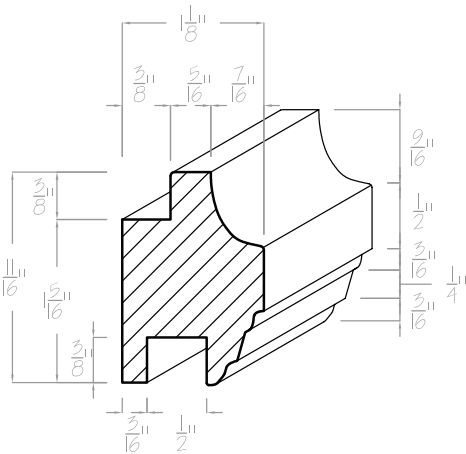
C-539



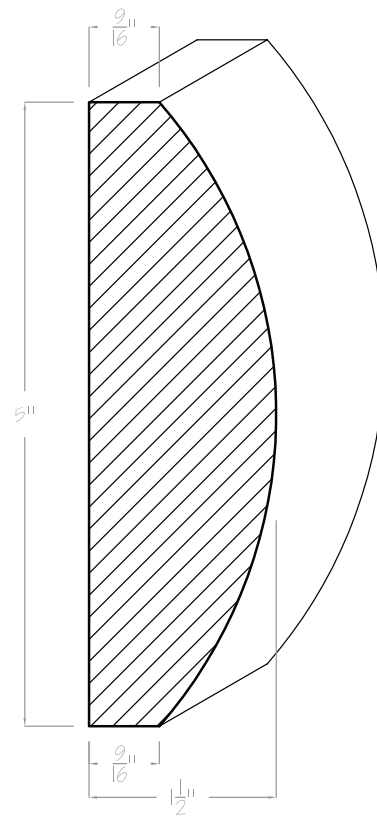
C-540



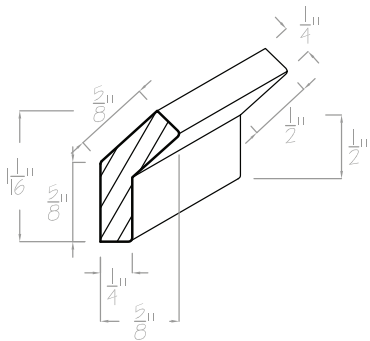
S-543



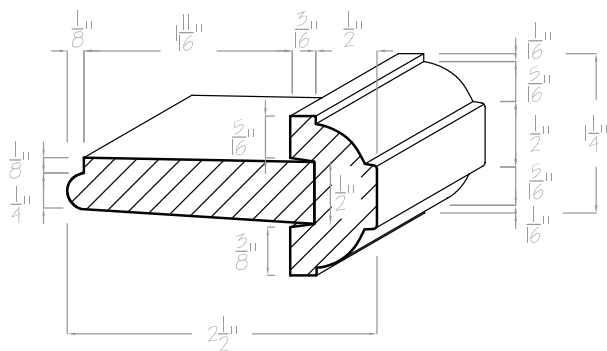
C-541



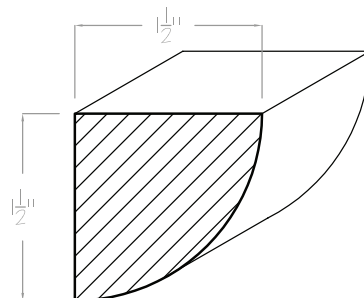
C-544



S-542

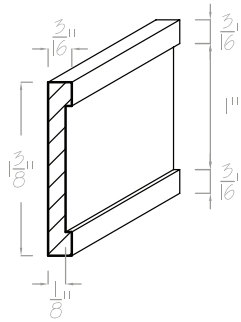


C-545
2-PIECE MOLDING

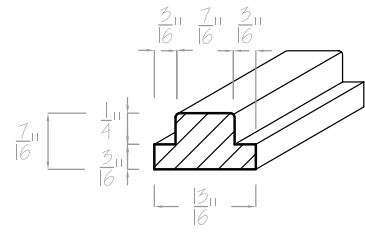


C-546

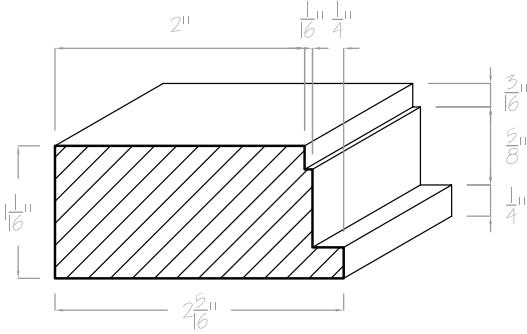
MISC. MOLDING



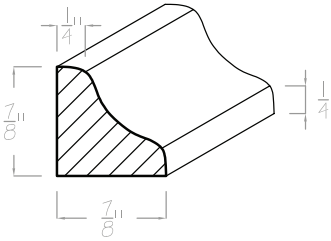
S-551



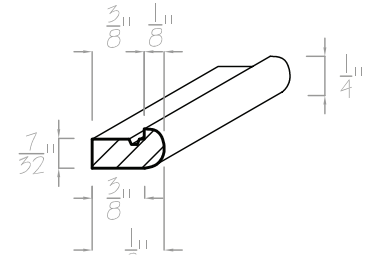
S-557



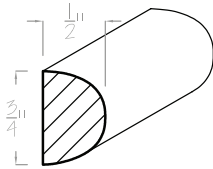
C-547



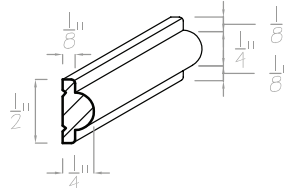
S-552
SHOE MOLDING



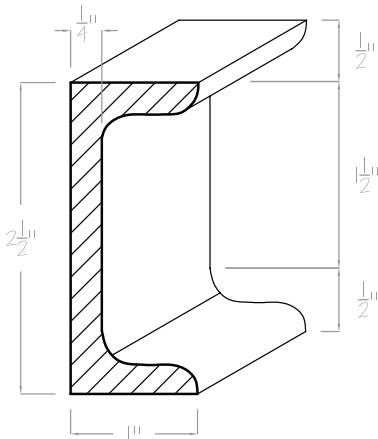
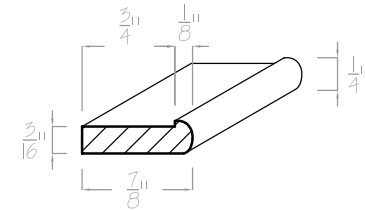
S-559



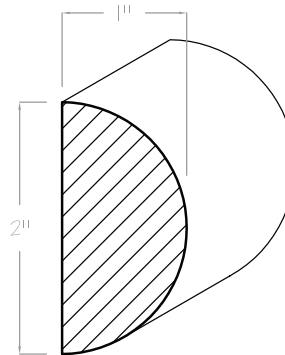
S-548



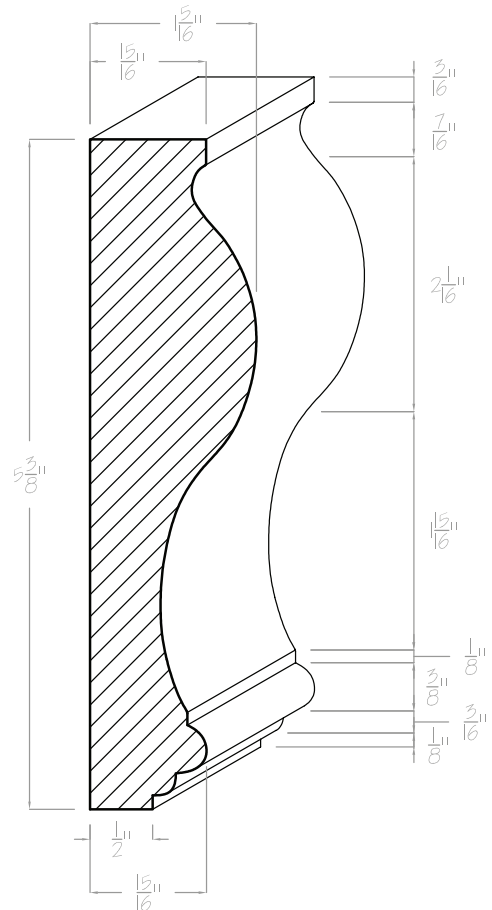
S-553



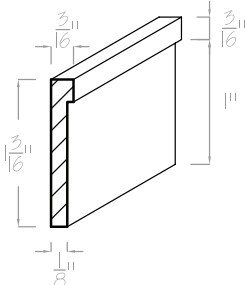
C-549



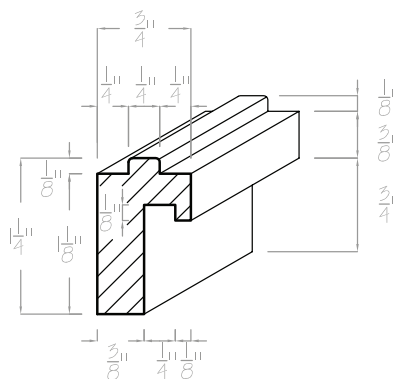
S-555
HALF ROUND



C-560

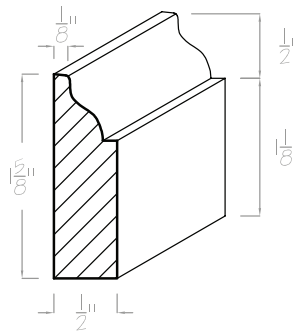


S-550

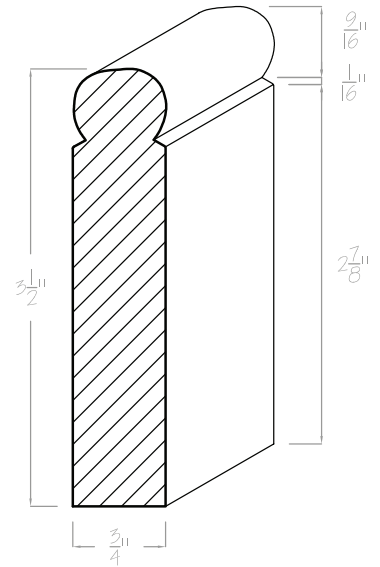


C-556

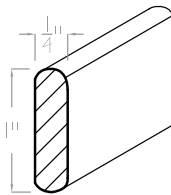
MISC. MOLDING



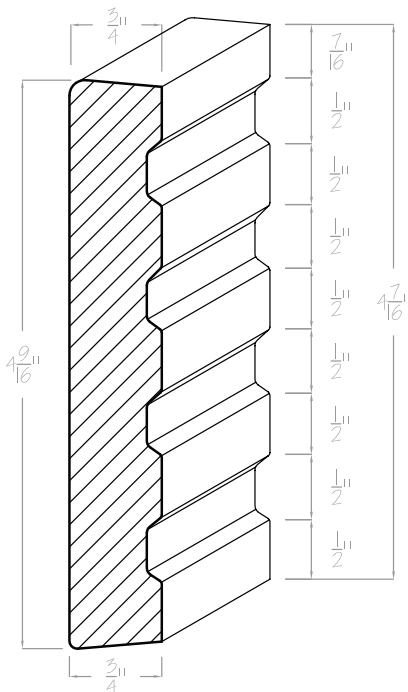
S-563A



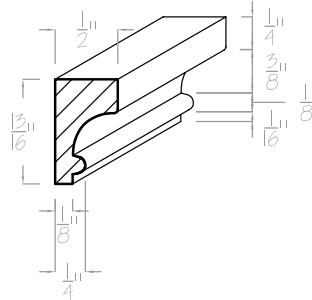
C-567



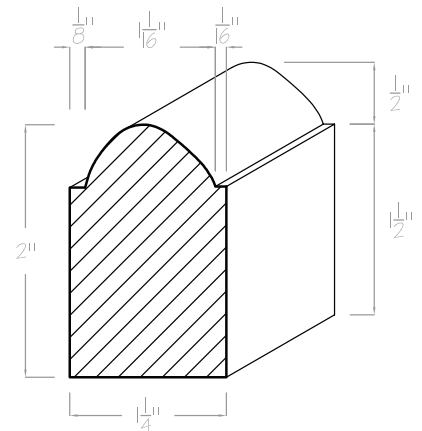
S-564



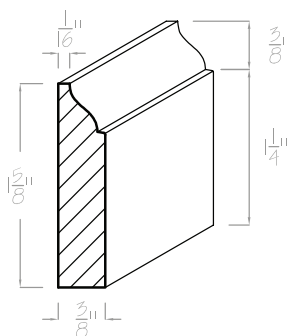
S-562



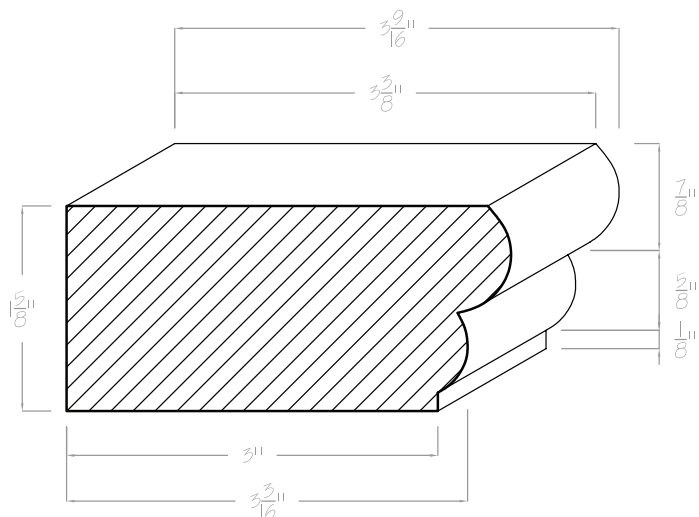
S-565



C-568

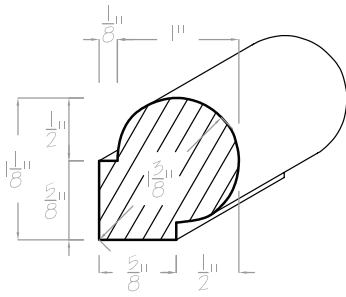


S-563

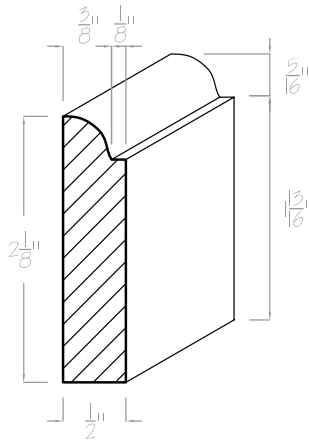


C-566

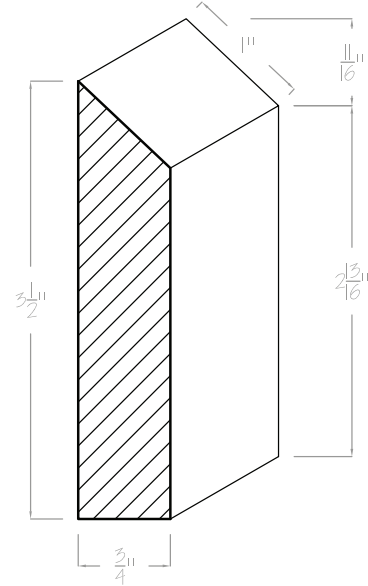
MISC. MOLDING



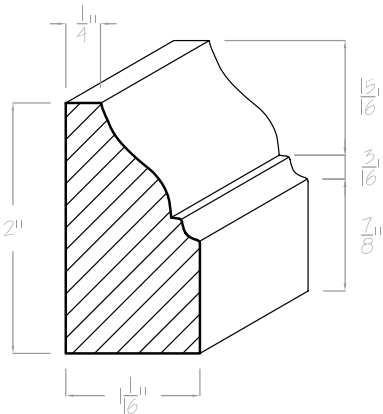
C-569



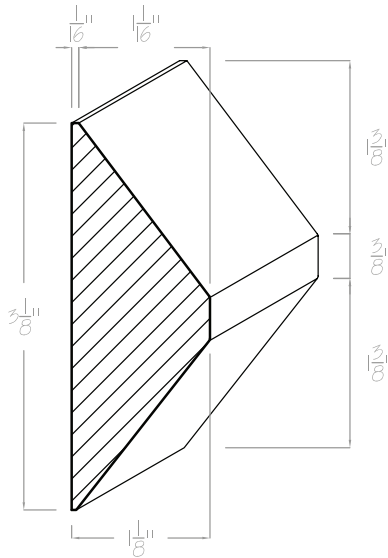
C-573



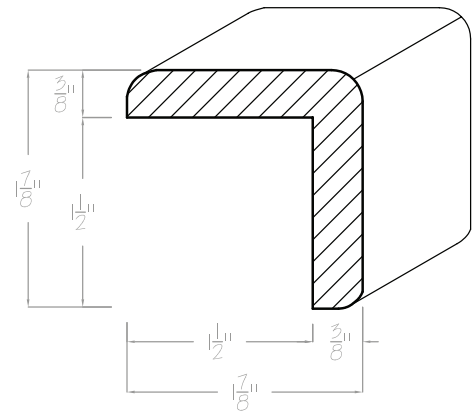
C-576



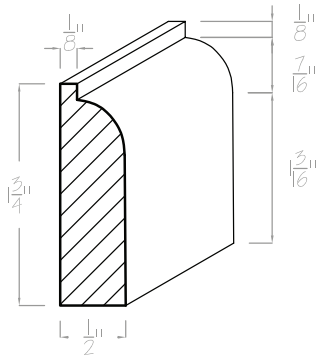
C-570



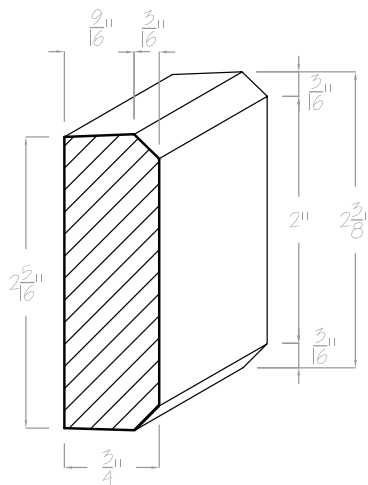
C-574



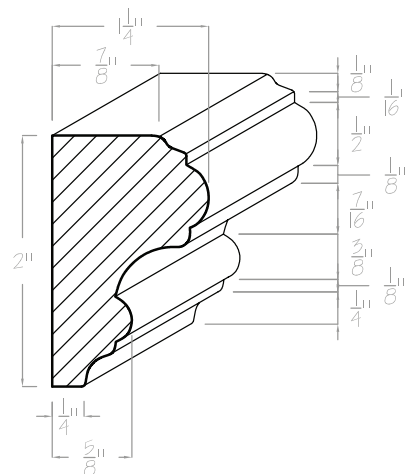
S-577



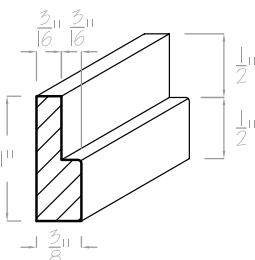
C-571



C-575

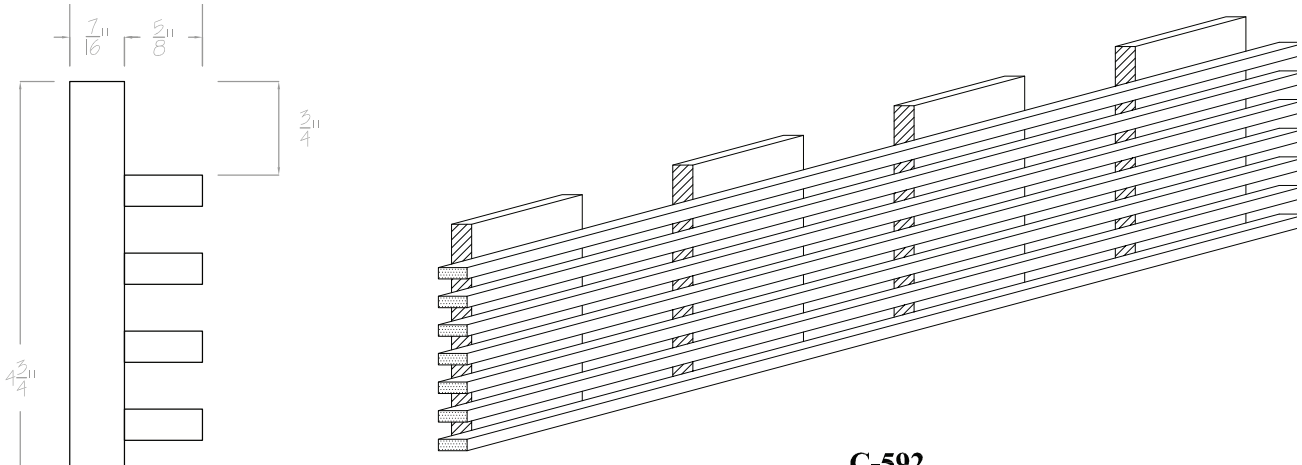


C-578

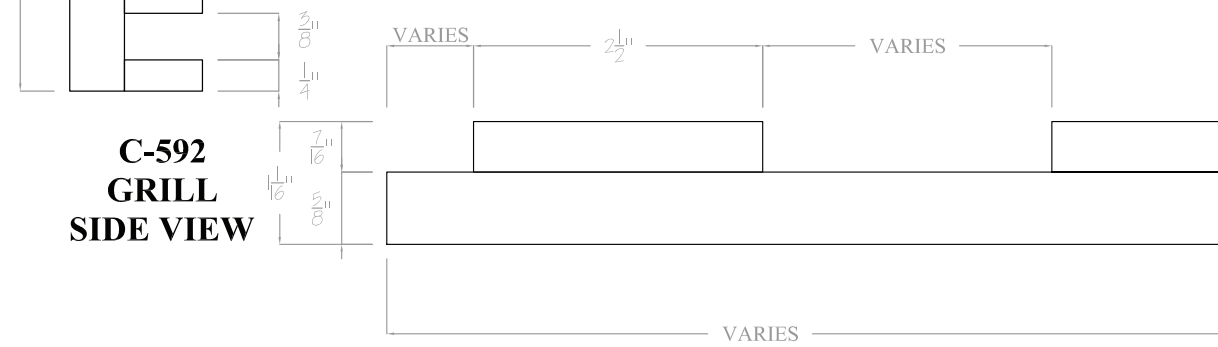


C-572

MISC. MOLDING

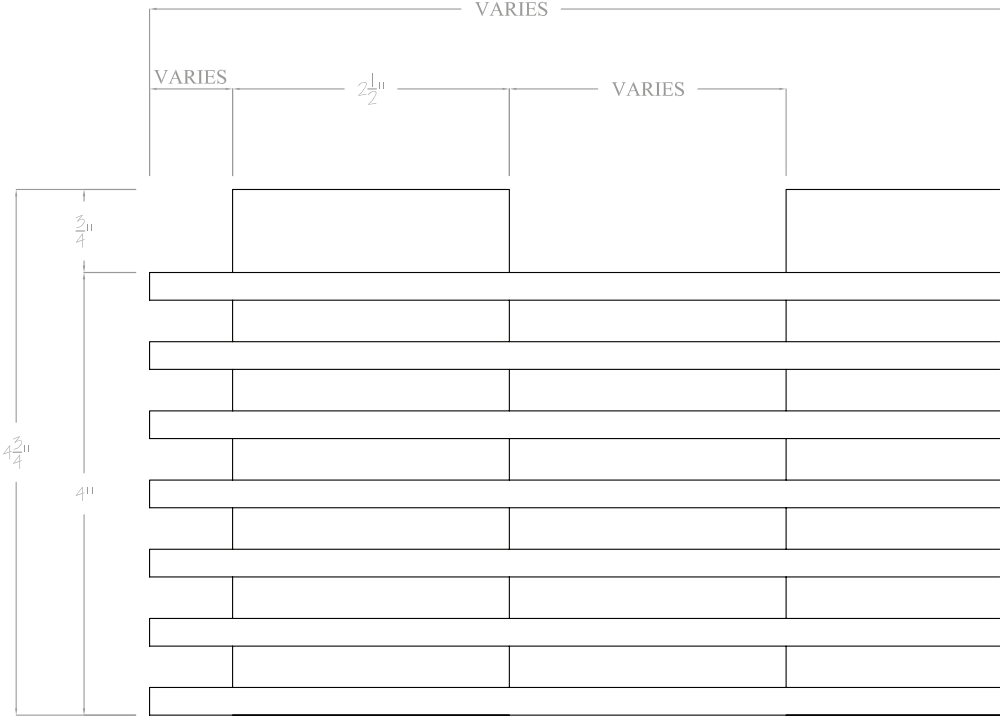


**C-592
GRILL - 3D FRONT VIEW**

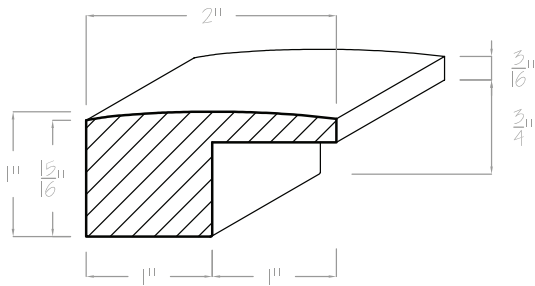


**C-592
GRILL
SIDE VIEW**

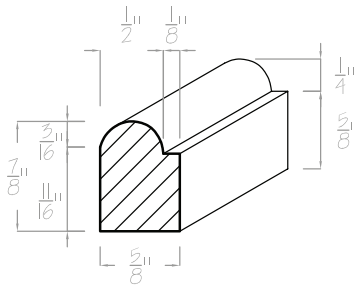
**C-592
GRILL - TOP VIEW**



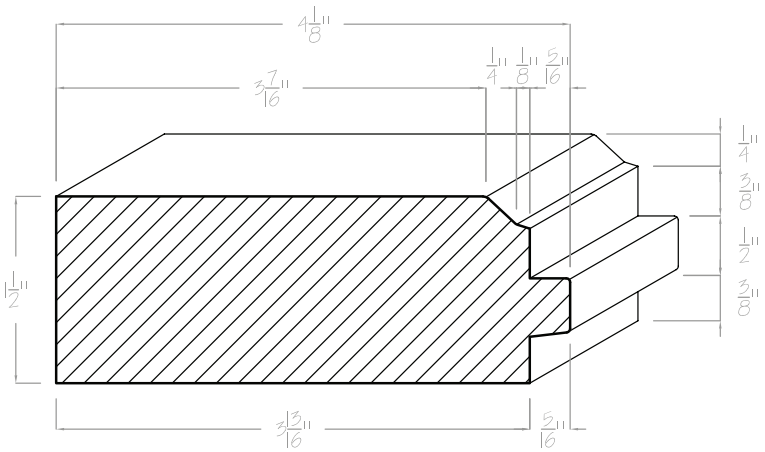
**C-592
GRILL - FRONT VIEW**



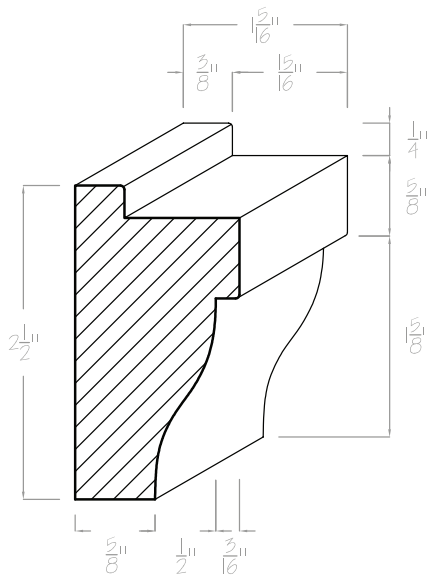
C-593



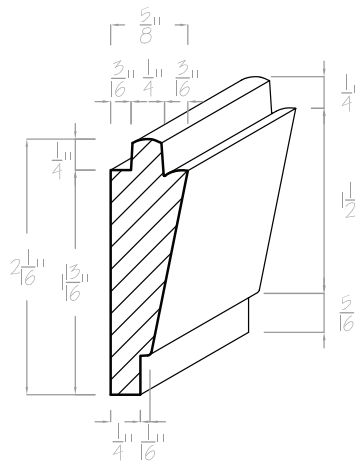
S-594



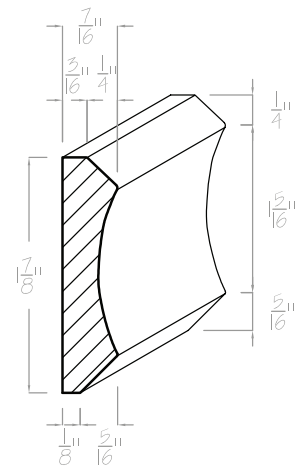
C-597



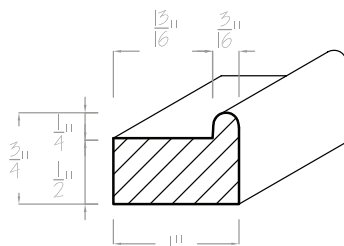
C-595



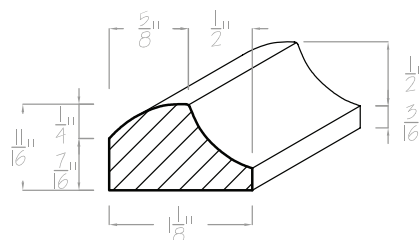
C-598



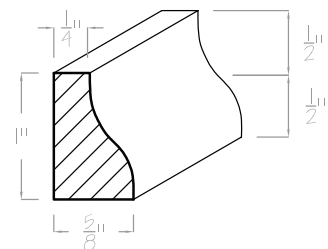
S-5000



C-596
SHELF EDGE

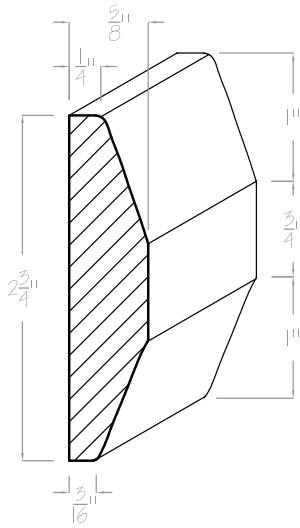


S-599

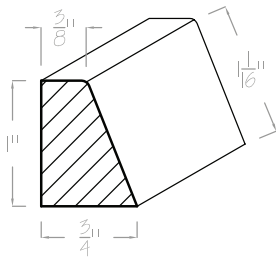


S-5001

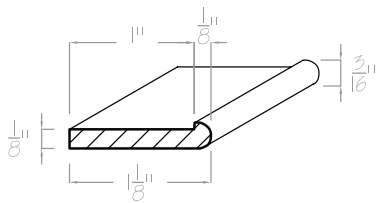
MISC. MOLDING



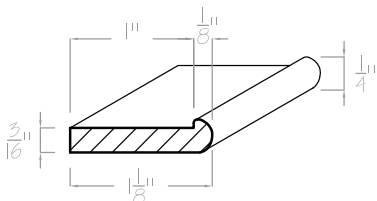
C-5003



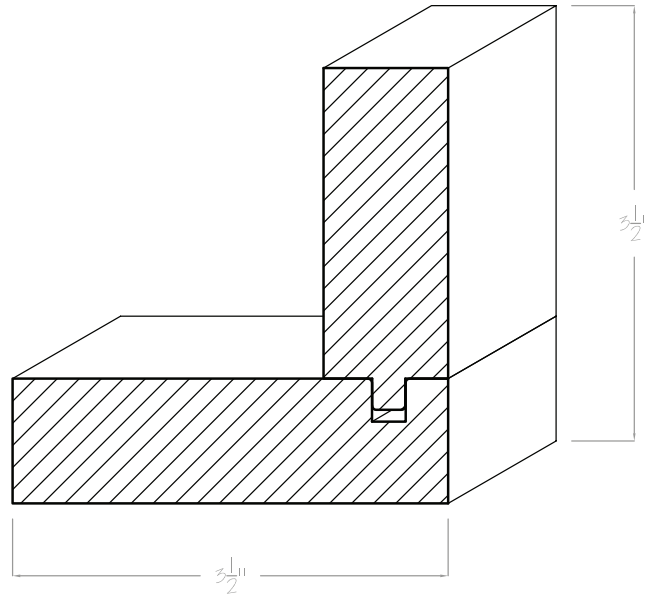
C-5003A



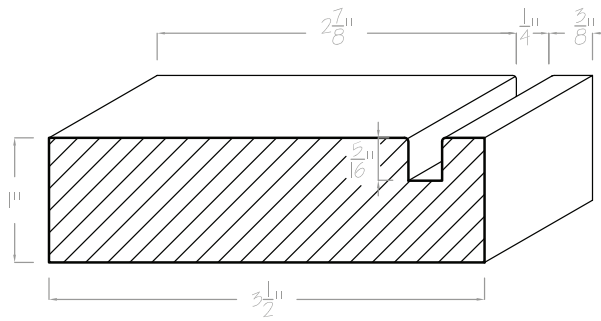
C-5004A



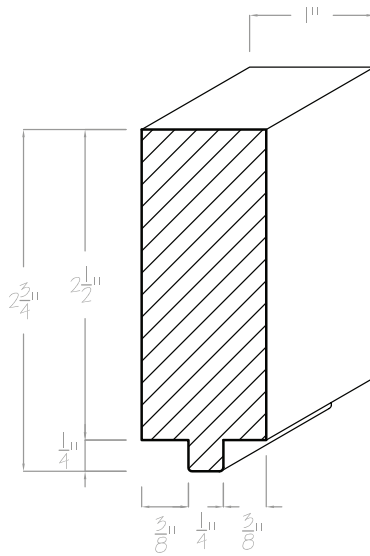
C-5004B



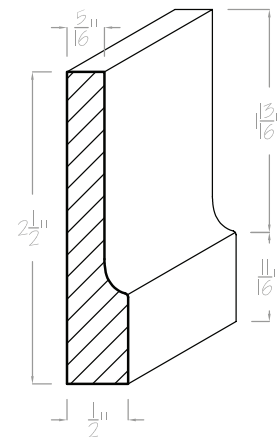
**C-5006/C-5006A
COMBO**



C-5006

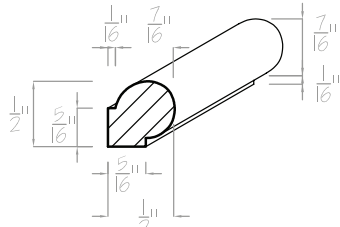


C-5006A

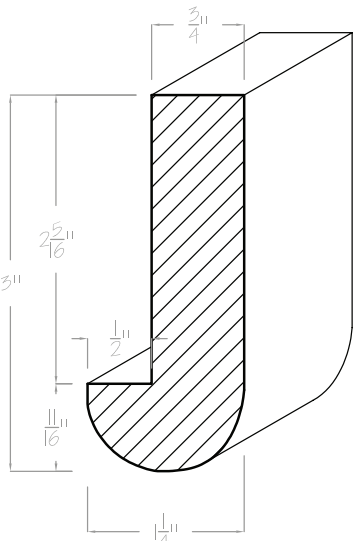


C-5007

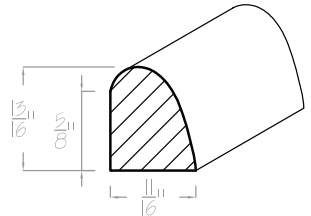
MISC. MOLDING



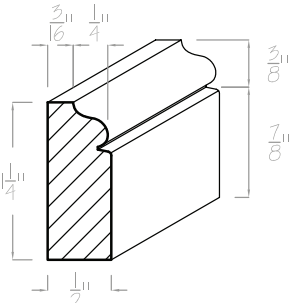
C-5008



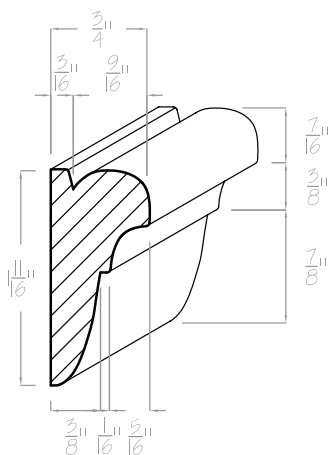
S-5013



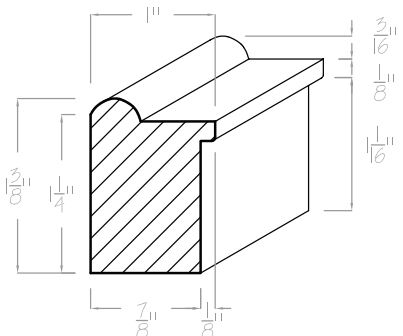
C-5018



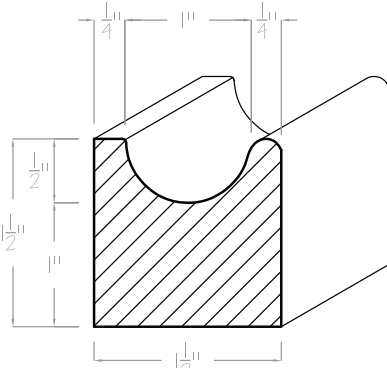
C-5009



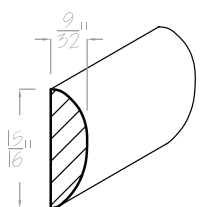
C-5014



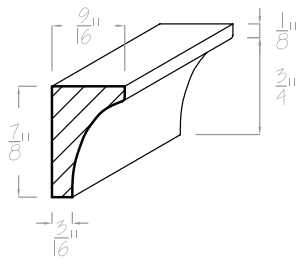
C-5019



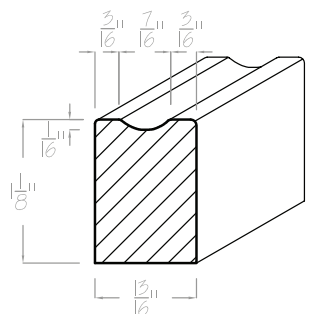
C-5010



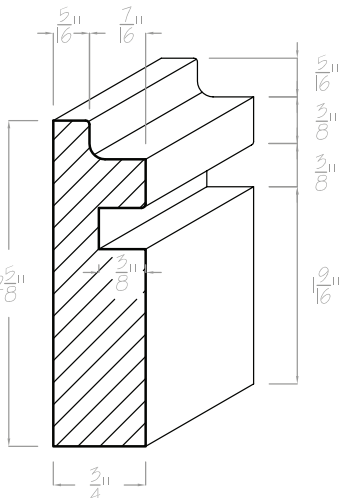
C-5021



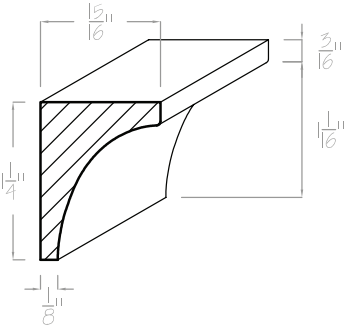
C-5016



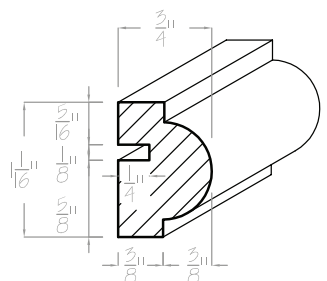
C-5022



C-5011

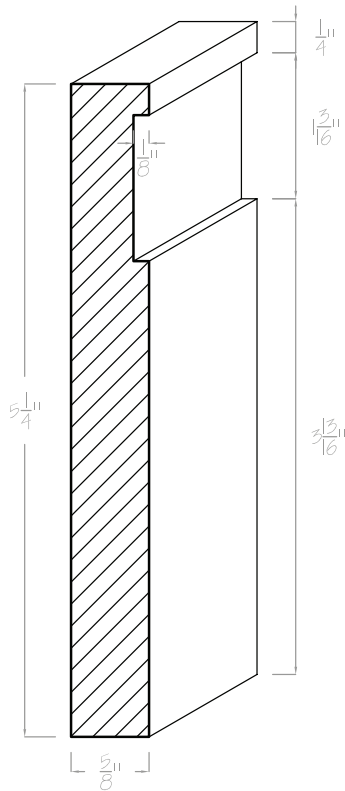


C-5017

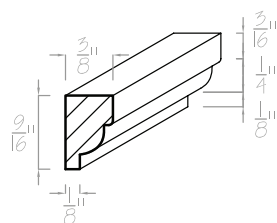


C-5023

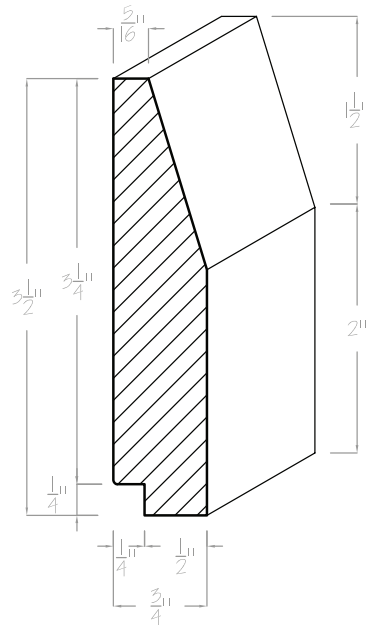
MISC. MOLDING



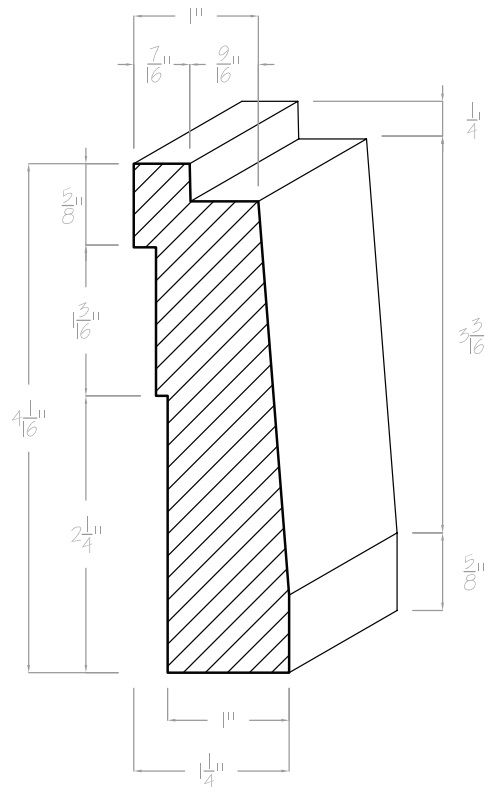
C-5033



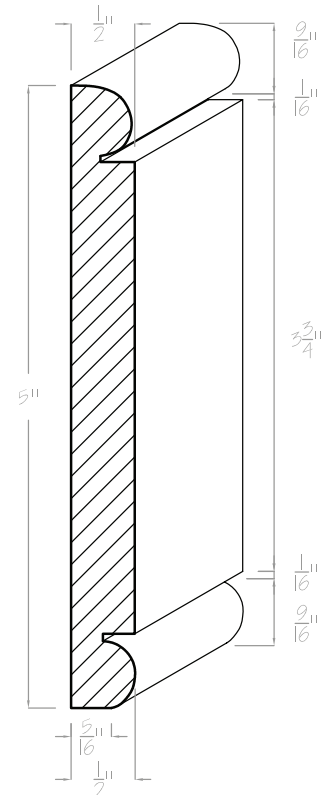
C-5034



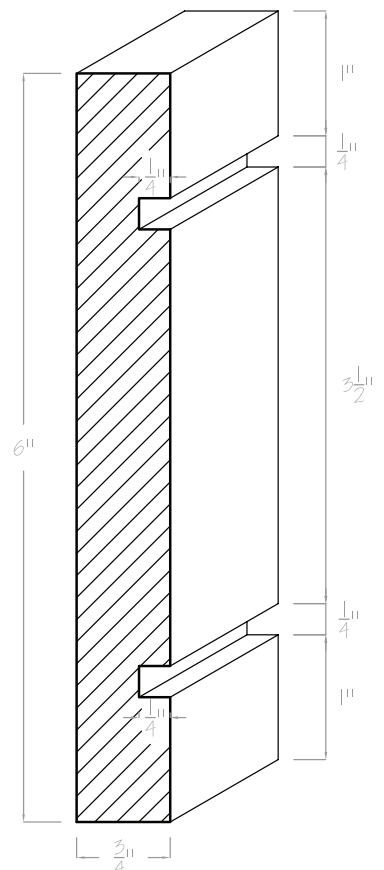
C-5035



C-5036

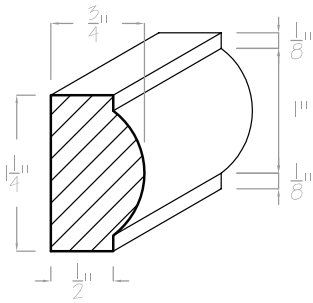


C-5038

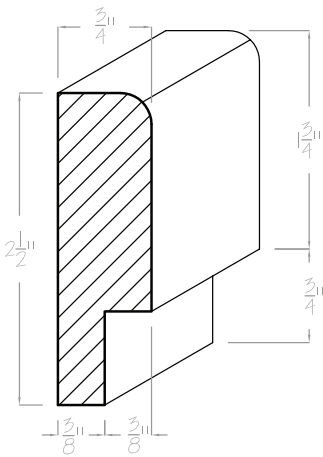


C-5039

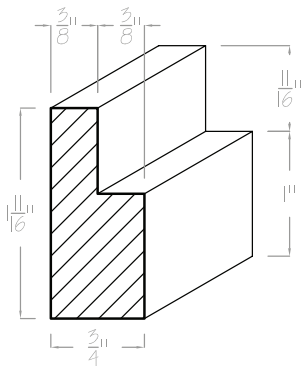
MISC. MOLDING



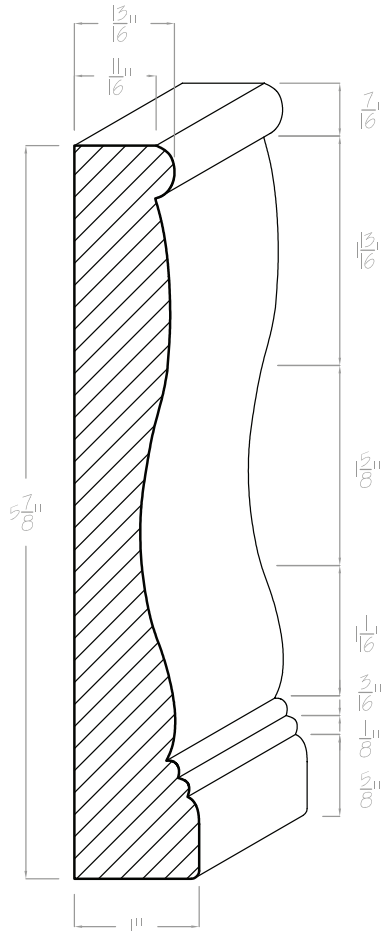
C-5041



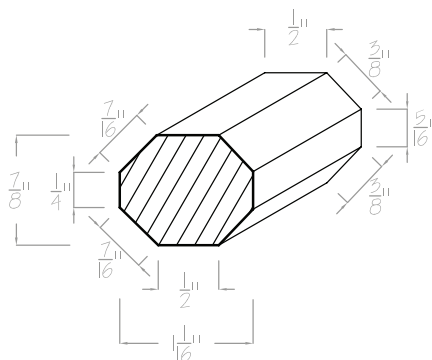
C-5042



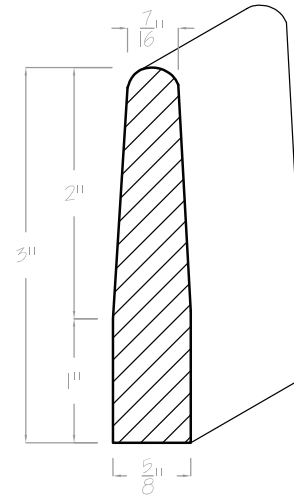
C-5043



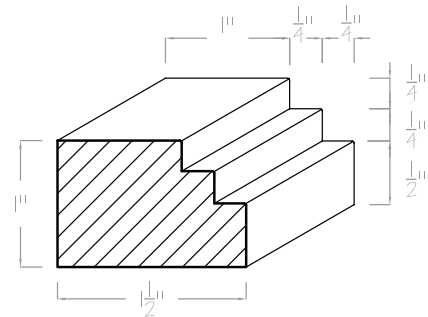
C-5044



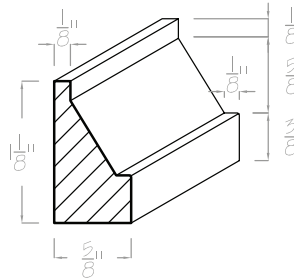
C-5045



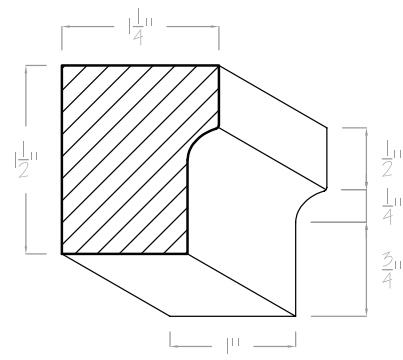
C-5046



C-5048



C-5050



C-5051